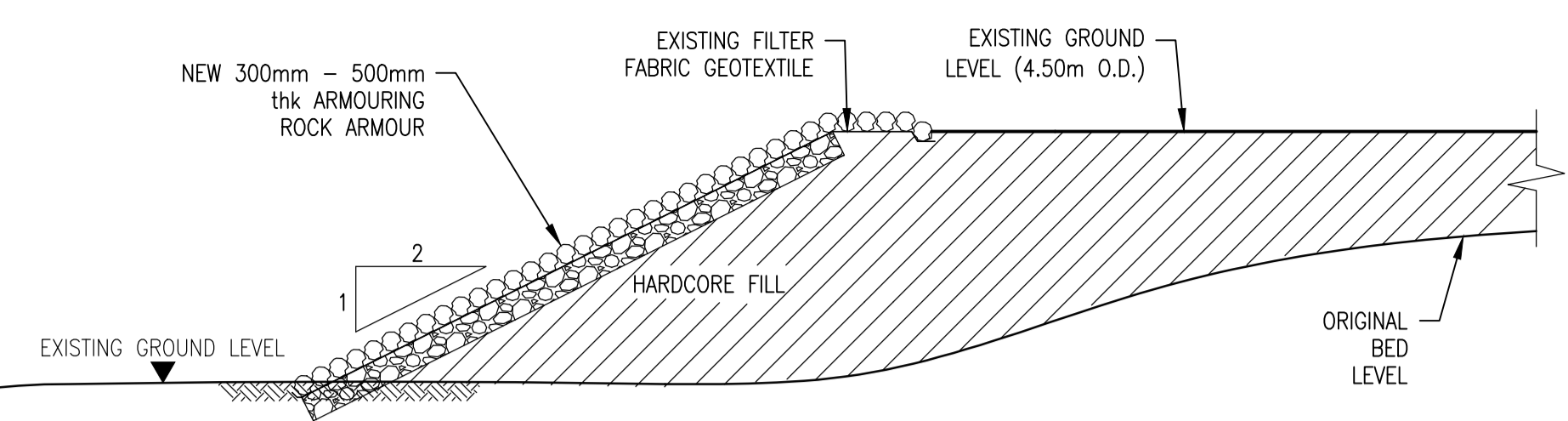


TIDE BAR

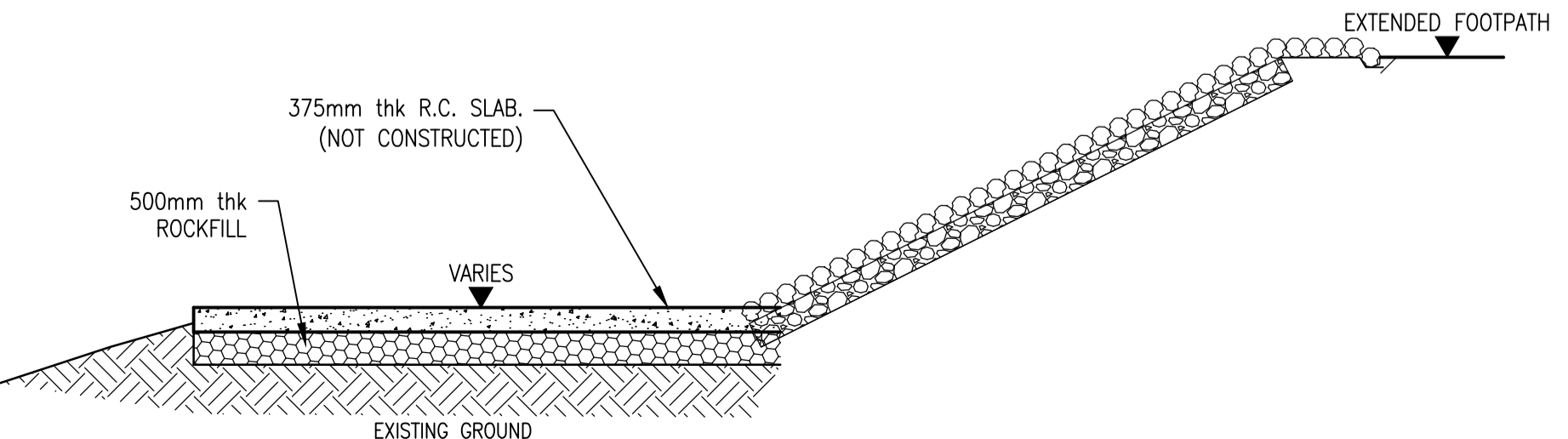
+2.58m O.D.	H.A.T.
+1.28m O.D.	M.H.W.S.
+1.98m O.D.	M.H.W.N.
0.0m	
-0.62m O.D.	M.L.W.N.
-1.32m O.D.	M.L.W.S.



- KEY:
- EXISTING SLIPWAY
 - EXTENDED ROCK ARMOUR
 - EXTENDED SLIPWAY
 - FOOTPATH
 - NEW SLIPWAY
 - M.H.W.S.

TIDE BAR

+2.58m O.D.	H.A.T.
+1.28m O.D.	M.H.W.S.
+1.98m O.D.	M.H.W.N.
0.0m	
-0.62m O.D.	M.L.W.N.
-1.32m O.D.	M.L.W.S.



REV	DATE	REVISION DESCRIPTION	DRN	VER
THIS DRAWING IS COPYRIGHT . DO NOT SCALE FROM THIS DRAWING.				

Arch Henderson 1919

Civil Engineers
Structural Engineers
Principal Designers
Architects
Geotechnical services
Environmental services

142 St. Vincent Street, Glasgow G2 5LA.
Tel : 0141 227 3060 - Fax : 0141 248 9542
www.arch-henderson.co.uk - email : glasgow@arch-henderson.co.uk

Offices in : Aberdeen, Dundee, Falkland Islands, Glasgow, Inverness, Lerwick, Southampton, Storness and Thurso

PROJECT : SANDPOINT MARINA

TITLE : SANDPOINT MARINA PROJECT DRAWING - PLAN

DRAWN : RMcM	DATE : 26.03.19	VERIFIED : HA	APPROVED :
SCALE : (A1) AS SHOWN		DRAWING STATUS : DRAFT	
DRAWING No: 185045/001		REV: /	

COPYRIGHT RESERVED ©

SCALE 1:250



SCALE 1:500



DO NOT SCALE