

Figure 1 - Islay Admiralty Chart
Scale NTS

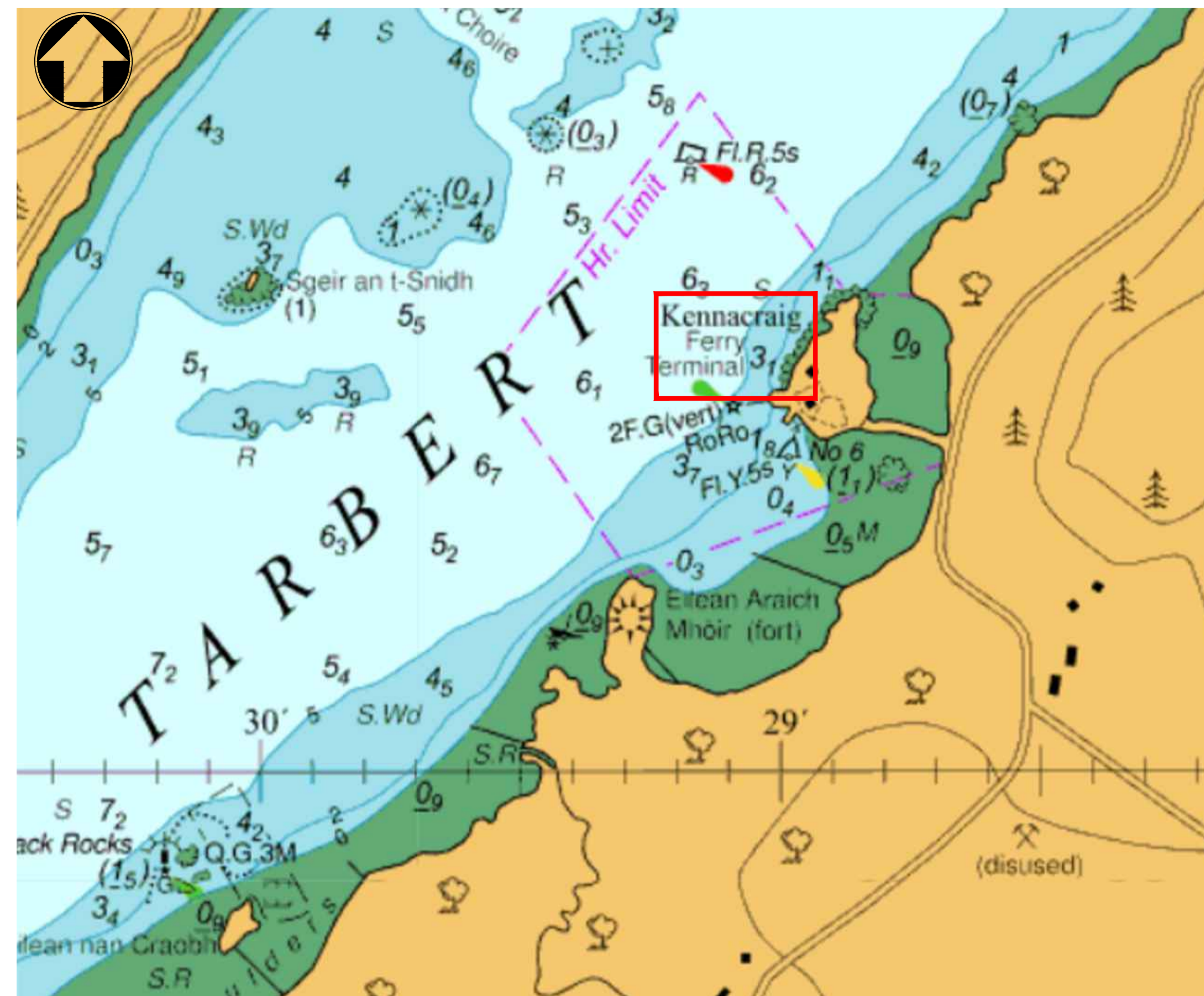


Figure 2 - Kennacraig Admiralty Chart
Scale NTS

New Islay Vessel Port Enabling Works - Kennacraig Detailed Design

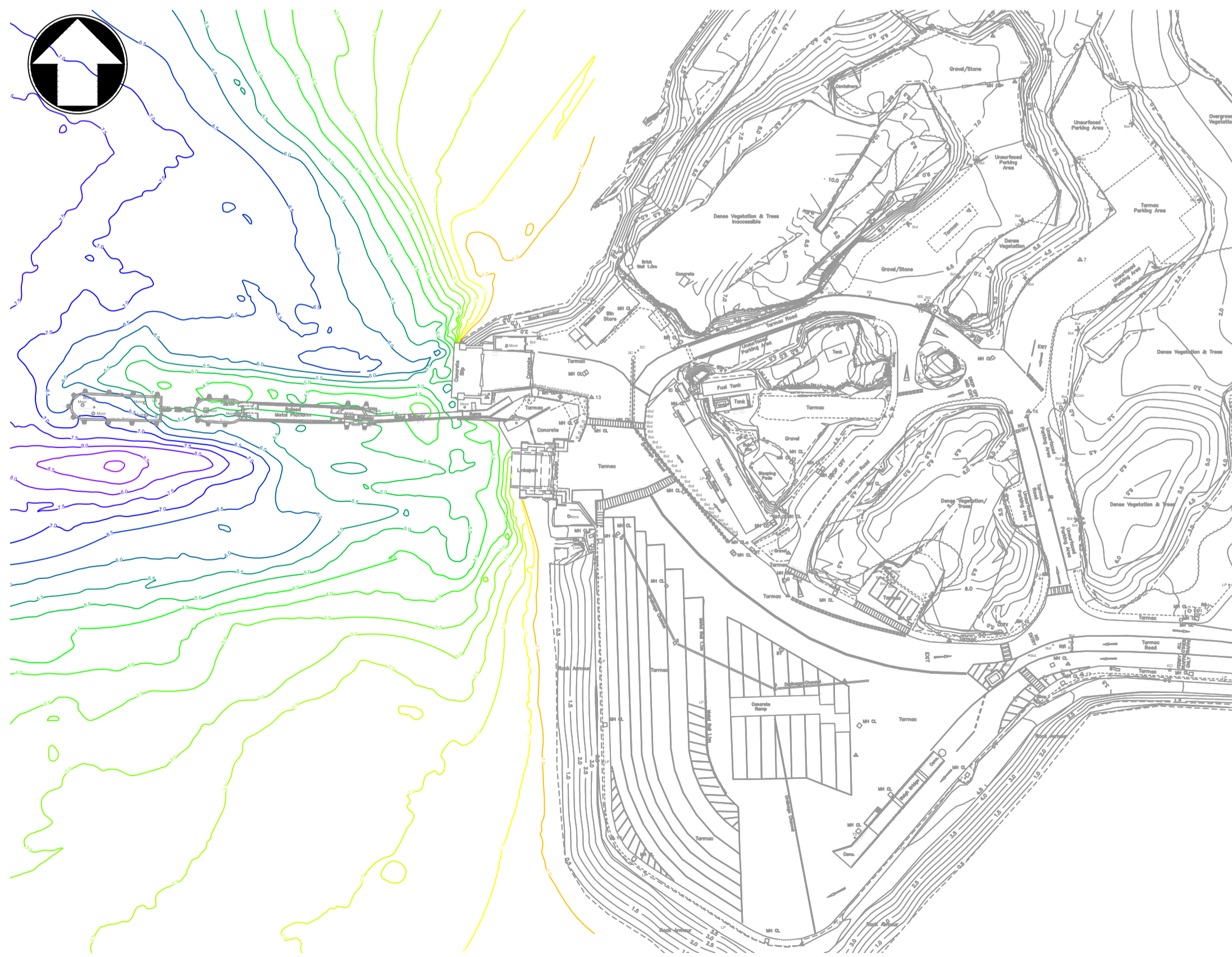


Figure 3 - Kennacraig Location Layout
Scale 1:1000

Drawing Title	Drawing Reference
Introductions - (0010)	
Location Plan & Drawing list	105612-MMD-KE-ZZ-DR-C-0010
Background - (0100)	
Exploratory Hole Location Plan	105612-MMD-KE-ZZ-DR-C-0100
Dredging Sampling Plan	105612-MMD-KE-ZZ-DR-C-0101
Bathymetric Survey	105612-MMD-KE-ZZ-DR-C-0110
Topographical Survey	105612-MMD-KE-ZZ-DR-C-0120
Existing Services	105612-MMD-KE-ZZ-DR-C-0130
Boundaries & Interfaces	105612-MMD-KE-ZZ-DR-C-0140
Boundaries & Interfaces Harbour limits	105612-MMD-KE-ZZ-DR-C-0141
Existing Structures	105612-MMD-KE-ZZ-DR-C-0150
Demolition - (0200)	
General Arrangement Demolition - Offshore	105612-MMD-KE-ZZ-DR-C-0200
General Arrangement Demolition - Onshore	105612-MMD-KE-ZZ-DR-C-0201
Inner Dolphin Demolition	105612-MMD-KE-ZZ-DR-C-0221
Infill Pier Demolition	105612-MMD-KE-ZZ-DR-C-0230
Middle Dolphin Demolition	105612-MMD-KE-ZZ-DR-C-0240
Outer Dolphin Demolition	105612-MMD-KE-ZZ-DR-C-0250
Fixed Ramp Demolition	105612-MMD-KE-ZZ-DR-C-0270
Civil General - (1000)	
General Arrangement and Setting out	105612-MMD-KE-ZZ-DR-C-1000
General Arrangement Construction Sequence	105612-MMD-KE-ZZ-DR-C-1020
Dredging - (1100)	
Dredging Plan	105612-MMD-KE-ZZ-DR-C-1100
Quay Furniture - (3000)	
Quay Furniture General Arrangement	105612-MMD-KE-ZZ-DR-C-3000
Fendering - (3100)	
Inner Dolphin Repair Details	105612-MMD-KE-ZZ-DR-C-3120
Inner Dolphin Fenders	105612-MMD-KE-ZZ-DR-C-3121
Infill Pier Fenders	105612-MMD-KE-ZZ-DR-C-3130
Middle Dolphin Fenders	105612-MMD-KE-ZZ-DR-C-3140
Outer Dolphin Fenders	105612-MMD-KE-ZZ-DR-C-3150
Wall B2 Fenders	105612-MMD-KE-ZZ-DR-C-3160

Shore Power - (3400)	
General Arrangement	105612-MMD-KE-ZZ-DR-C-3400
Plan & Section	105612-MMD-KE-ZZ-DR-C-3410
Cable Bridge (Onshore to inner Dolphin)	105612-MMD-KE-ZZ-DR-C-3440
Cable Bridge (Middle Dolphin to Outer Dolphin)	105612-MMD-KE-ZZ-DR-C-3450
Walls (4100)	
Low level wall General Arrangement A,B,C,D1,D2	105612-MMD-KE-ZZ-DR-C-4100
Low level wall A	105612-MMD-KE-ZZ-DR-C-4101
Sheet Pile Wall B	105612-MMD-KE-ZZ-DR-C-4102
Low level wall C & D	105612-MMD-KE-ZZ-DR-C-4103
Quay Walls Typical Construction Sequence	105612-MMD-KE-ZZ-DR-C-4110
Fixed Ramp - (7100)	
Fixed Ramp General Arrangement	105612-MMD-KE-ZZ-DR-C-7100
Fixed Ramp Precast Concrete Details	105612-MMD-KE-ZZ-DR-C-7130
Fixed Ramp RC Details	105612-MMD-KE-ZZ-DR-C-7140
Mechanical & Electrical - (9000)	
Electric Shore Power GA Sheet 1	105612-MMD-KE-ZZ-DR-E-9000
Electric Shore Power GA Sheet 2	105612-MMD-KE-ZZ-DR-E-9001
LV Schematic	105612-MMD-KE-ZZ-DR-E-9100
General Arrangement LV Switch Room	105612-MMD-KE-ZZ-DR-E-9200

- Notes
- All chainages are in metres.
 - All dimensions in millimetres unless noted otherwise.
 - All levels in metres relative to Chart Datum (mCD) unless noted otherwise.
 - DO NOT SCALE. Follow written dimensions only.
 - The Client accepts no liability for the accuracy of the topographical & bathymetric information provided.
 - The Contractor shall verify all dimensions, elevations, coordinates, and site conditions prior to execution.

Key to symbols

Reference drawings

External Drawings
Topographical Survey
Reference: A8287-CD
Date of Survey: 26.07.2022
Bathymetric Survey
Reference: A5390 2018-2019
Date of Survey: 22.11.2018

C01	17.03.23	CC	Tender Issue	BR	CO
Rev	Date	Drawn	Description	Ch'k'd	App'd

Status Stamp
TENDER

MOTT MACDONALD
St Vincent Plaza
319 St Vincent Street
Glasgow, G2 5LD
United Kingdom
T +44 (0)141 222 4500
F +44 (0)141 221 2048
W mottmac.com

Client
Caledonian Maritime Assets Limited
Municipal Buildings
Fore Street
Port Glasgow
PA14 5EQ



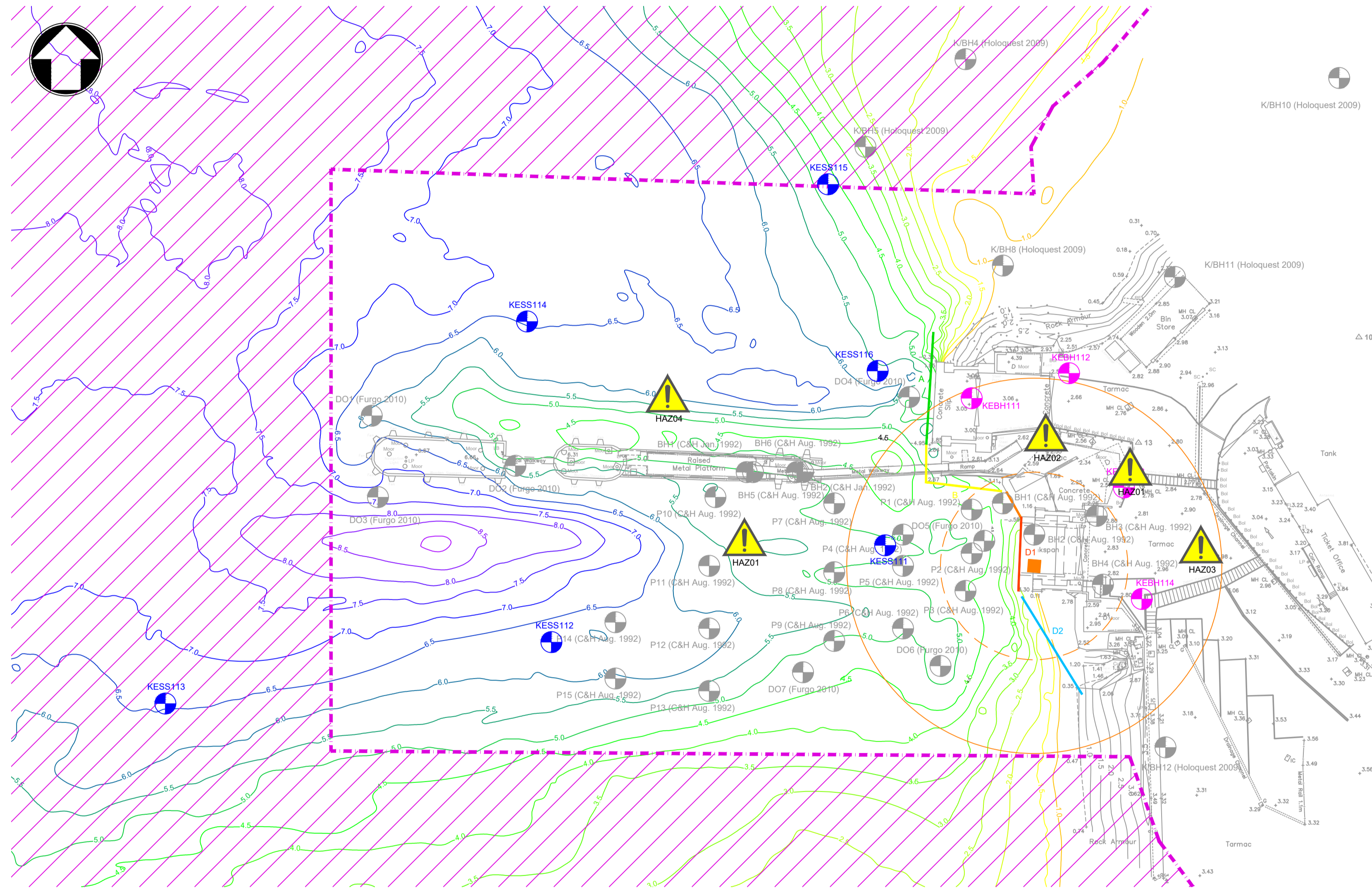
Title
New Islay Vessel Port Enabling Works
Kennacraig
Location Plan and Drawing List

Designed	B. Radcliffe	BR	Eng check	B. Radcliffe	BR
Drawn	J. Brown	JB	Coordination	G. Mather	GM
Dwg check	G. Mather	GM	Approved	C. Ohi	CO
MMD Project Number	105612	Scale at A1	As Shown	Security	STD
Suitability Description	Authorised and Accepted			Suit. Code	A1
Drawing Number	105612-MMD-KE-ZZ-DR-C-0010			Rev	C01



LAND BASED BOREHOLE LOCATION				
Name	As-Drilled Depth (m)	Eastings	Northings	Comments
KEBH111	14	181805.00	662542.81	
KEBH112	14	181820.57	662546.81	
KEBH113	14	181829.34	662528.54	
KEBH114	14	181832.22	662510.72	

SEABED SAMPLING LOCATION (Vibrocore)				
Name	As-Drilled Depth (m)	Eastings	Northings	Comments
KESS111	8	181791.15	662519.30	
KESS112	8	181737.76	662503.82	
KESS113	8	181676.00	662494.00	
KESS114	8	181733.85	662555.07	
KESS115	8	181782.01	662577.00	
KESS116	8	181789.94	662547.16	



Plan of Borehole Locations
Scale 1:500

HAZARD / RISK INFORMATION
<p> It is a requirement that only experienced and competent contractors carry out the work described, using a recognised safe method of working. The following are specific significant residual risks identified by the designer and are additional to those hazards/risks normally associated with this type of work.</p>
<p>CONSTRUCTION: HAZ01 - Live Port. Interface with other Port users including Port Operations, mooring lines, etc. HAZ02 - Weight Restrictions on Existing Structures HAZ03 - Public accessible areas HAZ04 - Berthing operations to continue during the works. Activities to be halted as agreed with CMAL & Harbour Master.</p>
<p>OPERATIONS: 02 - N/A</p>
<p>MAINTENANCE: 03 - N/A</p>
<p>DEMOLITION: 04 - N/A</p>
<p>FUTURE ANTICIPATED WORK: 05 - N/A</p>

- Notes
- This drawing should be read in conjunction with the New Islay Vessel Enabling Works Ground Investigation Specification (105612-MMD-00-ZZ-SP-G-0001).
 - All dimensions in millimetres unless noted otherwise.
 - All levels in meters relative to Chart Datum (m CD) unless noted otherwise.
 - Grid References provided are relative to Ordnance Survey.
 - DO NOT SCALE. Follow written dimensions only.
 - The Client accepts no liability for the accuracy of the topographic & bathymetric information provided.
 - The contractor shall verify all dimensions, elevations, co-ordinates and site conditions prior to execution.
 - For general notes refer to drawing 105612-MMD-KE-ZZ-0011.
 - The correlation between Chart Datum (CD) and Ordnance Datum (OD) at the site is 0.0m CD = -0.6m OD or +0.6m CD = 0.0m OD.
 - All exploratory hole positions shown are indicative and shall be confirmed on site by the Contractor in consultation with the Investigation Supervisor to suit site access constraints. Any deviation from the scheduled exploratory hole positions shown on this drawing shall be subject to agreement with the Investigation Supervisor, considering site restrictions and health, safety and environmental aspects.
 - Over-water boreholes to be undertaken from a cantilevered frame from the quayside.
 - All land based exploratory locations to be commenced by CAT Scan and an Inspection Pit.
 - As-built positions of all exploratory holes are to be surveyed and submitted in National Grid Co-ordinates and reduced levels relative to Ordnance Datum (OD) and Chart Datum (m CD) to within +/- 0.25m in plan and +/- 0.05m in elevation.
 - The Contractor shall be responsible for all permitting and notices associated with the works within the relevant area.
 - The contractor should refer to the Employers Pre-Construction Information for existing information for the site. The proposed ground investigations are subject to rigorous health and safety requirements in line with CDM 2015. The Contractor shall comply with the project's health, safety and welfare procedures and requirements set out by the Employer in the Pre-Construction Information and project specific Technical Specification.
 - Historical BGS records (NR39SE14876 etc) are available on the BGS Geolindex website, further details on all other historical investigation boreholes are provided within the New Islay Vessel Enabling Works Ground Investigation Specification (105612-MMD-00-ZZ-SP-G-0001).

Key to symbols

	As-Built Land Based Borehole Location
	As-Built Seabed Sampling Location (Vibrocore)
	Approximate Historical Exploratory Hole Locations
	Wall A - Low level secant pile wall to support exiting piles - into rock.
	Wall B - Sheet pile of infill sheet.
	Wall C - Low level secant pile wall to support exiting piles - into rock.
	Wall D1 - Low level secant pile wall to support exiting piles - into rock.
	Wall D2 - rock to stabilise the toe of the exiting revetment.
	Special Protection Area
	<Redacted>

Reference drawings

External Drawings:	
Topographical Survey	Reference: A8287-CD
	Date of Survey: 26.07.2022
Bathymetric Survey	Reference: A5390 2018-2019
	Date of Survey: 22.11.2018

AB	27/01/2023	CC	As Built	KW	CO
Rev	Date	Drawn	Description	Ch'k'd	App'd

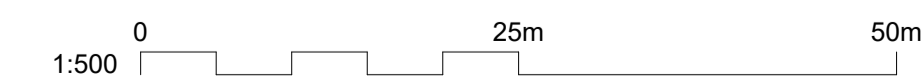
Status Stamp **FINAL DESIGN INTENT**

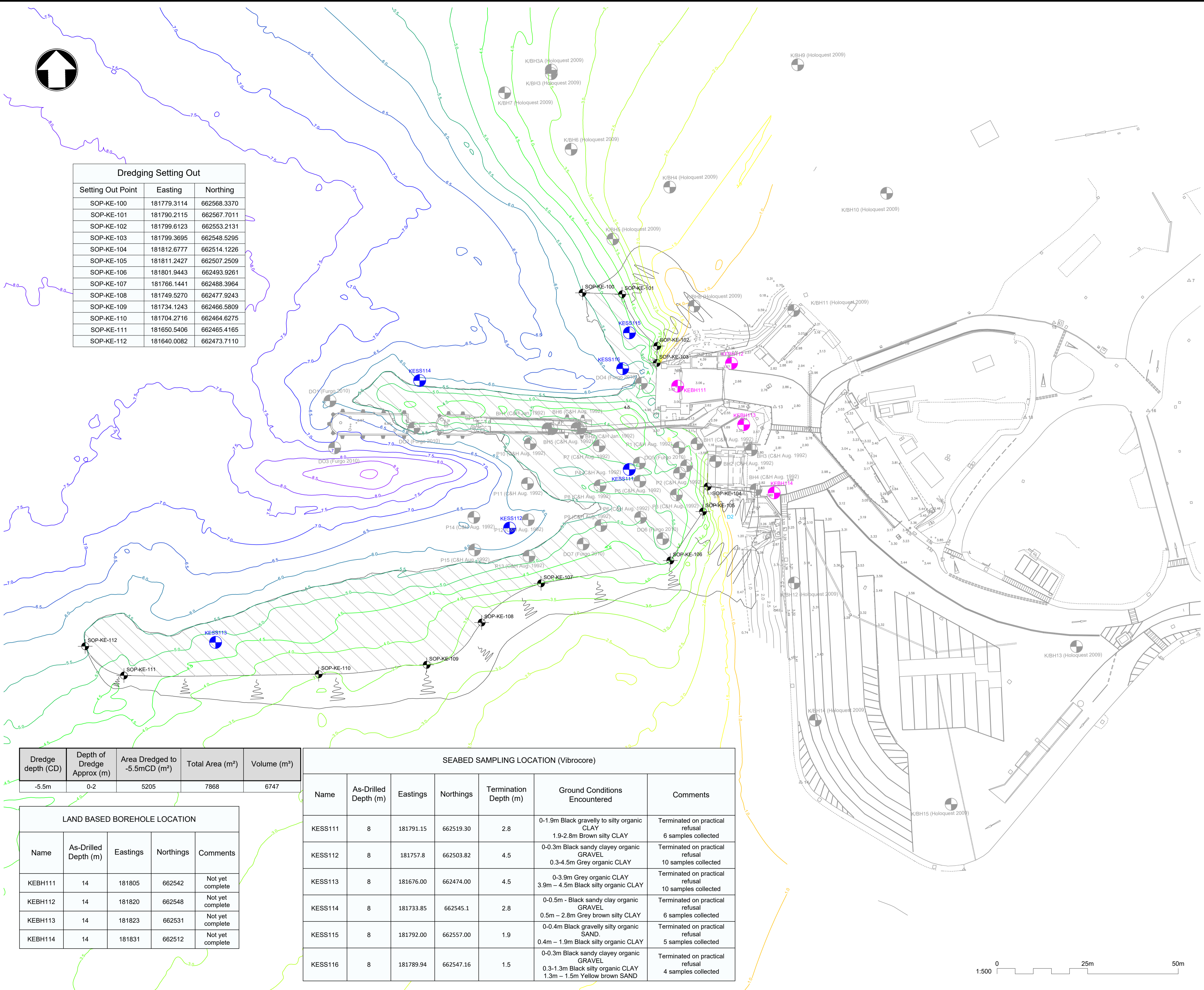
	St Vincent Plaza 319 St Vincent Street Glasgow, G2 5LD United Kingdom
	T +44 (0)141 222 4500 F +44 (0)141 221 2048 W mottmac.com

Client
Caledonian Maritime Assets Limited
 Municipal Buildings
 Fore Street
 Port Glasgow
 PA14 5EQ

Title
New Islay Vessel Port Enabling Works
Kennacraig
Exploratory Hole Location Plan

Designed	S. Eyers-Young	SEY	Eng check	K. Wells	KW
Drawn	L. Marini	LM	Coordination	G. Mather	GM
Dwg check	G. Mather	GM	Approved	C. Ohi	CO
MMD Project Number	105612	Scale at A3	1:1000	Security	STD
Suitability Description	As Built	Suit. Code	AB	Rev	AB
Drawing Number	105612-MMD-KE-ZZ-DR-C-0100				





Dredging Setting Out		
Setting Out Point	Easting	Northing
SOP-KE-100	181779.3114	662568.3370
SOP-KE-101	181790.2115	662567.7011
SOP-KE-102	181799.6123	662553.2131
SOP-KE-103	181799.3695	662548.5295
SOP-KE-104	181812.6777	662514.1226
SOP-KE-105	181811.2427	662507.2509
SOP-KE-106	181801.9443	662493.9261
SOP-KE-107	181766.1441	662488.3964
SOP-KE-108	181749.5270	662477.9243
SOP-KE-109	181734.1243	662466.5809
SOP-KE-110	181704.2716	662464.6275
SOP-KE-111	181650.5406	662465.4165
SOP-KE-112	181640.0082	662473.7110

- Notes
- All chainages are in metres.
 - All dimensions in millimetres unless noted otherwise.
 - All levels in metres relative to Chart Datum (mCD) unless noted otherwise.
 - DO NOT SCALE. Follow written dimensions only.
 - The Client accepts no liability for the accuracy of the topographical & bathymetric information provided
 - The Contractor shall verify all dimensions, elevations, coordinates, and site conditions prior to execution.
 - For general notes refer to drawing 105612-MMD-(")-ZZ-0011 (**) denotes field 3 Volume or system varies per project site CO, KE & PA.

Key to symbols

	Area Dredged to -5.5m C.D.
	-5.5m C.D. Dredge Area Setting Out Point
	-1.0m C.D. Contour
	-1.5m C.D. Contour
	-2.0m C.D. Contour
	-2.5m C.D. Contour
	-3.0m C.D. Contour
	-3.5m C.D. Contour
	-4.0m C.D. Contour
	-4.5m C.D. Contour
	-5.0m C.D. Contour
	-5.5m C.D. Contour
	-6.0m C.D. Contour
	-6.5m C.D. Contour
	-7.0m C.D. Contour
	-7.5m C.D. Contour
	-8.0m C.D. Contour
	-8.5m C.D. Contour
	-9.0m C.D. Contour
	Proposed Land Based Borehole Location
	Seabed Sampling Location (Vibrocore)
	Approximate Historical Exploratory Hole Locations

Reference drawings

External Drawings:
 Topographical Survey
 Reference: A63287-CD
 Date of Survey: 26.07.2022
 Bathymetric Survey
 Reference: A5390 2018-2019
 Date of Survey: 22.11.2018

P01	27/01/2023	CC	Tender Issue	BR	CO
Rev	Date	Drawn	Description	Ch'k'd	App'd

Status Stamp

TENDER

M M

MOTT
MACDONALD

St Vincent Plaza
319 St Vincent Street
Glasgow, G2 5LD
United Kingdom

T +44 (0)141 222 4500
F +44 (0)141 221 2048
W mottmac.com

Client

Caledonian Maritime Assets Limited
 Municipal Buildings
 Fore Street
 Port Glasgow
 PA14 5EQ

Title

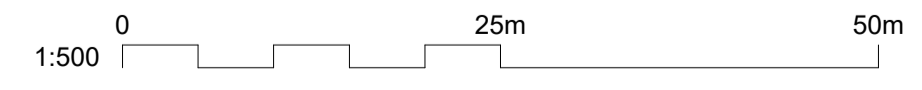
New Islay Vessel Port Enabling Works
Kennacraig
Dredging Sampling Plan

Designed	K. Wells	KW	Eng check	K. Wells	KW
Drawn	C. Campbell	CC	Coordination	G. Mather	GM
Dwg check	G. Mather	GM	Approved	C. Ohi	CO
MMD Project Number	105612	Scale at A1	1:500	Security	STD
Suitability Description	Suitable for Review & Authorisation				Suit. Code
Drawing Number	105612-MMD-KE-ZZ-DR-C-0101				Rev
					P01

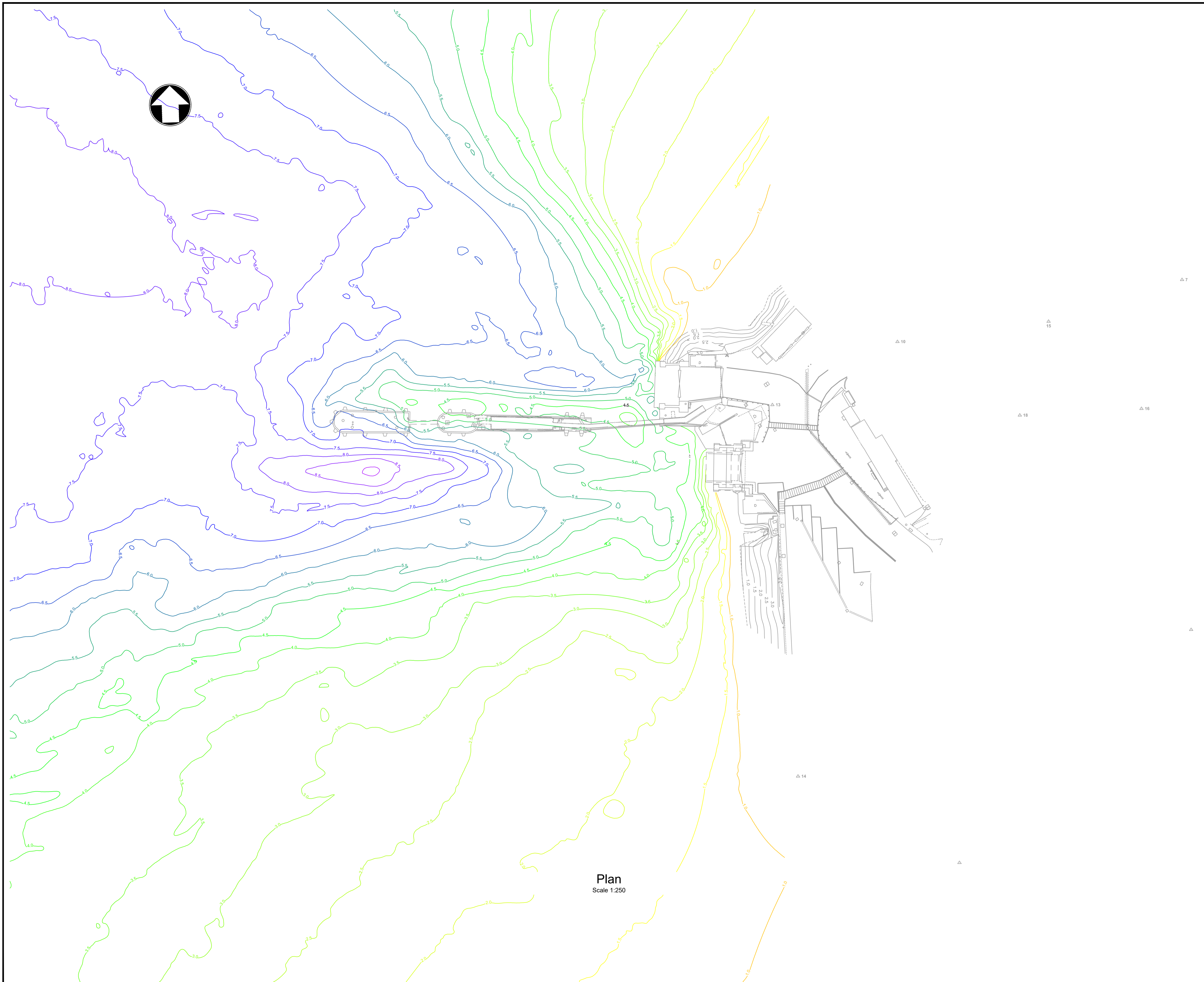
Dredge depth (CD)	Depth of Dredge Approx (m)	Area Dredged to -5.5mCD (m ²)	Total Area (m ²)	Volume (m ³)
-5.5m	0.2	5205	7868	6747

LAND BASED BOREHOLE LOCATION				
Name	As-Drilled Depth (m)	Eastings	Northings	Comments
KEBH111	14	181805	662542	Not yet complete
KEBH112	14	181820	662548	Not yet complete
KEBH113	14	181823	662531	Not yet complete
KEBH114	14	181831	662512	Not yet complete

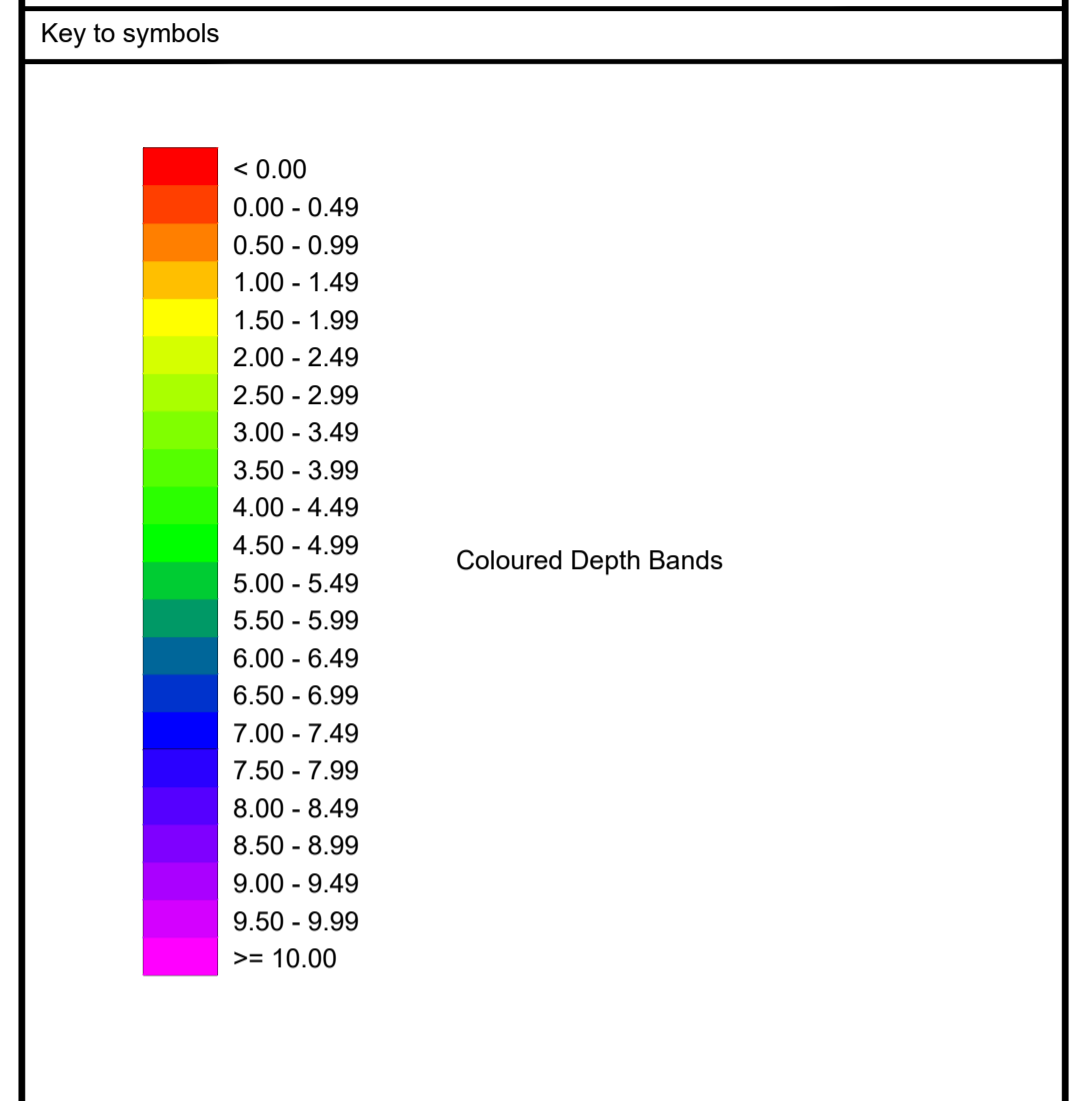
SEABED SAMPLING LOCATION (Vibrocore)						
Name	As-Drilled Depth (m)	Eastings	Northings	Termination Depth (m)	Ground Conditions Encountered	Comments
KESS111	8	181791.15	662519.30	2.8	0-1.9m Black gravelly to silty organic CLAY 1.9-2.8m Brown silty CLAY	Terminated on practical refusal 6 samples collected
KESS112	8	181757.8	662503.82	4.5	0-0.3m Black sandy clayey organic GRAVEL 0.3-4.5m Grey organic CLAY	Terminated on practical refusal 10 samples collected
KESS113	8	181676.00	662474.00	4.5	0-3.9m Grey organic CLAY 3.9m - 4.5m Black silty organic CLAY	Terminated on practical refusal 10 samples collected
KESS114	8	181733.85	662545.1	2.8	0-0.5m - Black sandy clay organic GRAVEL 0.5m - 2.8m Grey brown silty CLAY	Terminated on practical refusal 6 samples collected
KESS115	8	181792.00	662557.00	1.9	0-0.4m Black gravelly silty organic SAND 0.4m - 1.9m Black silty organic CLAY	Terminated on practical refusal 5 samples collected
KESS116	8	181789.94	662547.16	1.5	0-0.3m Black sandy clayey organic GRAVEL 0.3-1.3m Black silty organic CLAY 1.3m - 1.5m Yellow brown SAND	Terminated on practical refusal 4 samples collected



© Mott MacDonald
 This document is issued for the party which commissioned it and for specific purposes connected with the captioned project only. It should not be relied upon by any other party or used for any other purpose.
 We accept no responsibility for the consequences of this document being relied upon by any other party, or being used for any other purpose, or containing any error or omission which is due to an error or omission in data supplied to us by other parties.



- Notes
1. All chainages are in metres.
 2. All dimensions in millimetres unless noted otherwise.
 3. All levels in metres relative to Chart Datum (mCD) unless noted otherwise.
 4. DO NOT SCALE. Follow written dimensions only.
 5. The Client accepts no liability for the accuracy of the topographical & bathymetric information provided
 6. The Contractor shall verify all dimensions, elevations, coordinates, and site conditions prior to execution.
 7. For general notes refer to drawing 105612-MMD-KE-ZZ-0011



Reference drawings

External Drawings:
 Topographical Survey
 Reference: A8287-CD
 Date of Survey: 26.07.2022
 Bathymetric Survey
 Reference: A5390 2018-2019
 Date of Survey: 22.11.2018

Rev	Date	Drawn	Description	Ch'k'd	App'd
C01	17.03.23	CC	Tender Issue	BR	CO

Status Stamp

TENDER

St Vincent Plaza
 319 St Vincent Street
 Glasgow, G2 5LD
 United Kingdom

T +44 (0)141 222 4500
 F +44 (0)141 221 2048
 W mottmac.com

Client

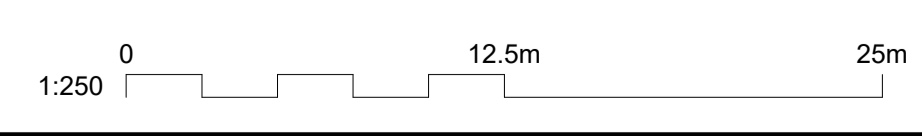
Caledonian Maritime Assets Limited
 Municipal Buildings
 Fore Street
 Port Glasgow
 PA14 5EQ

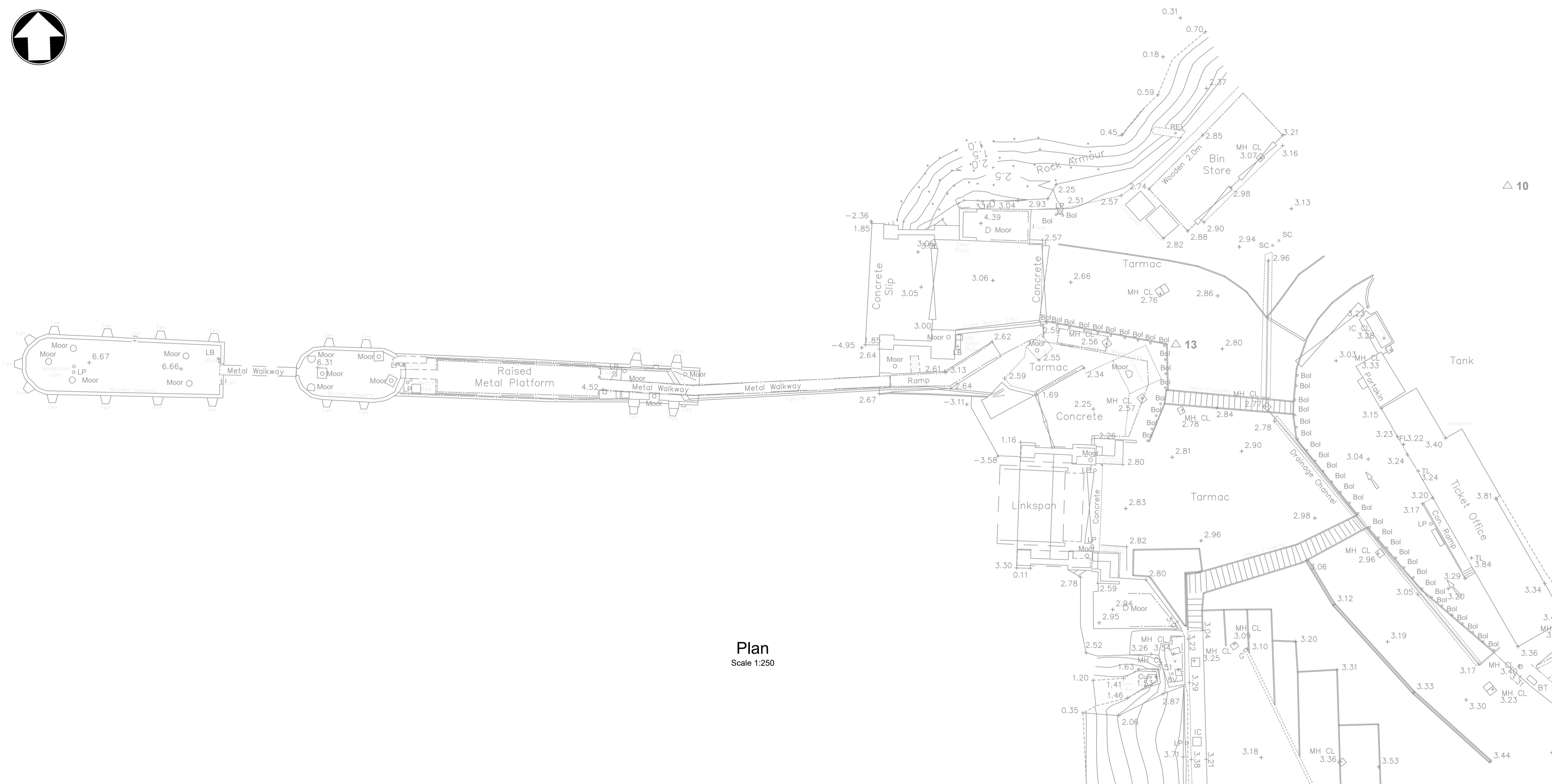
Title

New Islay Vessel Port Enabling Works
 Kennacraig
 Bathymetric Survey

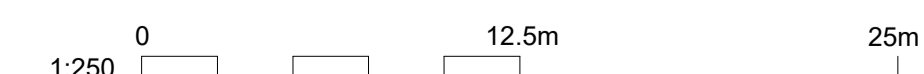
Designed	B. Radcliffe	BR	Eng check	B. Radcliffe	BR
Drawn	L. Marini	LM	Coordination	G. Mather	GM
Dwg check	G. Mather	GM	Approved	C. Ohi	CO
MMD Project Number	105612	Scale at A1	As Indicated	Security	STD
Suitability Description	Authorised and Accepted				Suit. Code
Drawing Number	105612-MMD-KE-ZZ-DR-C-0110				Rev
					C01

© Mott MacDonald
 This document is issued for the party which commissioned it and for specific purposes connected with the captioned project only. It should not be relied upon by any other party or used for any other purpose.
 We accept no responsibility for the consequences of this document being relied upon by any other party, or being used for any other purpose, or containing any error or omission which is due to an error or omission in data supplied to us by other parties.





Plan
Scale 1:250



- Notes
- All chainages are in metres.
 - All dimensions in millimetres unless noted otherwise.
 - All levels in metres relative to Chart Datum (mCD) unless noted otherwise.
 - DO NOT SCALE. Follow written dimensions only.
 - The Client accepts no liability for the accuracy of the topographical & bathymetrical information provided
 - The Contractor shall verify all dimensions, elevations, coordinates, and site conditions prior to execution.
 - For general notes refer to drawing 105612-MMD-KE-ZZ-0011

Key to symbols

Reference drawings

External Drawings:
Topographical Survey
Reference: A8287-CD
Date of Survey: 26.07.2022

Rev	Date	Drawn	Description	Ch'k'd	App'd
C01	17.03.23	CC	Tender Issue	BR	CO


Status Stamp
TENDER

M M
MOTT MACDONALD

St Vincent Plaza
319 St Vincent Street
Glasgow, G2 5LD
United Kingdom

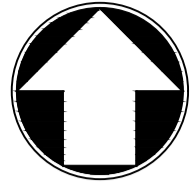
T +44 (0)141 222 4500
F +44 (0)141 221 2048
W mottmac.com

Client
Caledonian Maritime Assets Limited
Municipal Buildings
Fore Street
Port Glasgow
PA14 5EQ

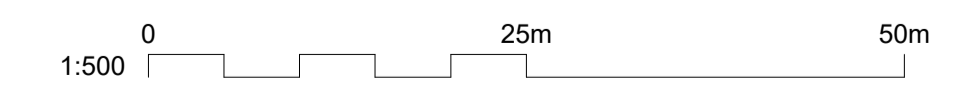


Title
New Islay Vessel Port Enabling Works
Kennacraig
Topographical Survey

Designed	B. Radcliffe	BR	Eng check	B. Radcliffe	BR
Drawn	L. Marini	LM	Coordination	G. Mather	GM
Dwg check	G. Mather	GM	Approved	C. Ohi	CO
MMD Project Number	105612		Scale at A1	1:250	
Suitability Description	Authorised and Accepted				Suit. Code A1
Drawing Number	105612-MMD-KE-ZZ-DR-C-0120				Rev C01
MMD Project Number					Security STD



Plan
Scale 1:500



- Notes
- All chainages are in metres.
 - All dimensions in millimetres unless noted otherwise.
 - All levels in metres relative to Chart Datum (mCD) unless noted otherwise.
 - DO NOT SCALE. Follow written dimensions only.
 - The Client accepts no liability for the accuracy of the topographical & bathymetrical information provided
 - The Contractor shall verify all dimensions, elevations, coordinates, and site conditions prior to execution.
 - Dimensions followed by an asterisks are to be confirmed by the contractor on site.
 - Notes followed by + denote items that are to be in accordance with manufacturers recommendations.
 - For general notes refer to drawing 105612-MMD-(**)-ZZ-0011, where (**) denotes field 3 volume or system for the applicable project site CO, KE & PA.
 - Please refer to aspect surveys drawings for further survey details & notes
 - Contractor shall undertake relevant surveys to establish no services are in the vicinity of the working area, which could affect the works

Key to symbols

Reference drawings

External Drawings:

Utility Mapping Survey File :
Reference: A8404
Survey Date: 14.11.2022

Rev	Date	Drawn	Description	Ch'k'd	App'd
C01	17.03.23	CC	Tender Issue	BR	CO


Status Stamp

TENDER

M MOTT MACDONALD	St Vincent Plaza 319 St Vincent Street Glasgow, G2 5LD United Kingdom
	T +44 (0)141 222 4500 F +44 (0)141 221 2048 W mottmac.com

Client

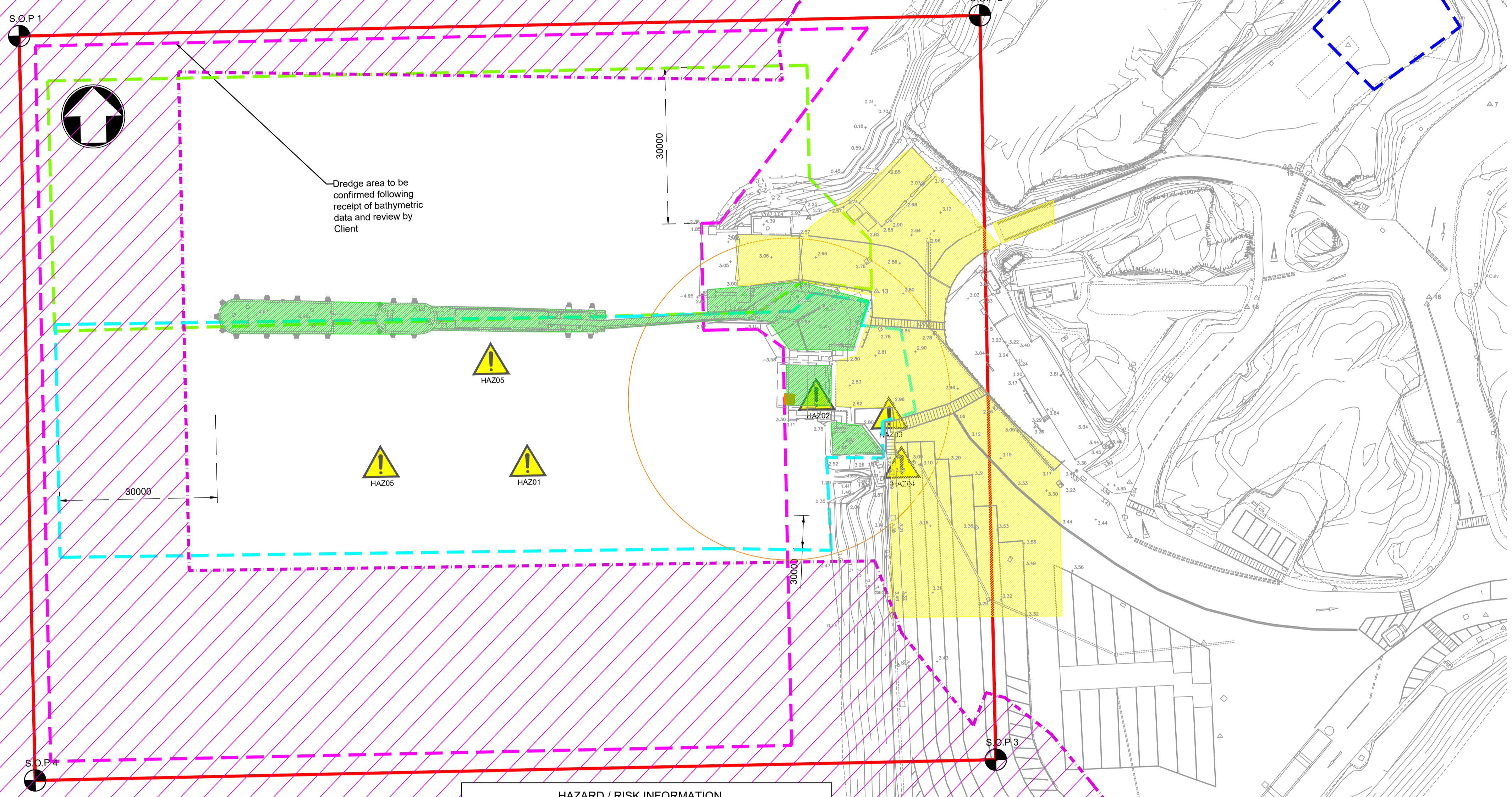
Caledonian Maritime Assets Limited
Municipal Buildings
Fore Street
Port Glasgow
PA14 5EQ



Title

New Islay Vessel Port Enabling Works
Kennacraig
Existing Services

Designed	B. Radcliffe	BR	Eng check	B. Radcliffe	BR
Drawn	J. Brown	JB	Coordination	G. Mather	GM
Dwg check	G. Mather	GM	Approved	C. Ohi	CO
MMD Project Number	105612	Scale at A1	1:250	Security	STD
Suitability Description	Authorised and Accepted				Suit. Code
Drawing Number	105612-MMD-KE-ZZ-DR-C-0130				Rev
					C01



Plan
Scale 1:500

HAZARD / RISK INFORMATION	
	It is a requirement that only experienced and competent contractors carry out the work described, using a recognised safe method of working. The following are specific significant residual risks identified by the designer and are additional to those hazards/risks normally associated with this type of work.
CONSTRUCTION:	
HAZ01 - Interface with other Port users	
HAZ02 - Weight Restrictions on Existing Quay	
HAZ03 - Live port and operations	
HAZ04 - Public accessible areas	
HAZ05 - Berthing operations to continue during reconstruction. Activities to be halted as agreed with CMAL.	
OPERATIONS:	
02 - N/A	
MAINTENANCE:	
03 - N/A	
DEMOLITION:	
04 - N/A	
FUTURE ANTICIPATED WORK:	
05 - N/A	

- Notes
- All dimensions in millimetres unless noted otherwise.
 - All bathymetric levels in metres relative to Chart Datum (mCD) unless noted otherwise.
 - All topographical levels in metres relative to Chart Datum (mCD) unless noted otherwise.
 - DO NOT SCALE. Follow written dimensions only.
 - The Client accepts no liability for the accuracy of the topographical & bathymetric information provided.
 - The Contractor shall verify all dimensions, elevations, coordinates, and site conditions prior to execution.
 - For general notes refer to drawing 105612-MMD-(")-ZZ-0011, where (") denotes field 3 volume or system for the applicable project site CO, KE & PA.
 - This drawing shall be read in conjunction with the Scope
 - The Project Manager shall be notified immediately of any discrepancy encountered on site.
 - Unless noted otherwise access for ferry operations shall be maintained at all times. Ferry operations shall not be disrupted by the contractor.
 - Legally protected otter shelter with 30m Protection Zone covered by European Protected Species (EPS) licence to disturb otters. Refer to NatureScot Licence 218155, and New Islay Vessel Port Enabling Works Kennacraig Otter Species

Key to symbols

- Red line
- Green dashed line
- Cyan dashed line
- Blue dashed line
- Mooring Location of Contractor's Floating equipment (CMAL TBC)
- Sound of Gigha Special Protection Area
- Dredge area to be confirmed receipt of bathymetric data and review by Client

*Not for Sole Use - Ferry Operations to be Accommodated

SETTING OUT TABLE		
POINTS	EASTING	NORTHING
S.O.P 1	181672.955	662586.723
S.O.P 2	181852.049	662586.723
S.O.P 3	181852.049	662447.918
S.O.P 4	181672.955	662447.918

Reference drawings

External Drawings:
 Topographical Survey
 Reference: A8287-CD
 Date of Survey: 26.07.2022
 Bathymetric Survey
 Reference: A5390 2018-2019
 Date of Survey: 22.11.2018
 Otter Survey
 Reference: 105612-MMD-KE-ZZ-RP-O-0001-A-Kennacraig
 Date of Survey: April 2022

Rev	Date	Drawn	Description	Ch'k'd	App'd
C01	17.03.23	CC	Tender Issue	BR	CO

Status Stamp

TENDER

**MOTT
MACDONALD**

St Vincent Plaza
 319 St Vincent Street
 Glasgow, G2 5LD
 United Kingdom

T +44 (0)141 222 4500
 F +44 (0)141 221 2048
 W mottmac.com

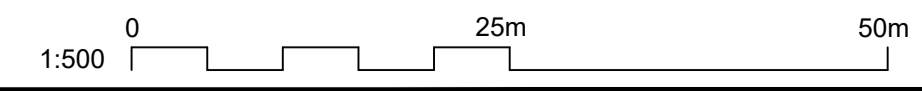
Client

Caledonian Maritime Assets Limited
 Municipal Buildings
 Fore Street
 Port Glasgow
 PA14 5EQ

Title

New Islay Vessel Port Enabling Works
Kennacraig
Boundaries and Interface

Designed	B. Radcliffe	BR	Eng check	B. Radcliffe	BR
Drawn	J. Brown	JB	Coordination	G. Mather	GM
Dwg check	G. Mather	GM	Approved	C. Ohl	CO
MMD Project Number	105612	Scale at A1	As Indicated	Security	STD
Suitability Description	Authorised and Accepted			Suit. Code	A1
Drawing Number	105612-MMD-KE-ZZ-DR-C-0140			Rev	C01





© 2022 Microsoft Corporation © 2022 Maxar © CNES (2022) Distribution Airbus DS

Plan
Scale 1:500

- Notes
- All dimensions in millimetres unless noted otherwise.
 - All bathymetric levels in metres relative to Chart Datum (mCD) unless noted otherwise.
 - All topographical levels in metres relative to Chart Datum (mCD) unless noted otherwise.
 - DO NOT SCALE. Follow written dimensions only.
 - The Client accepts no liability for the accuracy of the topographical & bathymetric information provided.
 - The Contractor shall verify all dimensions, elevations, coordinates, and site conditions prior to execution.
 - For general notes refer to drawing 105612-MMD-(**)-ZZ-0011, where (**) denotes field 3 volume or system for the applicable project site CO, KE & PA.
 - This drawing shall be read in conjunction with the Scope
 - The Project Manager shall be notified immediately of any discrepancy encountered on site.
 - Unless noted otherwise access for ferry operations shall be maintained at all times. Ferry operations shall not be disrupted by the contractor.
 - Legally protected otter shelter with 30m Protection Zone covered by European Protected Species (EPS) licence to disturb otters. Refer to NatureScot Licence 218155, and New Islay Vessel Port Enabling Works Kennacraig Otter Species

Key to symbols

	SB - Site Boundary
	CMAL Harbour Limits
	Local Access to be Maintained Throughout Works
	Pedestrian and Vehicle Access for Ferry Operations to be Maintained Clear
	Sound of Gigha Special Protection Area

*Not for Sole Use - Ferry Operations to be Accommodated

SETTING OUT TABLE		
POINTS	EASTING	NORTHING
S.O.P 1	181672.955	662586.723
S.O.P 2	181852.049	662586.723
S.O.P 3	181852.049	662481.456
S.O.P 4	181672.955	662481.456

Reference drawings

Topographical Survey
Reference: A7486.2D
Date of Survey: 19.10.2020

Bathymetric Survey
Reference: A5390_2018
Date of Survey: 07.12.2018

CMAL Harbour Limits
Reference: The Caledonian Maritime Assets (Kennacraig) Harbour Revision Order 2011
Date of Order: 26.09.11

C01	17.03.23	CC	Tender Issue	BR	CO
Rev	Date	Drawn	Description	Ch'k'd	App'd

Status Stamp
TENDER

	St Vincent Plaza 319 St Vincent Street Glasgow, G2 5LD United Kingdom
	T +44 (0)141 222 4500 F +44 (0)141 221 2048 W mottmac.com

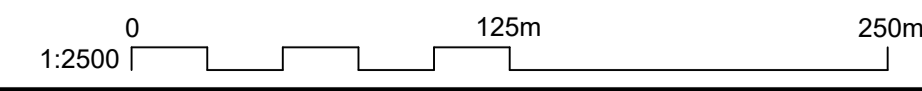
Client
Caledonian Maritime Assets Limited
 Municipal Buildings
 Fore Street
 Port Glasgow
 PA14 5EQ



Title
New Islay Vessel Port Enabling Works
Kennacraig
Boundaries and Interfaces
Harbour Limits

Designed	B. Radcliffe	BR	Eng check	B. Radcliffe	BR
Drawn	J. Brown	JB	Coordination	G. Mather	GM
Dwg check	G. Mather	GM	Approved	C. Ohl	CO

MMD Project Number	105612	Scale at A1	As Indicated	Security	STD
Suitability Description	Authorised and Accepted			Suit. Code	A1
Drawing Number	105612-MMD-KE-ZZ-DR-C-0141			Rev	C01



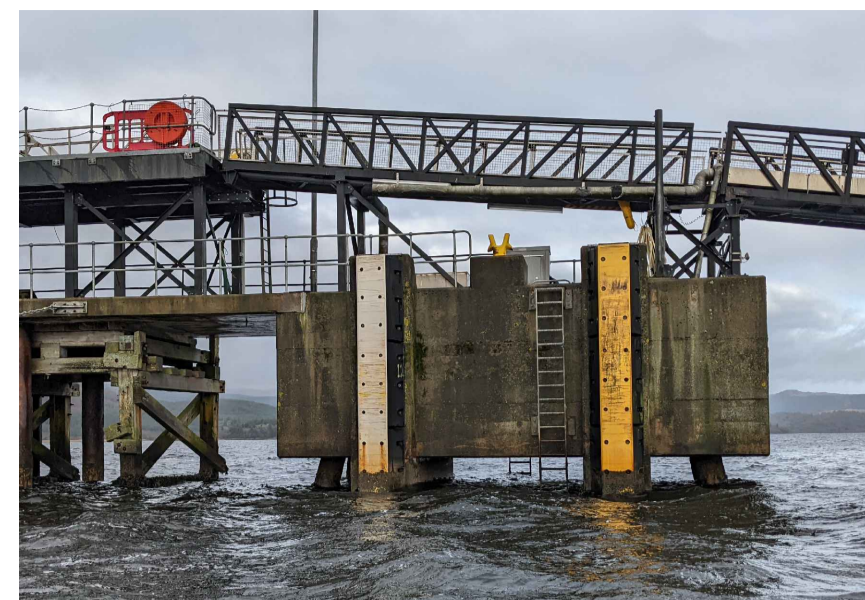


Image 1
Inner Dolphin



Image 2
Middle Dolphin
(South Face)

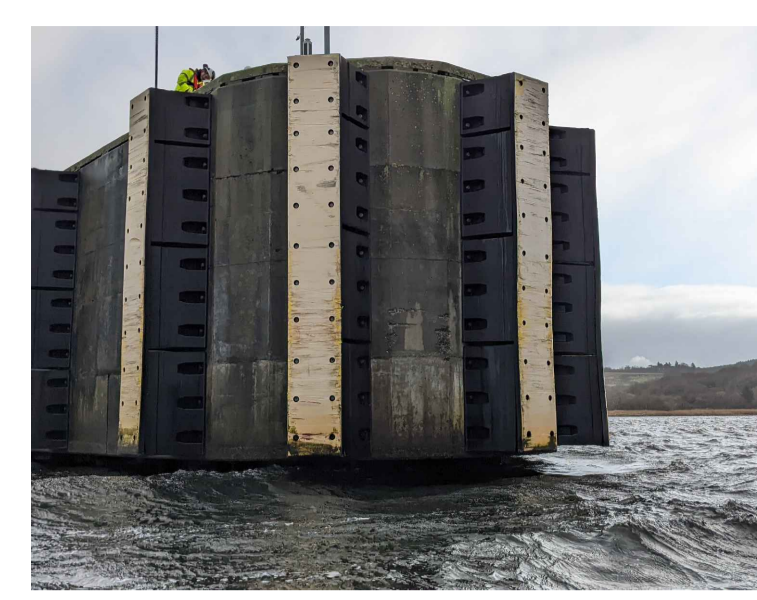


Image 3
Roundhead



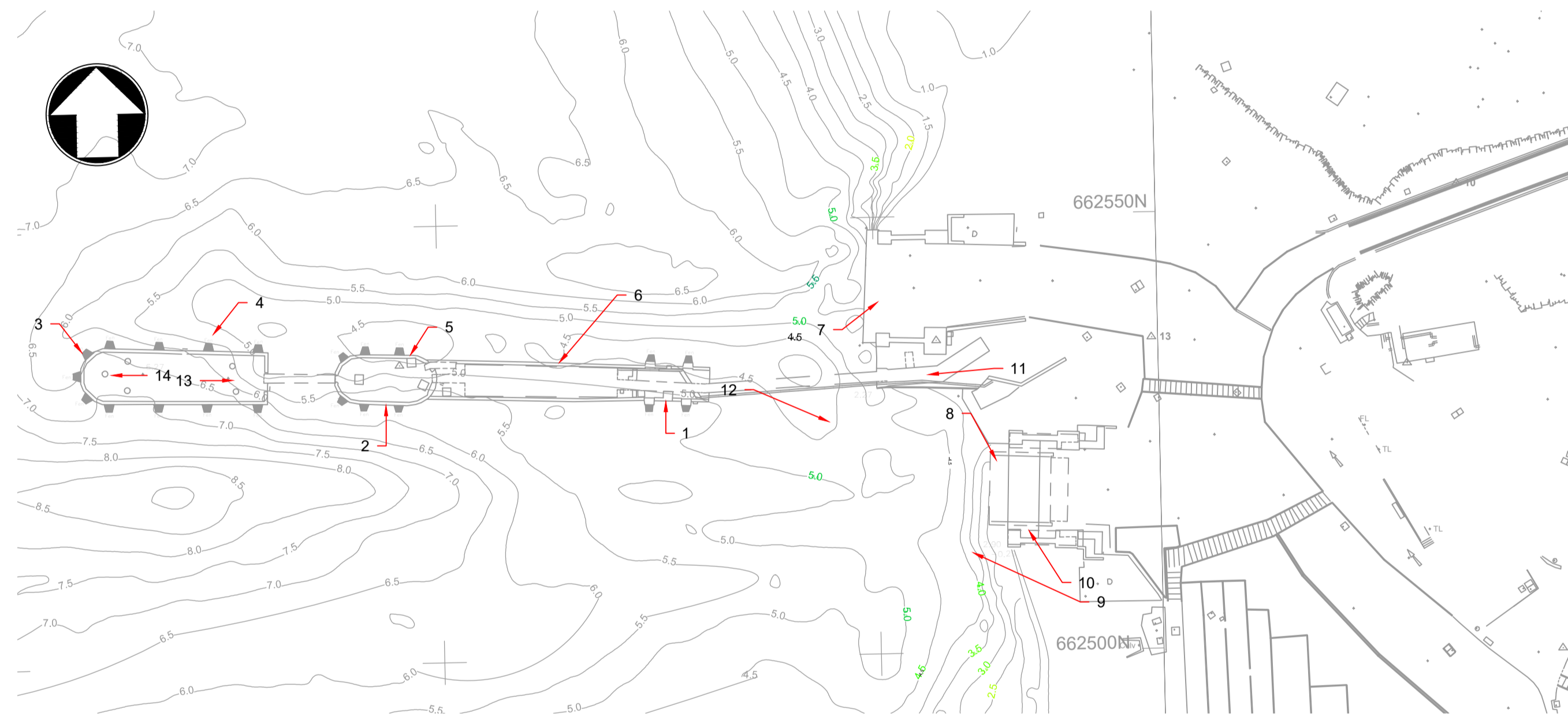
Image 4
Roundhead



Image 14
Roundhead



Image 13
Roundhead



Plan View of Kennacraig
Scale 1:500

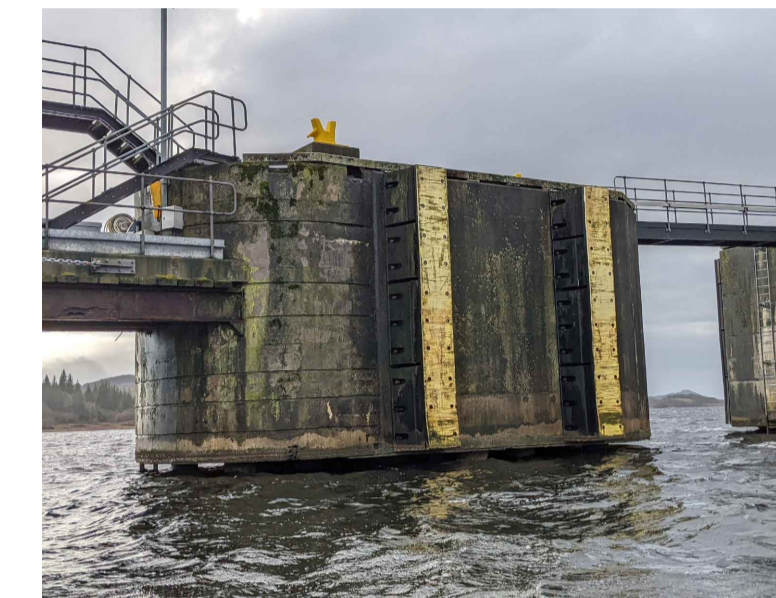


Image 5
Middle Dolphin (North Face)

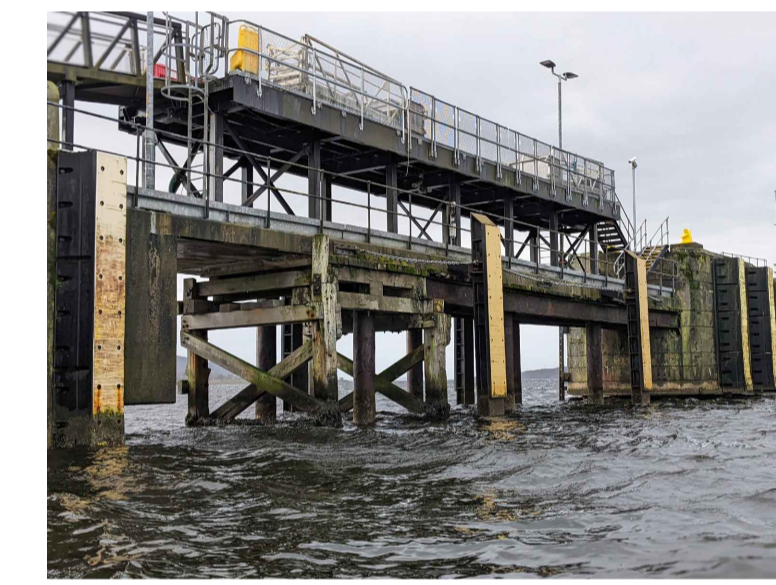


Image 6
Infill Pier

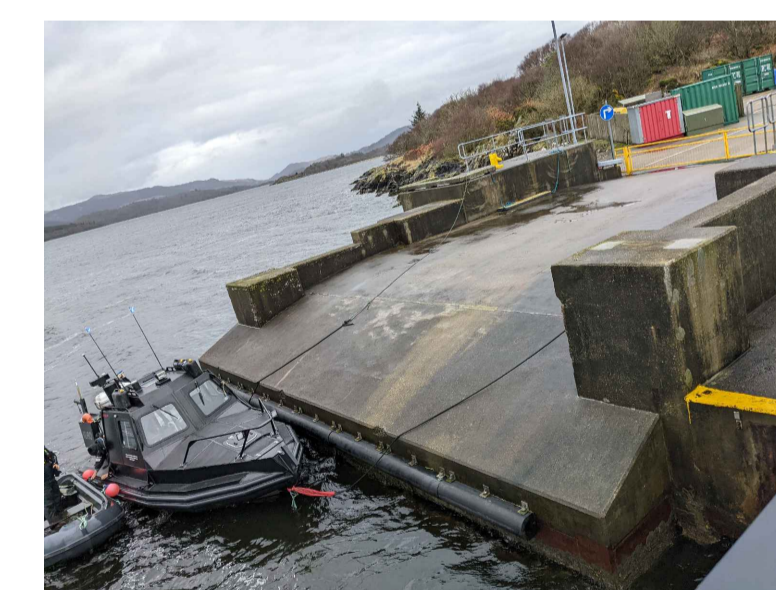


Image 7
Fixed Ramp

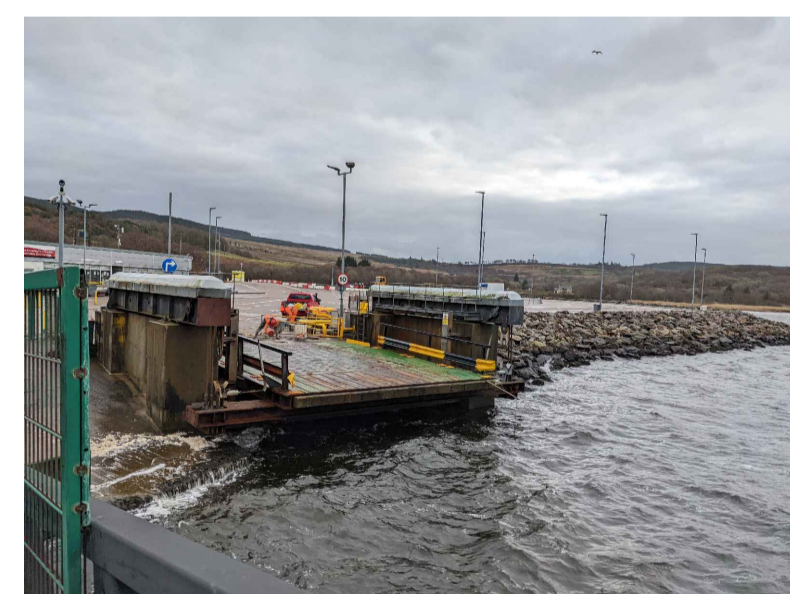


Image 12
Linkspan

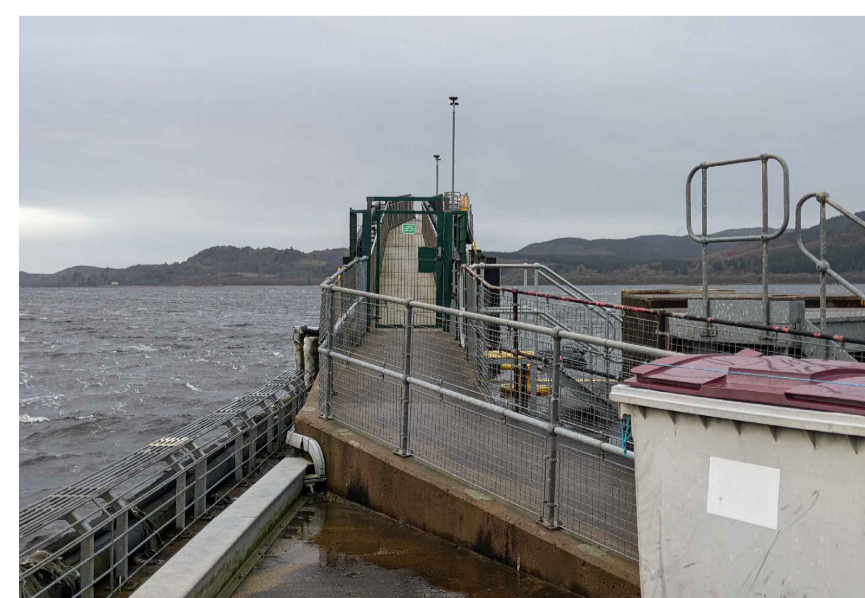


Image 11
Walkway



Image 10
Linkspan & Revetment



Image 9
General View of
South Berth



Image 8
Linkspan

- Notes
- Arrows indicate direction of corresponding photograph.
 - Photographs taken January 2022

Key to symbols

Reference drawings

External Drawings:
Topographical Survey
Reference: A8287-CD
Date of Survey: 26.07.2022
Bathymetric Survey
Reference: AS390 2018-2019
Date of Survey: 22.11.2018

C01	17.03.23	CC	Tender Issue	BR	CO
Rev	Date	Drawn	Description	Ch'k'd	App'd


Status Stamp
TENDER

M M
MOTT
MACDONALD

St Vincent Plaza
319 St Vincent Street
Glasgow, G2 5LD
United Kingdom

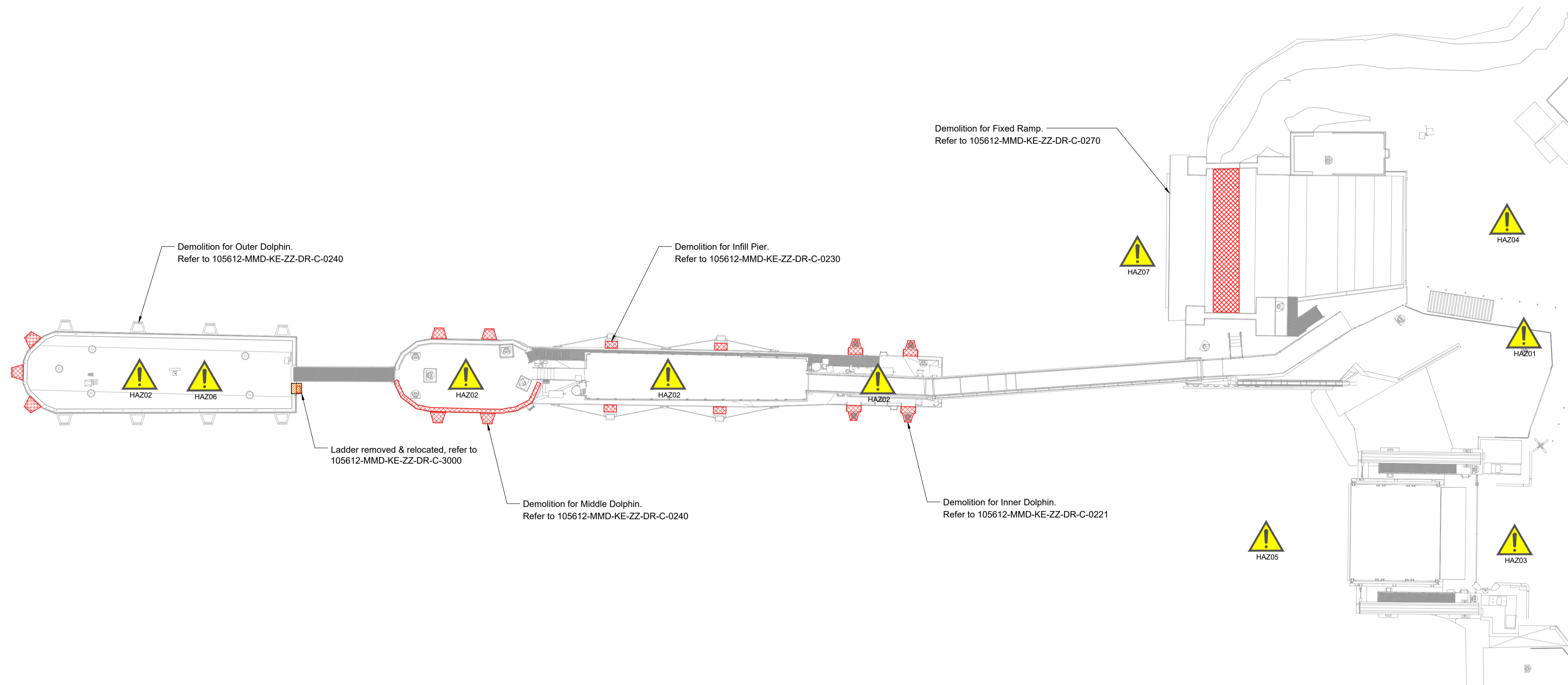
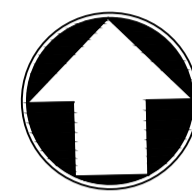
T +44 (0)141 222 4500
F +44 (0)141 221 2048
W mottmac.com

Client
Caledonian Maritime Assets Limited
Municipal Buildings
Fore Street
Port Glasgow
PA14 5EQ



Title
New Islay Vessel Port Enabling Works
Kennacraig
Existing Photos

Designed	B. Radcliffe	BR	Eng check	B. Radcliffe	BR
Drawn	J. Brown	JB	Coordination	G. Mather	GM
Dwg check	G. Mather	GM	Approved	C. Ohl	CO
MMD Project Number	105612	Scale at A1	As Indicated	Security	STD
Suitability Description	Authorised and Accepted			Suit. Code	A1
Drawing Number	105612-MMD-KE-ZZ-DR-C-0150			Rev	C01



Plan
Scale 1:200



- Notes
- All chainages are in metres.
 - All dimensions in millimetres unless noted otherwise.
 - All levels in metres relative to Chart Datum (mCD) unless noted otherwise.
 - DO NOT SCALE. Follow written dimensions only.
 - The Client accepts no liability for the accuracy of the topographical & bathymetrical information provided.
 - The Contractor shall verify all dimensions, elevations, coordinates, and site conditions prior to execution.
 - Dimensions followed by an asterisks are to be confirmed by the contractor on site.
 - Notes followed by + denote items that are to be in accordance with manufacturers recommendations.
 - For general notes refer to drawing 105612-MMD-KE-ZZ-0011, where (**) denotes field 3 volume or system for the applicable project site CO, KE & PA.
 - Minor or localised demolition has not been shown for clarity.
 - Demolition to be undertaken in accordance with the specification and all licenses.

Key to symbols

	Concrete
	Extent of Demolition
	Remove & Reinstated

Reference drawings

External Drawings:
Topographical Survey
Reference: A8287-CD
Date of Survey: 26.07.2022

Rev	Date	Drawn	Description	Ch'k'd	App'd
C01	17.03.23	CC	Tender Issue	FH	CO


Status Stamp

TENDER

<p>M MOTT MACDONALD</p>	<p>St Vincent Plaza 319 St Vincent Street Glasgow, G2 5LD United Kingdom</p> <p>T +44 (0)141 222 4500 F +44 (0)141 221 2048 W mottmac.com</p>
--	---

Client

Caledonian Maritime Assets Limited
Municipal Buildings
Fore Street
Port Glasgow
PA14 5EQ

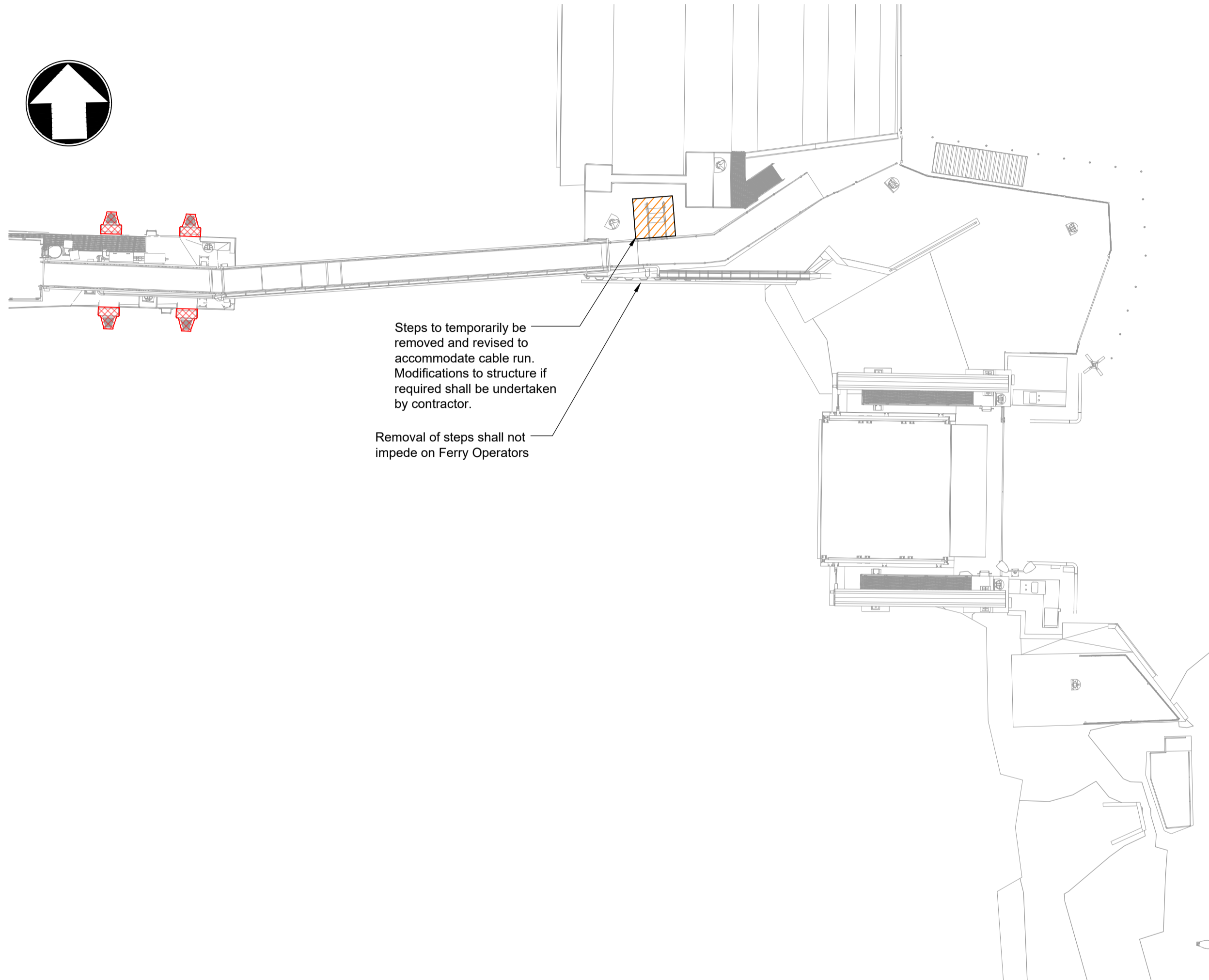


Title

New Islay Vessel Port Enabling Works
Kennacraig
General Arrangement Demolition
Offshore

Designed	F. Hogg	FH	Eng check	B. Radcliffe	BAR
Drawn	C. Campbell	CC	Coordination	G. Mathers	GM
Dwg check	G. Mathers	GM	Approved	C. Ohi	CO
MMD Project Number	105612	Scale at A1	As Indicated	Security	STD
Suitability Description	Authorised and Accepted				Suit. Code
Drawing Number	105612-MMD-KE-ZZ-DR-C-0200				Rev
					C01

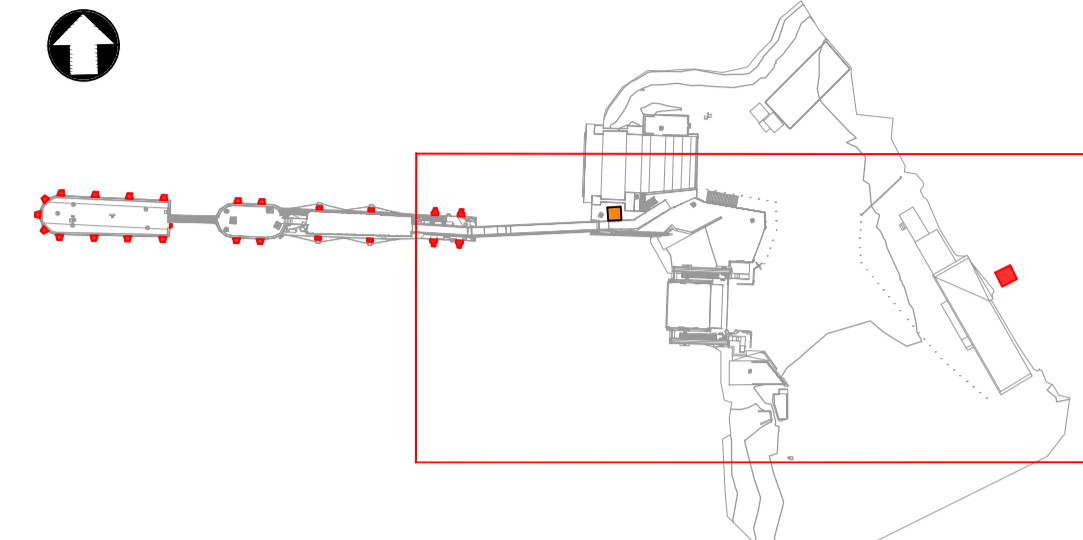
SAFETY, HEALTH AND ENVIRONMENTAL INFORMATION	
	It is a requirement that only experienced and competent contractors carry out the work described, using a recognised safe method of working. The following are specific significant residual risks identified by the designer and are additional to those hazards/risks normally associated with this type of work.
CONSTRUCTION:	
HAZ01 - Interface with other Port users (i.e access required)	
HAZ02 - Weight Restrictions on Existing Quay tbc	
HAZ03 - Live Port & Operations	
HAZ04 - Public accessible areas	
HAZ05 - Ferry to operate and continue during enabling works	
HAZ06 - Mooring lines impact construction activities	
HAZ07 - Submerged structures / tidal working	
OPERATIONS:	
02 - N/A	
MAINTENANCE:	
03 - N/A	
DEMOLITION:	
04 - N/A	
FUTURE ANTICIPATED WORK:	
05 - N/A	



Steps to temporarily be removed and revised to accommodate cable run. Modifications to structure if required shall be undertaken by contractor.

Removal of steps shall not impede on Ferry Operators

Plan
Scale 1:200



Key Plan
Scale 1:1250



Switch Room to be demolished



Terminal Building



SAFETY, HEALTH AND ENVIRONMENTAL INFORMATION	
	It is a requirement that only experienced and competent contractors carry out the work described, using a recognised safe method of working. The following are specific significant residual risks identified by the designer and are additional to those hazards/risks normally associated with this type of work.
CONSTRUCTION:	
HAZ01 - Interface with other Port users (i.e access required)	
HAZ02 - Live Port & Operations	
HAZ03 - Public accessible areas	
OPERATIONS:	
02 - N/A	
MAINTENANCE:	
03 - N/A	
DEMOLITION:	
HAZ04 - Asbestos Known to be Present	
FUTURE ANTICIPATED WORK:	
05 - N/A	



- Notes
- All chainages are in metres.
 - All dimensions in millimetres unless noted otherwise.
 - All levels in metres relative to Chart Datum (mCD) unless noted otherwise.
 - DO NOT SCALE. Follow written dimensions only.
 - The Client accepts no liability for the accuracy of the topographical & bathymetrical information provided
 - The Contractor shall verify all dimensions, elevations, coordinates, and site conditions prior to execution.
 - Dimensions followed by an asterisk are to be confirmed by the contractor on site.
 - Notes followed by + denote items that are to be in accordance with manufacturers recommendations.
 - For general notes refer to drawing 105612-MMD-(**)-ZZ-0011, where (**) denotes field 3 volume or system for the applicable project site CO, KE & PA.

Key to symbols

	Concrete
	Extent of Demolition
	Remove & Reinstale

Reference drawings

External Drawings:
Topographical Survey
Reference: A8287-CD
Date of Survey: 26.07.2022

Rev	Date	Drawn	Description	Ch'k'd	App'd
C01	17.03.23	CC	Tender Issue	FH	CO

Status Stamp

TENDER

	St Vincent Plaza 319 St Vincent Street Glasgow, G2 5LD United Kingdom T +44 (0)141 222 4500 F +44 (0)141 221 2048 W mottmac.com

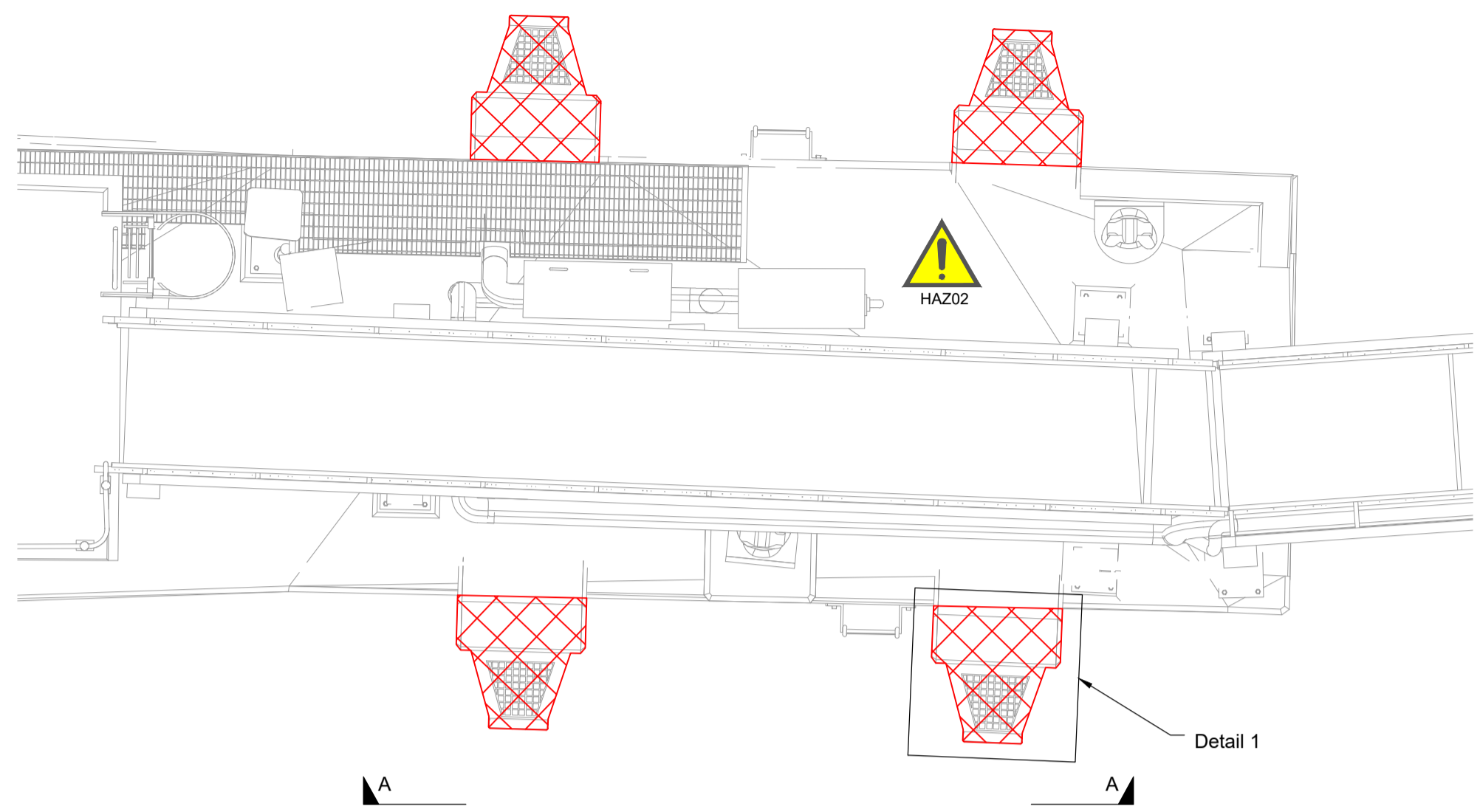
Client

Caledonian Maritime Assets Limited
Municipal Buildings
Fore Street
Port Glasgow
PA14 5EQ

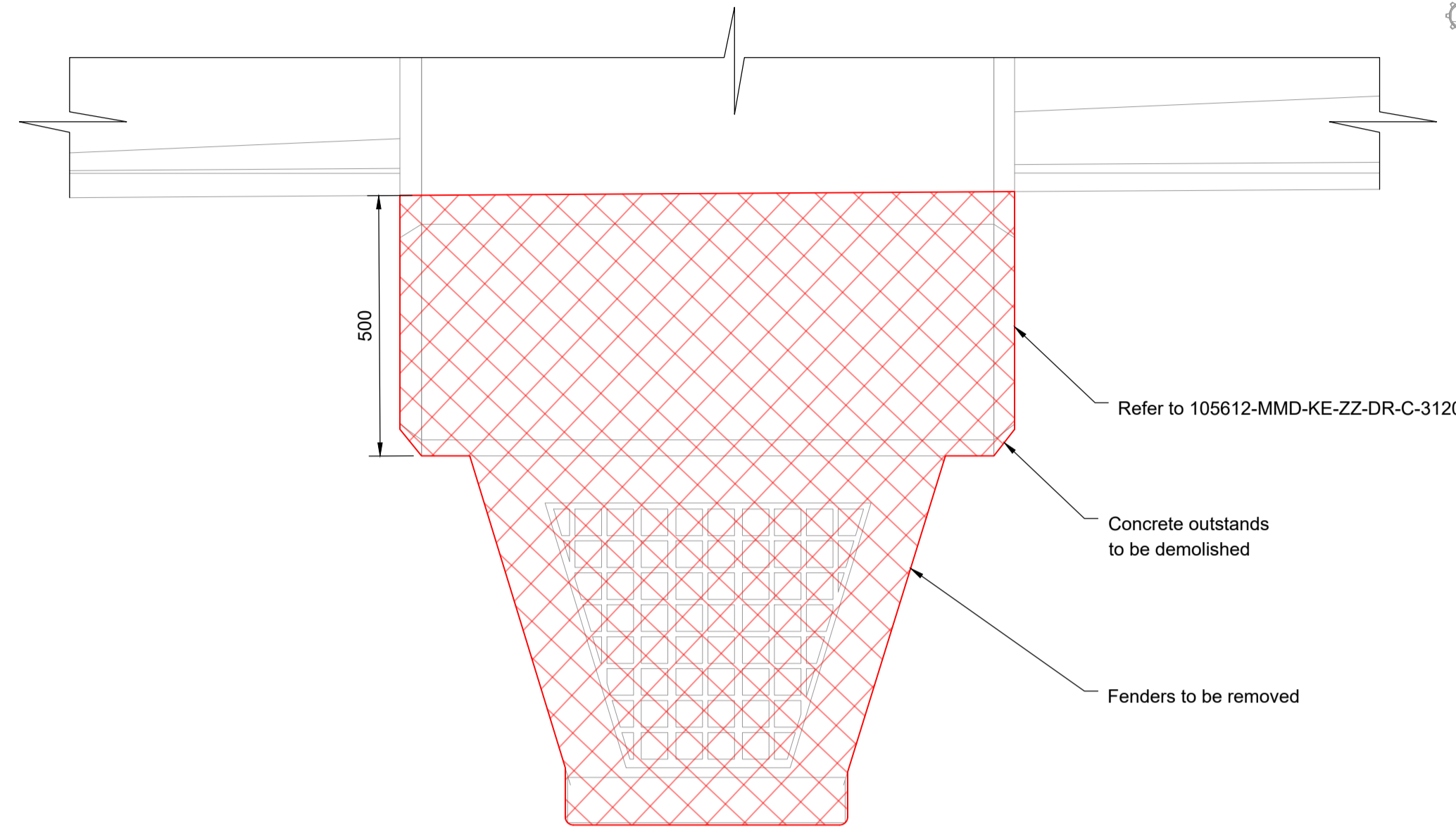
Title

New Islay Vessel Port Enabling Works
Kennacraig
General Arrangement Demolition
Onshore

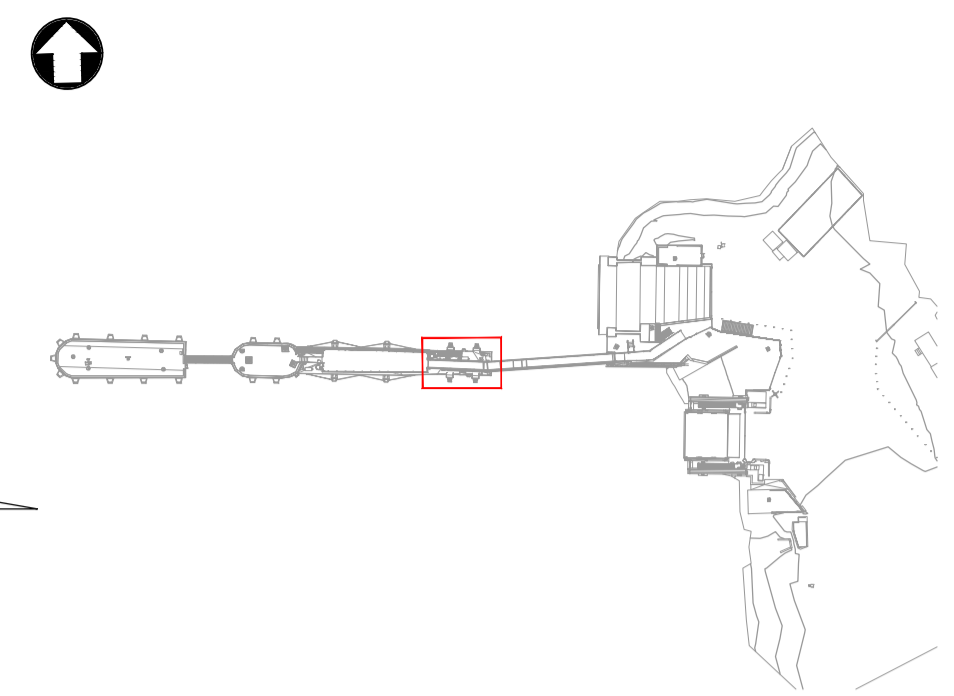
Designed	F. Hogg	FH	Eng check	B. Radcliffe	BAR
Drawn	C. Campbell	CC	Coordination	G. Mathers	GM
Dwg check	G. Mathers	GM	Approved	C. Ohi	CO
MMD Project Number	105612	Scale at A1	As Indicated	Security	STD
Suitability Description	Authorised and Accepted				Suit. Code
Drawing Number	105612-MMD-KE-ZZ-DR-C-0201				Rev
					C01



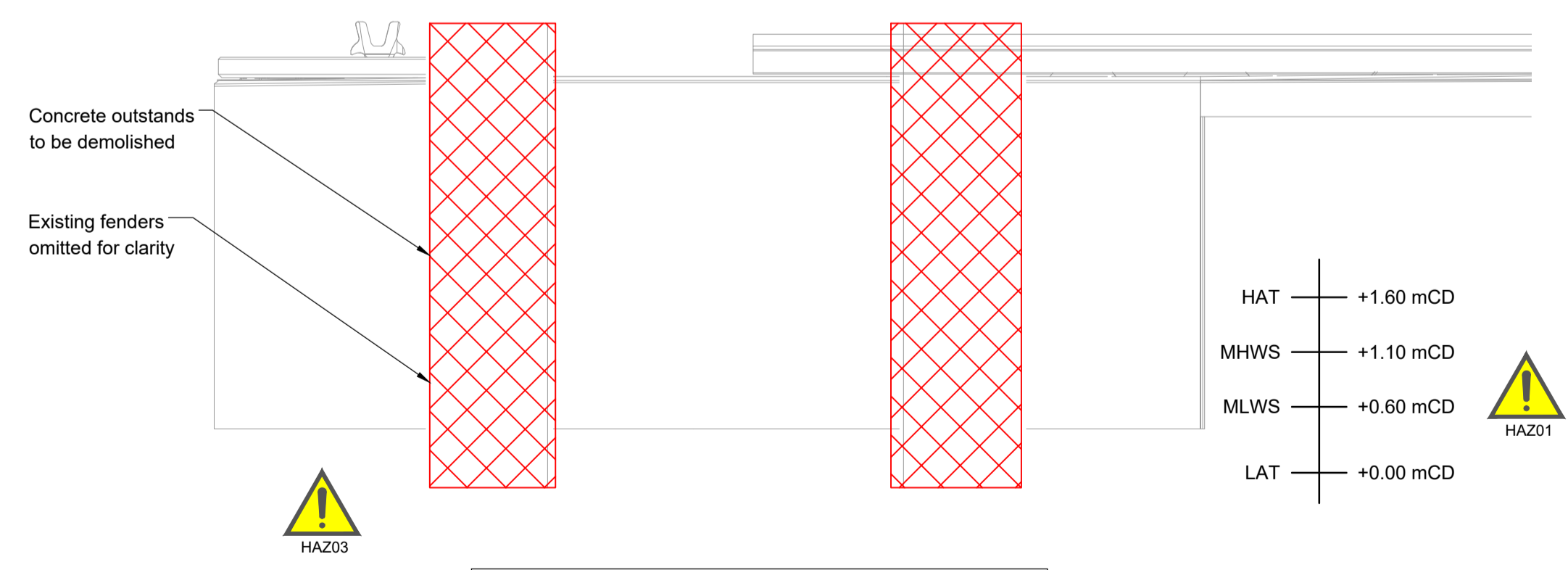
Plan
Scale - 1:50



Detail 1
Scale - 1:10

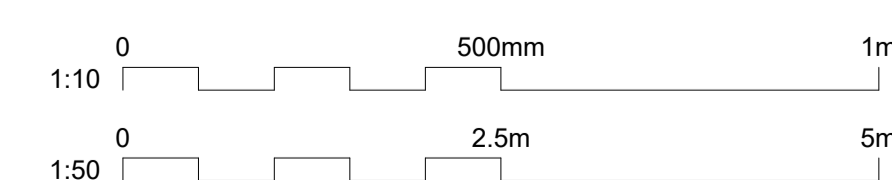


Key Plan
Scale 1:1250



Elevation A-A
Scale - 1:50

SAFETY, HEALTH AND ENVIRONMENTAL INFORMATION	
	It is a requirement that only experienced and competent contractors carry out the work described, using a recognised safe method of working. The following are specific significant residual risks identified by the designer and are additional to those hazards/risks normally associated with this type of work.
CONSTRUCTION:	01 - N/A
OPERATIONS:	02 - N/A
MAINTENANCE:	03 - N/A
DEMOLITION:	HAZ01 - Submerged structures / tidal working HAZ02 - Weight Restrictions on Existing Structures HAZ03 - Material falling into watercourse
FUTURE ANTICIPATED WORK:	05 - N/A



- Notes**
- All chainages are in metres.
 - All dimensions in millimetres unless noted otherwise.
 - All levels in metres relative to Chart Datum (mCD) unless noted otherwise.
 - DO NOT SCALE. Follow written dimensions only.
 - The Client accepts no liability for the accuracy of the topographical & bathymetrical information provided.
 - The Contractor shall verify all dimensions, elevations, coordinates, and site conditions prior to execution.
 - Dimensions followed by an asterisk are to be confirmed by the contractor on site.
 - Notes followed by + denote items that are to be in accordance with manufacturers recommendations.
 - For general notes refer to drawing 105612-MMD-(")-ZZ-0011, where (") denotes field 3 volume or system for the applicable project site CO, KE & PA.
 - Minor or localised demolition has not been shown for clarity.
 - Demolition to be undertaken in accordance with the specification and all licenses.

Key to symbols

	Concrete
	Extent of Demolition

Reference drawings

External Drawings:
Topographical Survey
Reference: A8287-CD
Date of Survey: 26.07.2022

Rev	Date	Drawn	Description	Ch'k'd	App'd
C01	17.03.23	CC	Tender Issue	FH	CO

Status Stamp

TENDER

M MOTT MACDONALD	St Vincent Plaza 319 St Vincent Street Glasgow, G2 5LD United Kingdom
	T +44 (0)141 222 4500 F +44 (0)141 221 2048 W mottmac.com

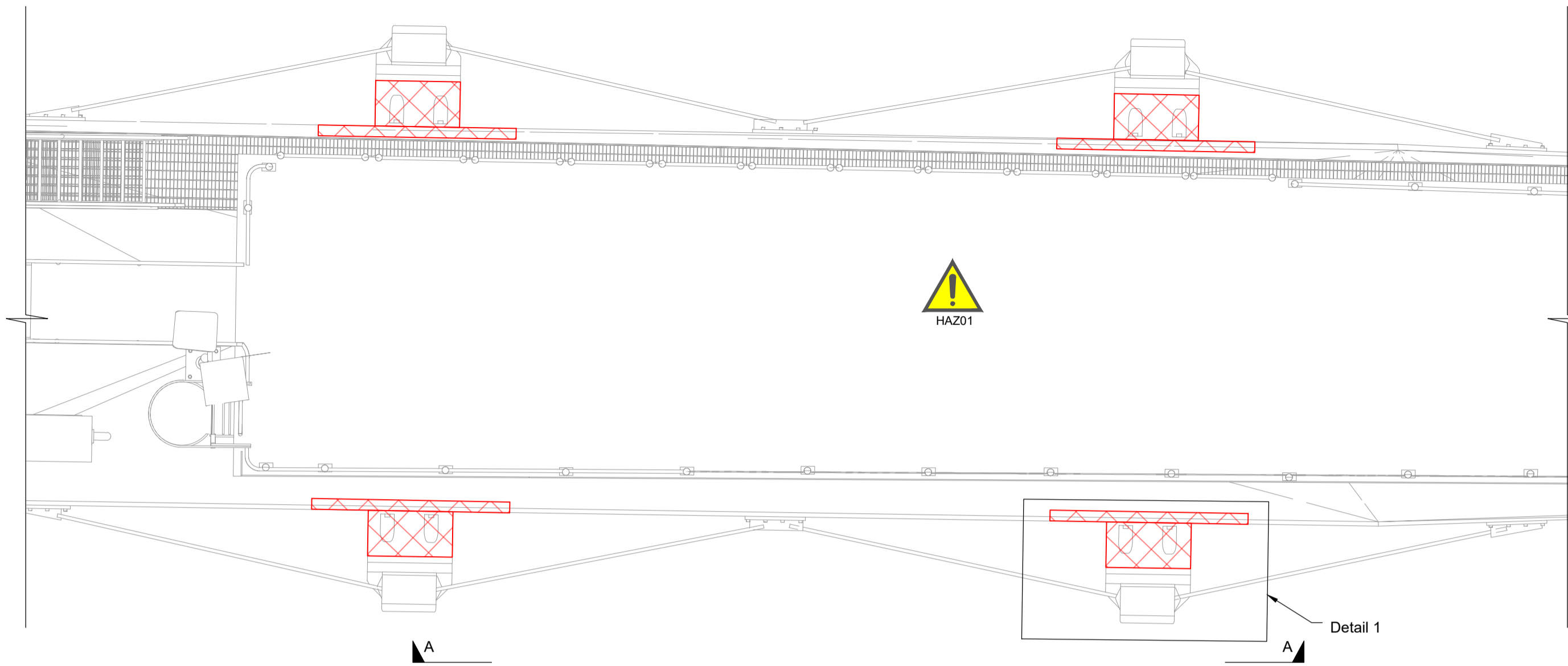
Client

Caledonian Maritime Assets Limited
Municipal Buildings
Fore Street
Port Glasgow
PA14 5EQ

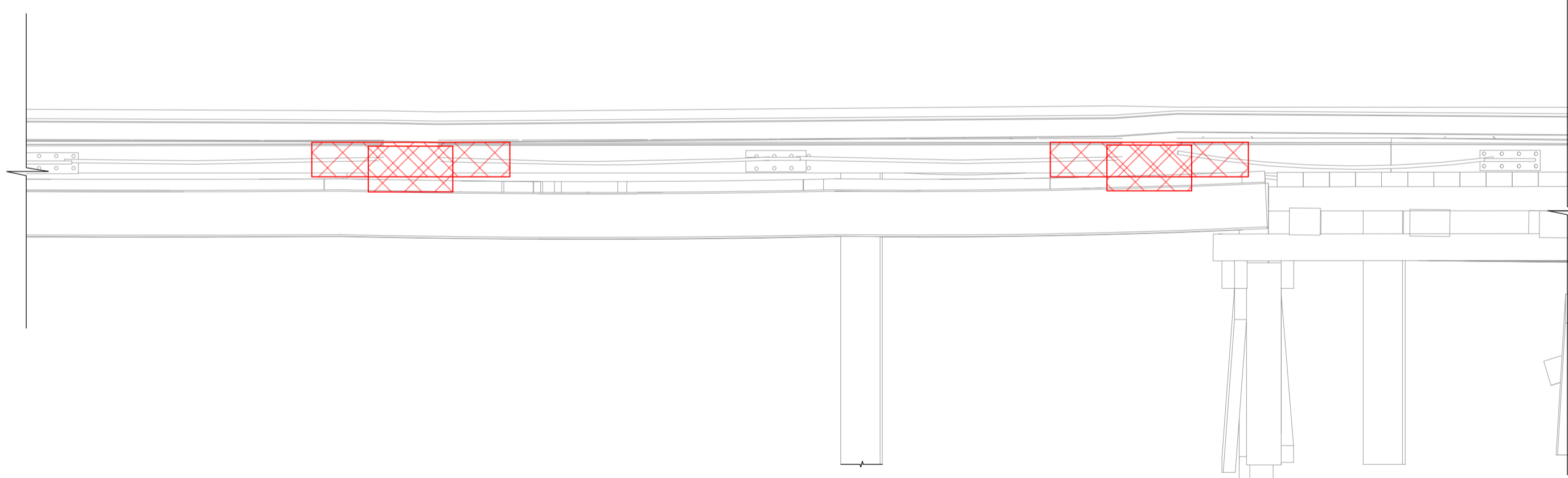
Title

New Islay Vessel Port Enabling Works
Kennacraig
Inner Dolphin Demolition

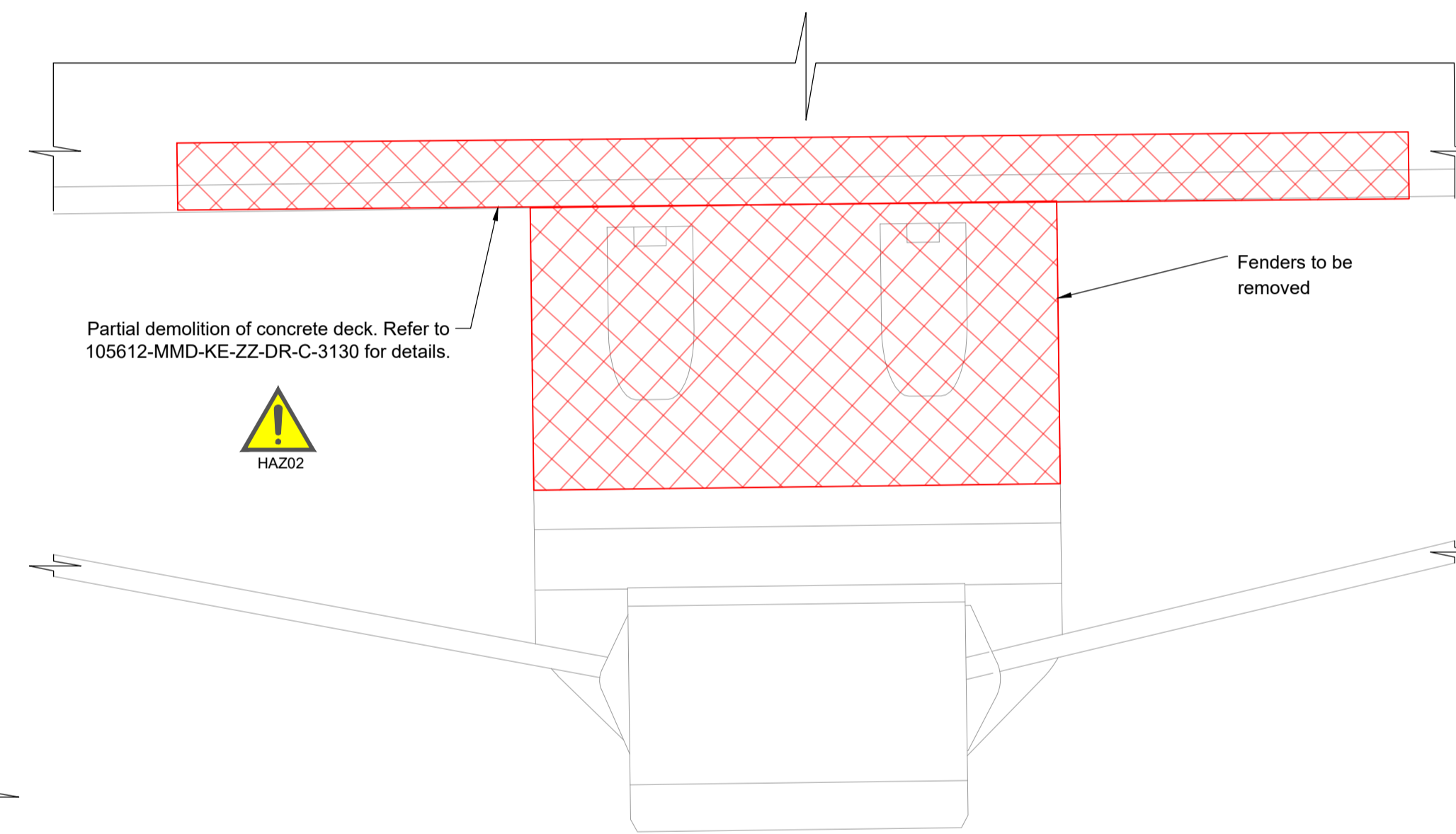
Designed	F. Hogg	FH	Eng check	B. Radcliffe	BAR
Drawn	C. Campbell	CC	Coordination	G. Mathers	GM
Dwg check	G. Mathers	GM	Approved	C. Ohi	CO
MMD Project Number	105612	Scale at A1	As Indicated	Security	STD
Suitability Description	Authorised and Accepted				Suit. Code
Drawing Number	105612-MMD-KE-ZZ-DR-C-0221				Rev
					C01



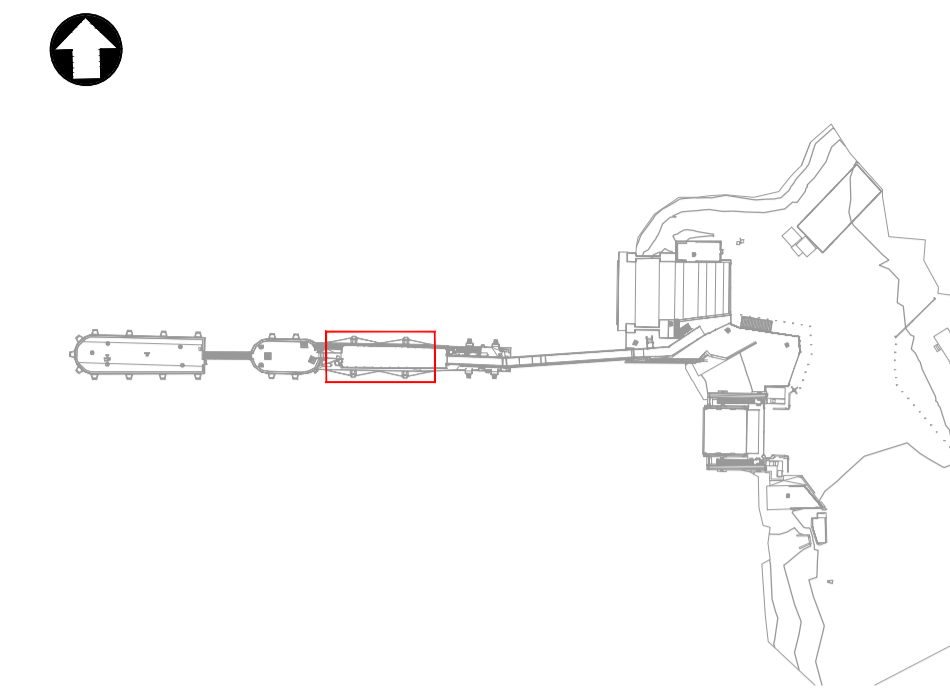
Plan
Scale - 1:50



Elevation A-A
Scale - 1:50



Detail 1
Scale - 1:10



Key Plan
Scale 1:1250

- Notes
- All chainages are in metres.
 - All dimensions in millimetres unless noted otherwise.
 - All levels in metres relative to Chart Datum (mCD) unless noted otherwise.
 - DO NOT SCALE. Follow written dimensions only.
 - The Client accepts no liability for the accuracy of the topographical & bathymetrical information provided.
 - The Contractor shall verify all dimensions, elevations, coordinates, and site conditions prior to execution.
 - Dimensions followed by an asterisk are to be confirmed by the contractor on site.
 - Notes followed by + denote items that are to be in accordance with manufacturers recommendations.
 - For general notes refer to drawing 105612-MMD-(**)-ZZ-0011, where (**) denotes field 3 volume or system for the applicable project site CO, KE & PA.
 - Minor or localised demolition has not been shown for clarity.
 - Demolition to be undertaken in accordance with the specification and all licenses.

Key to symbols

	Concrete
	Extent of Demolition

Reference drawings

External Drawings:
Topographical Survey
Reference: A8287-CD
Date of Survey: 26.07.2022

C01	17.03.23	CC	Tender Issue	FH	CO
Rev	Date	Drawn	Description	Ch'k'd	App'd

Status Stamp

TENDER

<p>M MOTT MACDONALD</p>	<p>St Vincent Plaza 319 St Vincent Street Glasgow, G2 5LD United Kingdom</p>
	<p>T +44 (0)141 222 4500 F +44 (0)141 221 2048 W mottmac.com</p>

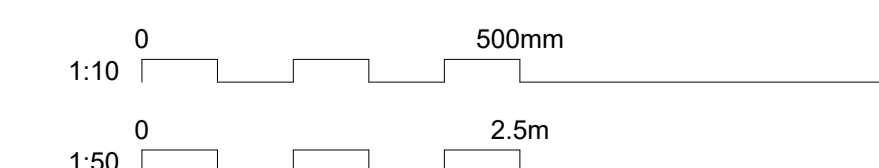
Client

Caledonian Maritime Assets Limited
Municipal Buildings
Fore Street
Port Glasgow
PA14 5EQ

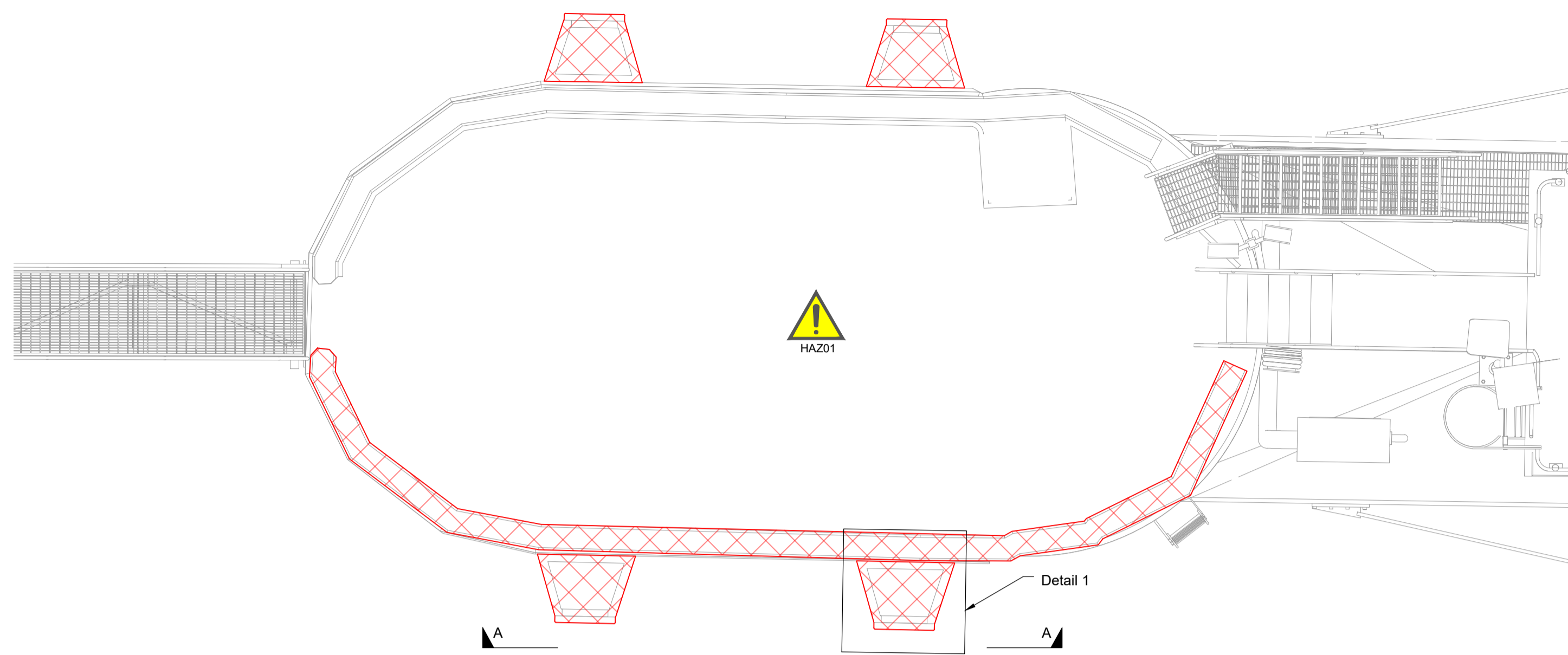
Title

**New Islay Vessel Port Enabling Works
Kennacraig
Infill Pier Demolition**

SAFETY, HEALTH AND ENVIRONMENTAL INFORMATION	
	It is a requirement that only experienced and competent contractors carry out the work described, using a recognised safe method of working. The following are specific significant residual risks identified by the designer and are additional to those hazards/risks normally associated with this type of work.
CONSTRUCTION:	01 - N/A
OPERATIONS:	02 - N/A
MAINTENANCE:	03 - N/A
DEMOLITION:	HAZ01 - Weight Restrictions on Existing Structures HAZ02 - Environmental effects associated with material falling into watercourse. Refer to relevant environmental guidance.
FUTURE ANTICIPATED WORK:	05 - N/A

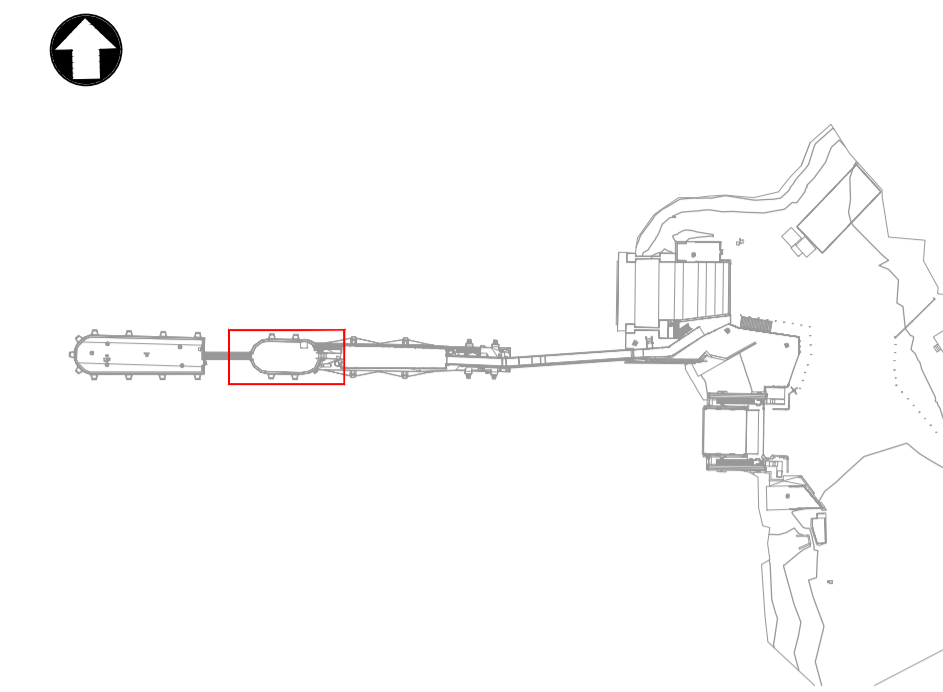


Designed	C. Flower	CF	Eng check	B. Radcliffe	BAR
Drawn	C. Campbell	CC	Coordination	G. Mathers	GM
Dwg check	F. Hogg	FH	Approved	C. Ohi	CO
MMD Project Number	105612	Scale at A1	As Indicated	Security	STD
Suitability Description	Authorised and Accepted			Suit. Code	A1
Drawing Number	105612-MMD-KE-ZZ-DR-C-0230			Rev	C01

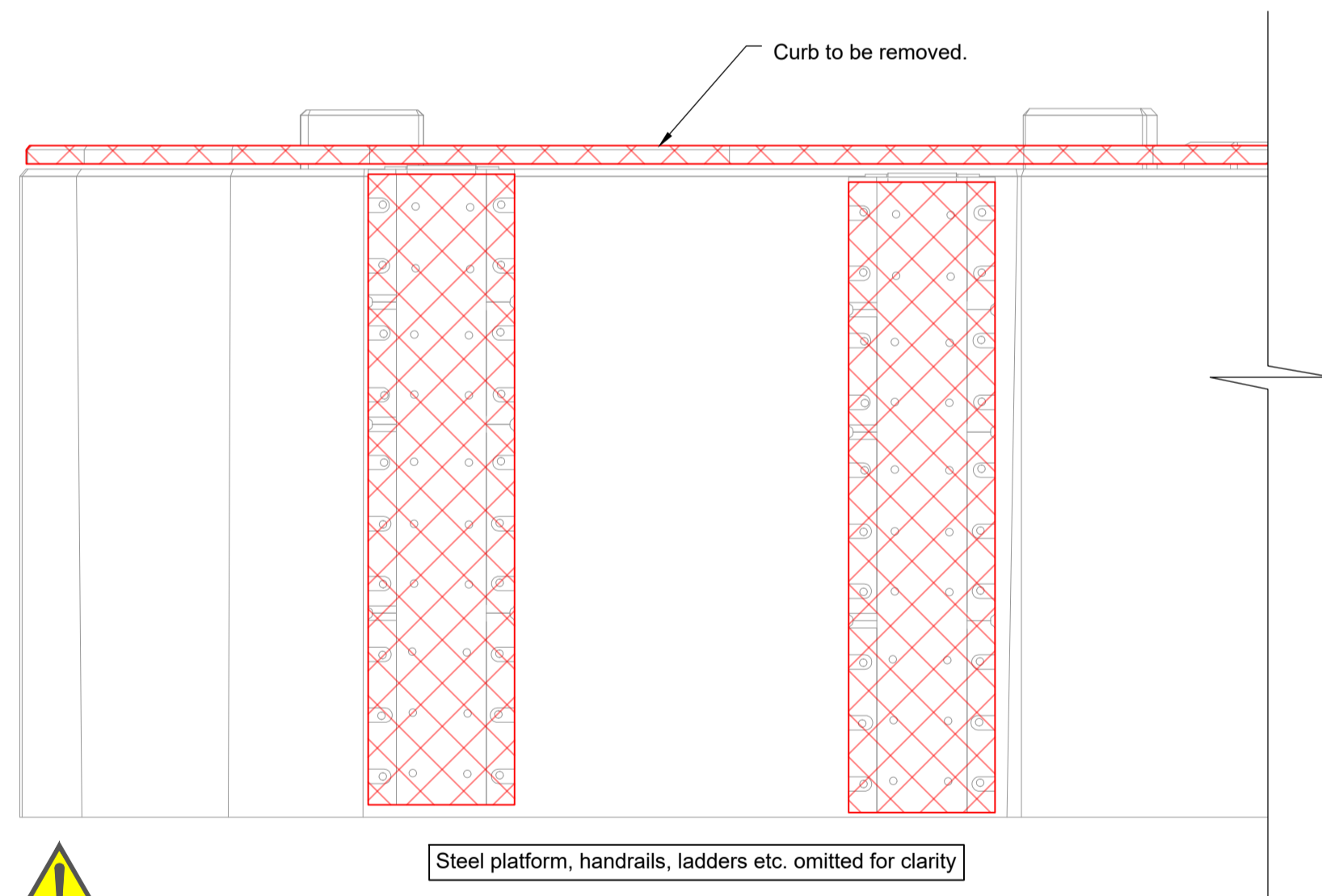


Steel platform, handrails, ladders etc. omitted for clarity

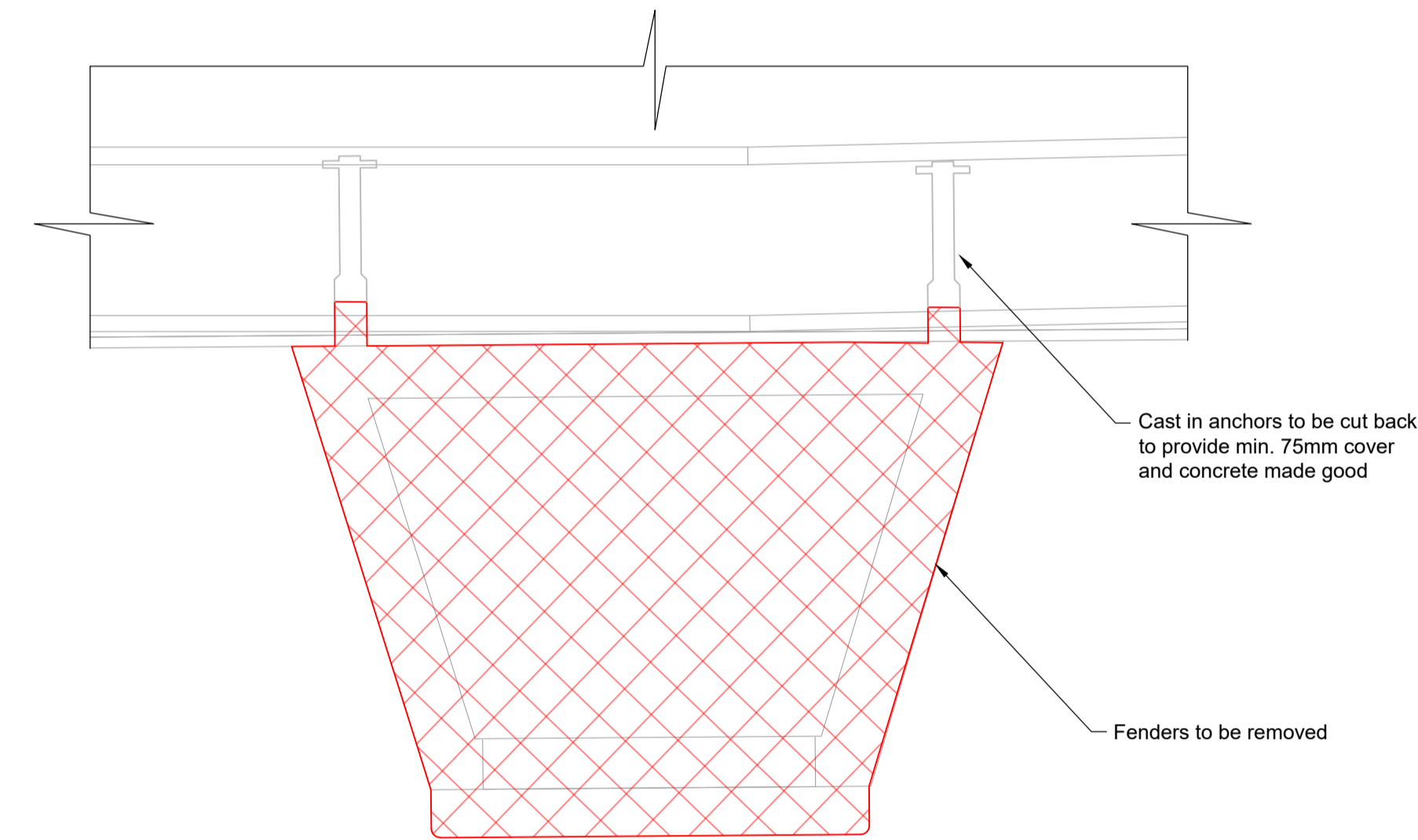
Plan
Scale - 1:50



Key Plan
Scale 1:1250



Elevation A-A
Scale - 1:50



Detail 1
Scale - 1:10

HAT	+1.60 mCD
MHWS	+1.10 mCD
MLWS	+0.60 mCD
LAT	+0.00 mCD



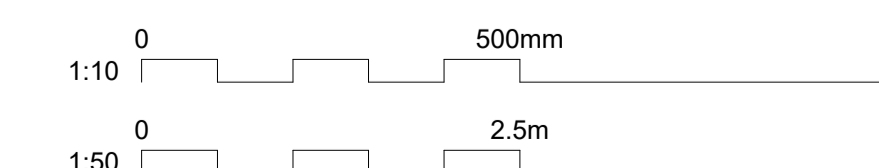
Steel platform, handrails, ladders etc. omitted for clarity

SAFETY, HEALTH AND ENVIRONMENTAL INFORMATION



It is a requirement that only experienced and competent contractors carry out the work described, using a recognised safe method of working. The following are specific significant residual risks identified by the designer and are additional to those hazards/risks normally associated with this type of work.

CONSTRUCTION: HAZ01 - Weight Restrictions on Existing Quay tbc
OPERATIONS: 02 - N/A
MAINTENANCE: 03 - N/A
DEMOLITION: HAZ02 - Submerged structures / tidal working
FUTURE ANTICIPATED WORK: 05 - N/A



- Notes**
- All chainages are in metres.
 - All dimensions in millimetres unless noted otherwise.
 - All levels in metres relative to Chart Datum (mCD) unless noted otherwise.
 - DO NOT SCALE. Follow written dimensions only.
 - The Client accepts no liability for the accuracy of the topographical & bathymetrical information provided
 - The Contractor shall verify all dimensions, elevations, coordinates, and site conditions prior to execution.
 - Dimensions followed by an asterisks are to be confirmed by the contractor on site.
 - Notes followed by + denote items that are to be in accordance with manufacturers recommendations.
 - For general notes refer to drawing 105612-MMD-**-ZZ-0011, where (**) denotes field 3 volume or system for the applicable project site CO, KE & PA.
 - Minor or localised demolition has not been shown for clarity.
 - Demolition to be undertaken in accordance with the specification and all licenses.

Key to symbols

	Concrete
	Extent of Demolition

Reference drawings

External Drawings:
Topographical Survey
Reference: A8287-CD
Date of Survey: 26.07.2022

C01	17.03.23	CC	Tender Issue	FH	CO
Rev	Date	Drawn	Description	Ch'k'd	App'd

Status Stamp **TENDER**

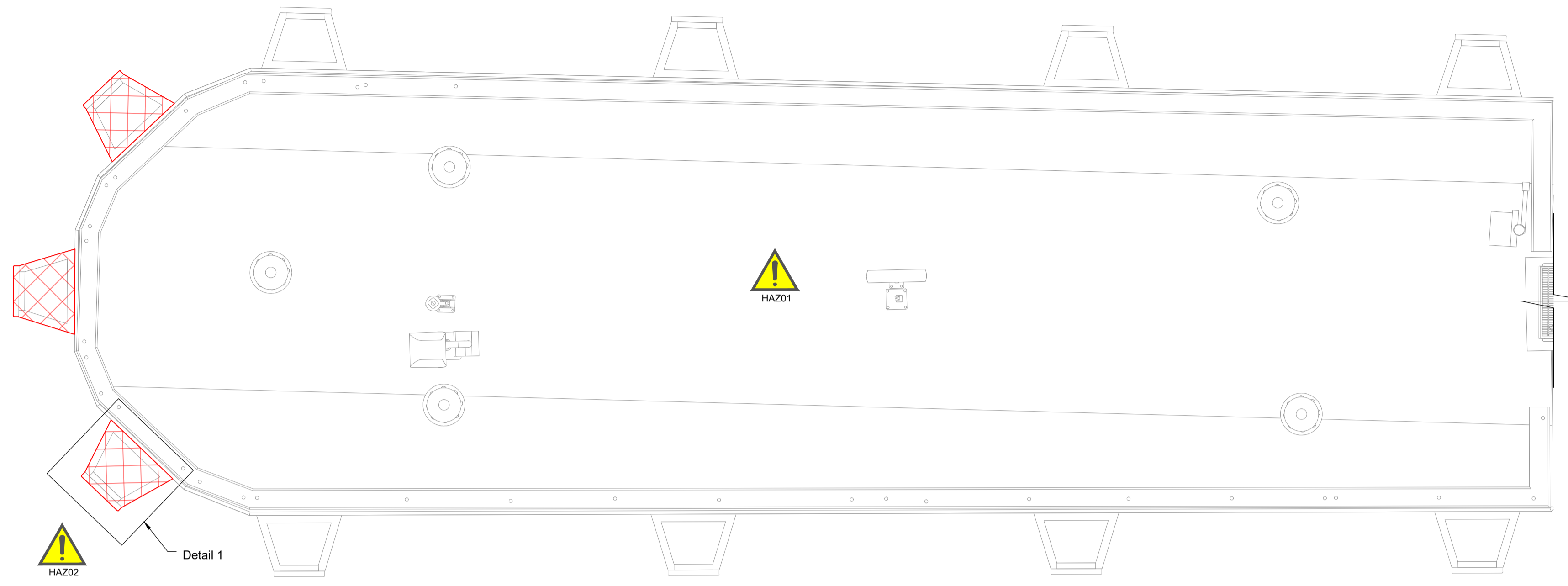
	St Vincent Plaza 319 St Vincent Street Glasgow, G2 5LD United Kingdom
	T +44 (0)141 222 4500 F +44 (0)141 221 2048 W mottmac.com

Client
Caledonian Maritime Assets Limited
 Municipal Buildings
 Fore Street
 Port Glasgow
 PA14 5EQ

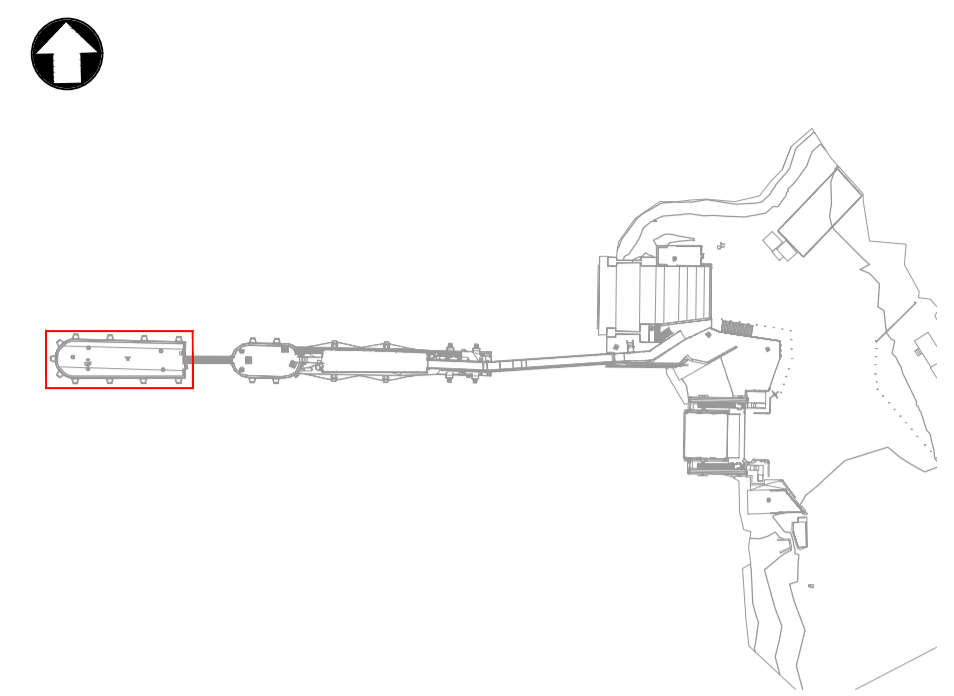
Title
New Islay Vessel Port Enabling Works
Kennacraig
Middle Dolphin Demolition

Designed	F. Hogg	FH	Eng check	B. Radcliffe	BAR
Drawn	C. Campbell	CC	Coordination	G. Mathers	GM
Dwg check	G. Mathers	GM	Approved	C. Ohl	CO
MMD Project Number	105612	Scale at A1	As Indicated	Security	STD

Suitability Description	Authorised and Accepted	Suit. Code	A1
Drawing Number	105612-MMD-KE-ZZ-DR-C-0240	Rev	C01



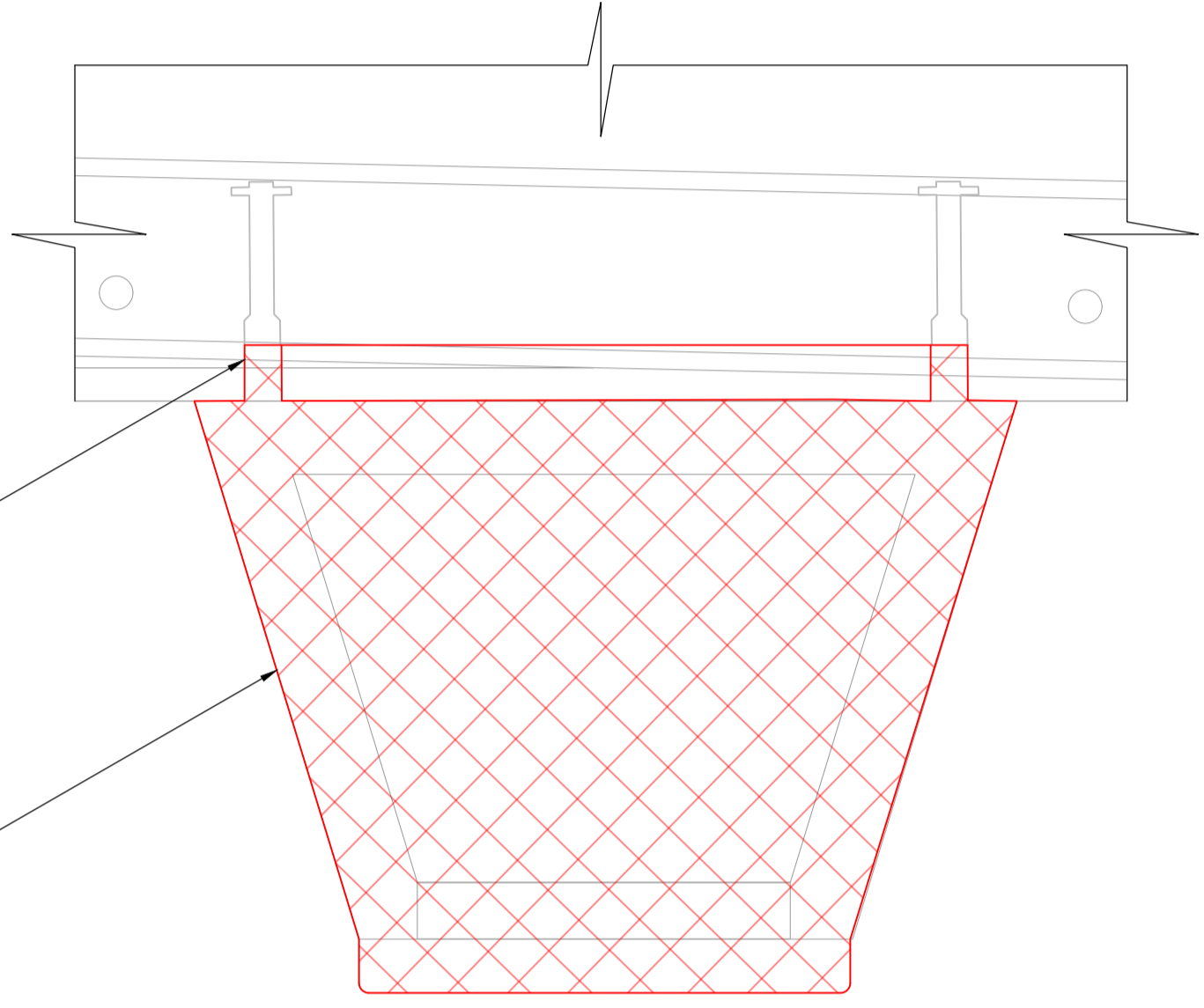
Plan
Scale - 1:50



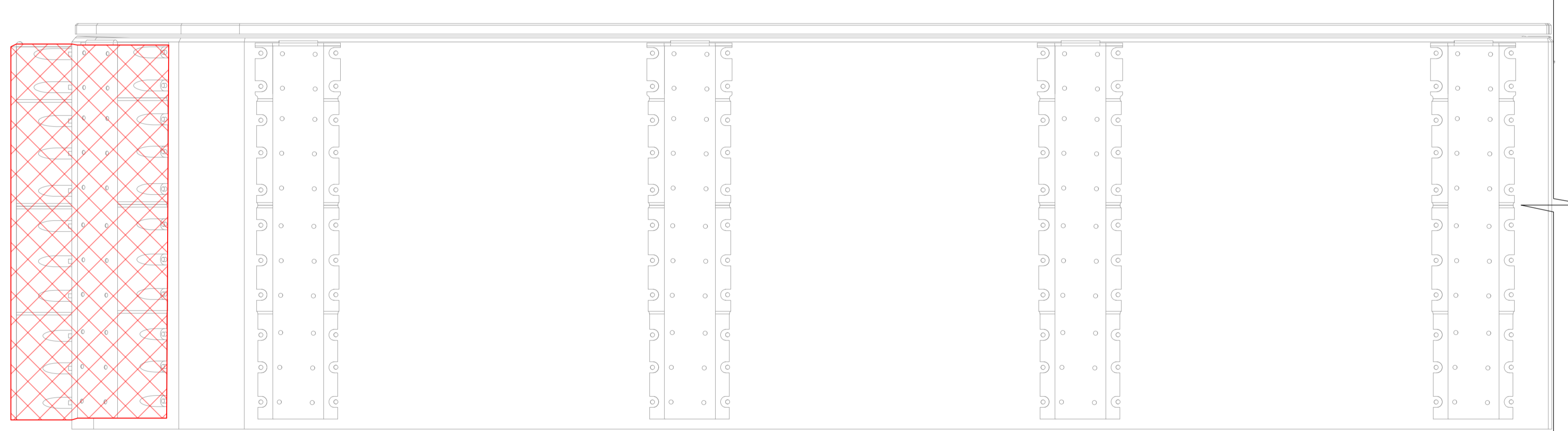
Key Plan
Scale 1:1250

Cast in anchors to be cut back to provide min. 75mm cover and concrete made good

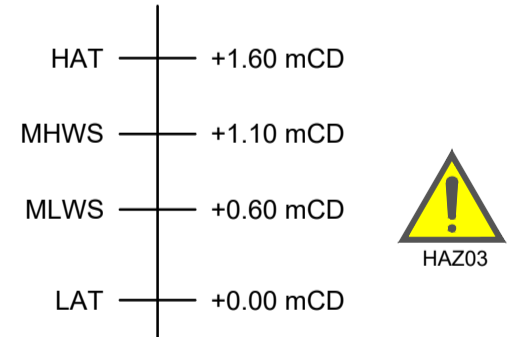
Fenders to be removed



Detail 1
Scale - 1:10



Elevation A-A
Scale - 1:50



- Notes
- All chainages are in metres.
 - All dimensions in millimetres unless noted otherwise.
 - All levels in metres relative to Chart Datum (mCD) unless noted otherwise.
 - DO NOT SCALE. Follow written dimensions only.
 - The Client accepts no liability for the accuracy of the topographical & bathymetrical information provided
 - The Contractor shall verify all dimensions, elevations, coordinates, and site conditions prior to execution.
 - Dimensions followed by an asterisk are to be confirmed by the contractor on site.
 - Notes followed by + denote items that are to be in accordance with manufacturers recommendations.
 - For general notes refer to drawing 105612-MMD-(**)-ZZ-0011, where (**) denotes field 3 volume or system for the applicable project site CO, KE & PA.
 - Minor or localised demolition has not been shown for clarity.
 - Demolition to be undertaken in accordance with the specification and all licenses.

Key to symbols

	Concrete
	Extent of Demolition

Reference drawings

External Drawings:
Topographical Survey
Reference: A8287-CD
Date of Survey: 26.07.2022

Rev	Date	Drawn	Description	Ch'k'd	App'd
C01	17.03.23	CC	Tender Issue	FH	CO

Status Stamp

TENDER

	St Vincent Plaza 319 St Vincent Street Glasgow, G2 5LD United Kingdom T +44 (0)141 222 4500 F +44 (0)141 221 2048 W mottmac.com
--	---

Client

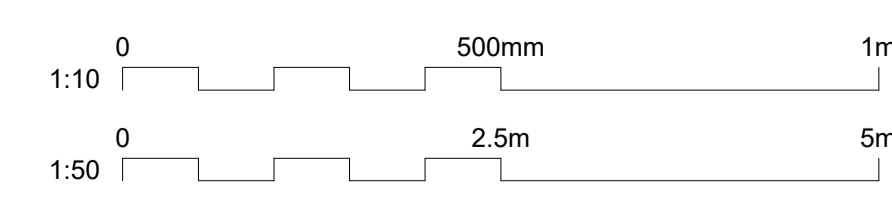
Caledonian Maritime Assets Limited
 Municipal Buildings
 Fore Street
 Port Glasgow
 PA14 5EQ

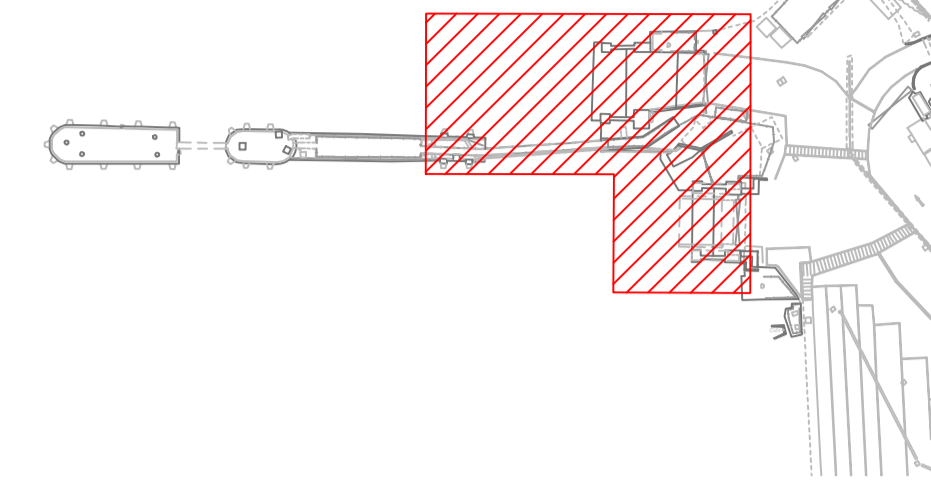
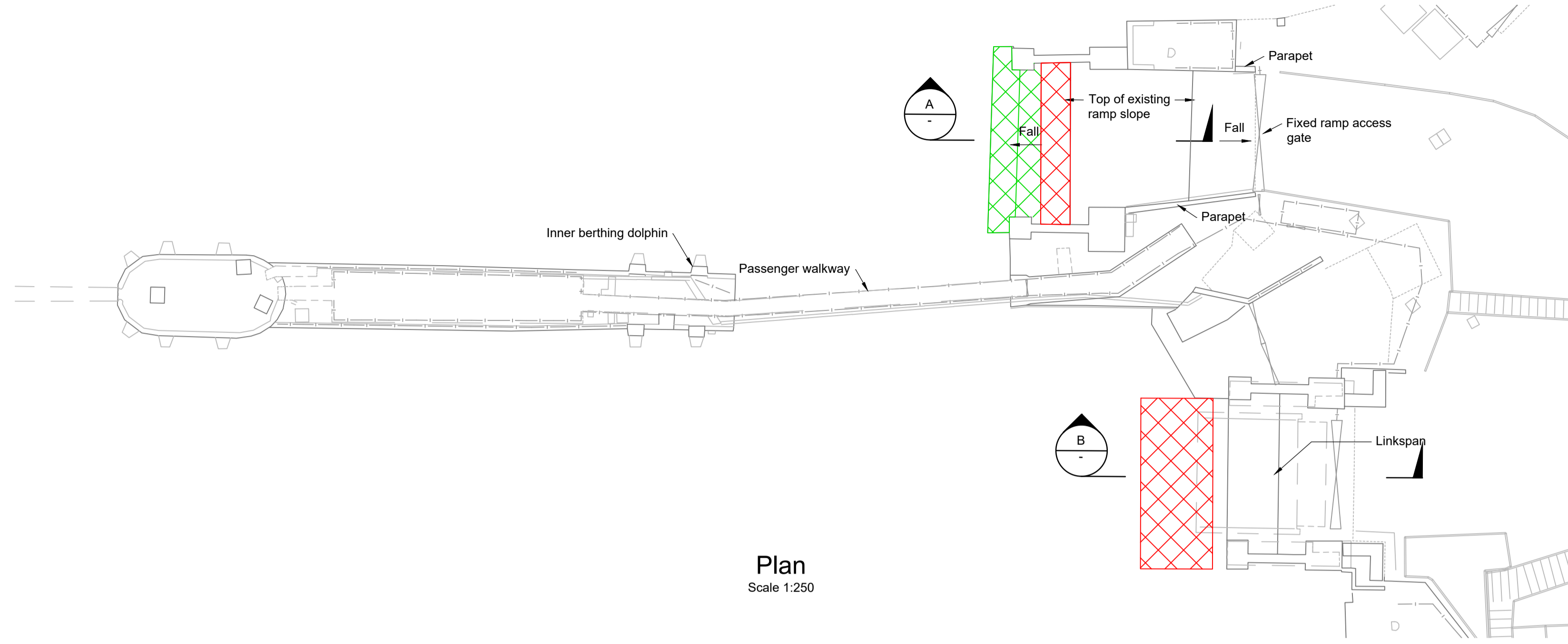
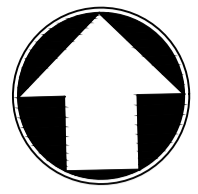
Title

New Islay Vessel Port Enabling Works
Kennacraig
Outer Dolphin Demolition

Designed	F. Hogg	FH	Eng check	B. Radcliffe	BAR
Drawn	C. Campbell	CC	Coordination	G. Mathers	GM
Dwg check	G. Mathers	GM	Approved	C. Ohl	CO
MMD Project Number	105612	Scale at A1	As Indicated	Security	STD
Suitability Description	Authorised and Accepted				Suit. Code
Drawing Number	105612-MMD-KE-ZZ-DR-C-0250				Rev
					C01

SAFETY, HEALTH AND ENVIRONMENTAL INFORMATION	
	It is a requirement that only experienced and competent contractors carry out the work described, using a recognised safe method of working. The following are specific significant residual risks identified by the designer and are additional to those hazards/risks normally associated with this type of work.
CONSTRUCTION:	HAZ01 - Weight Restrictions on Existing Quay tbc
OPERATIONS:	HAZ02 - Disruption to service if fender not present
MAINTENANCE:	03 - N/A
DEMOLITION:	HAZ03 - Submerged structures / tidal working
FUTURE ANTICIPATED WORK:	05 - N/A





Key Plan
Scale 1:1250

Plan
Scale 1:250

- Notes
- All chainages are in metres.
 - All dimensions in millimetres unless noted otherwise.
 - All levels in metres relative to Chart Datum (mCD) unless noted otherwise.
 - DO NOT SCALE. Follow written dimensions only.
 - The Client accepts no liability for the accuracy of the topographical & bathymetrical information provided.
 - The Contractor shall verify all dimensions, elevations, coordinates, and site conditions prior to execution.
 - Dimensions followed by an asterisk are to be confirmed by the contractor on site.
 - Notes followed by + denote items that are to be in accordance with manufacturers recommendations.
 - For general notes refer to drawing 105612-MMD-(**)-ZZ-0011, where (**) denotes field 3 volume or system for the applicable project site CO, KE & PA.
 - Minor or localised demolition has not been shown for clarity.
 - Demolition to be undertaken in accordance with the specification and all licenses.

Key to symbols

- Existing Concrete
- Area of concrete to be broken out to allow installation of fixed ramp
- Area of concrete to be prepared/treated for installation of fixed ramp

Reference drawings

- External Drawings:
Topographical Survey
Reference: A8287-CD
Date of Survey: 26.07.2022
- New Fixed Ramp Details
Reference: Halcrow Dwg DS-CFMC-110-153
- Reference Drawings:
105612-MMD-KE-ZZ-DR-C-0270 Fixed Ramp Demolition
105612-MMD-KE-ZZ-DR-C-7100 Fixed Ramp General Arrangement
105612-MMD-KE-ZZ-DR-C-7130 Fixed Ramp Precast Details
105612-MMD-KE-ZZ-DR-C-7140 Fixed Ramp RC Details

C01	17.03.23	CC	Tender Issue	BR	CO
Rev	Date	Drawn	Description	Ch'k'd	App'd

Status Stamp
TENDER

MOTT MACDONALD

St Vincent Plaza
319 St Vincent Street
Glasgow, G2 5LD
United Kingdom

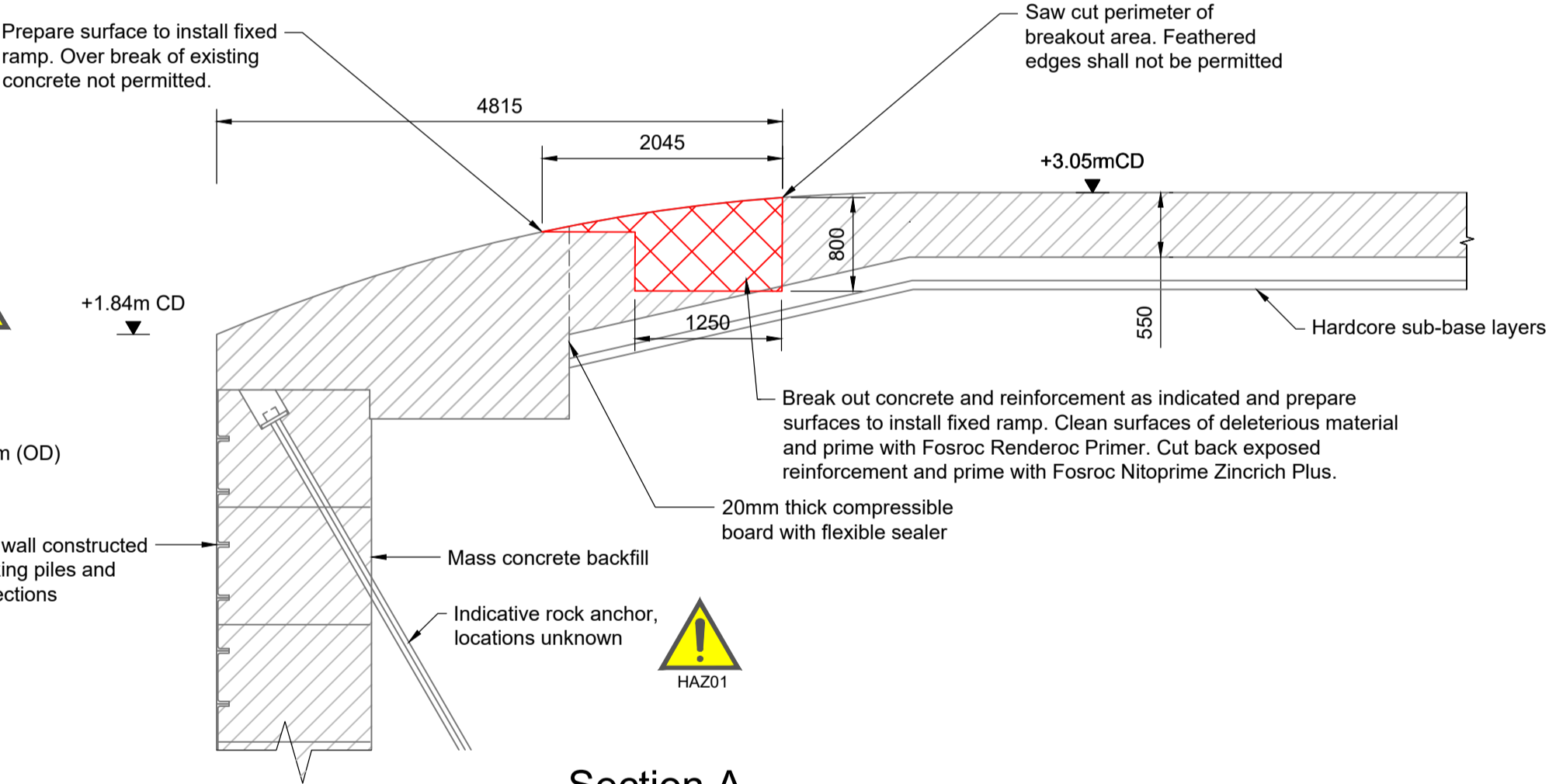
T +44 (0)141 222 4500
F +44 (0)141 221 2048
W mottmac.com

Client
Caledonian Maritime Assets Limited
Municipal Buildings
Fore Street
Port Glasgow
PA14 5EQ

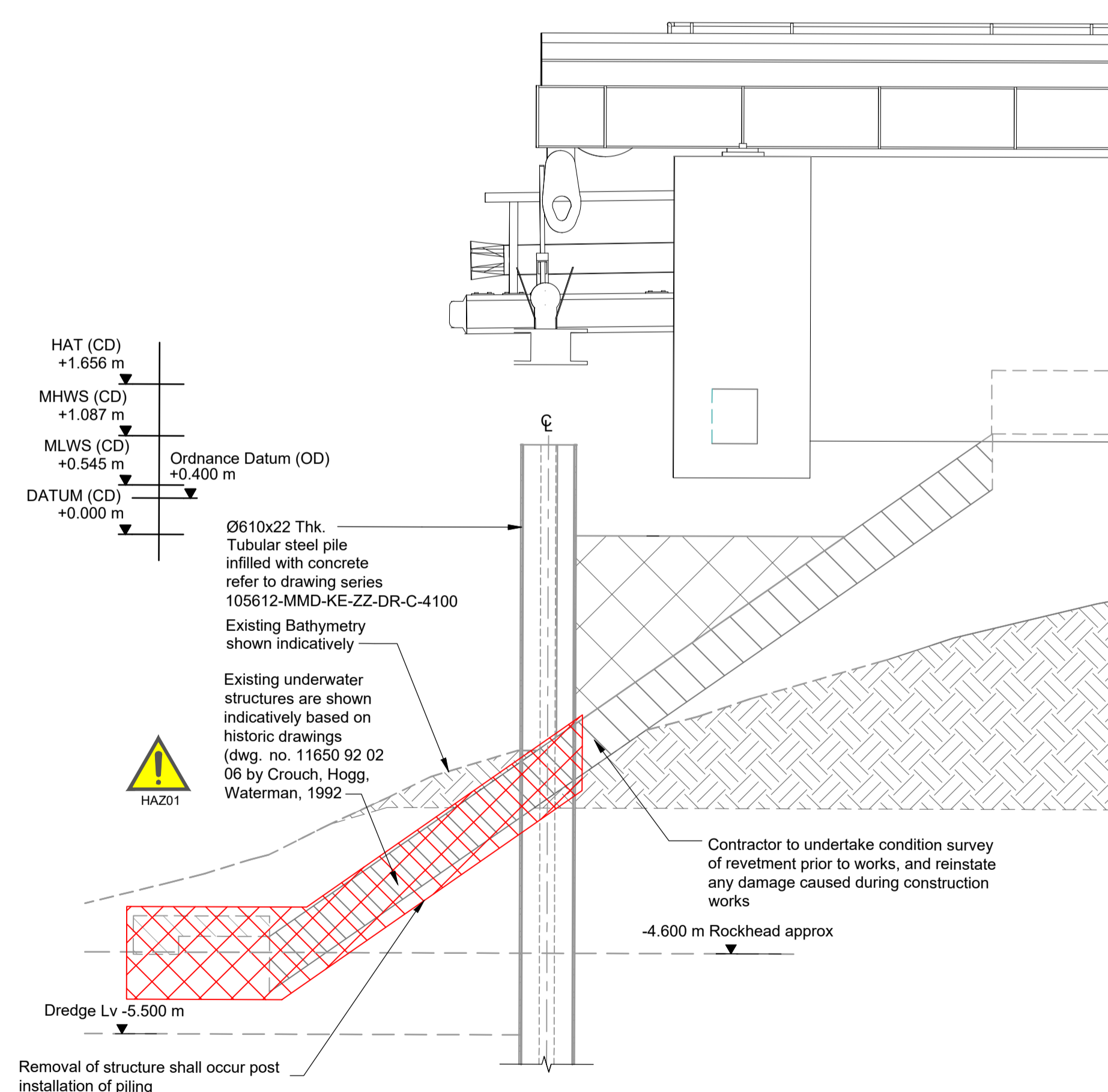
Title
**New Islay Vessel Port Enabling Works
Kennacraig Ferry Terminal
Fixed Ramp & Linkspan
Demolition**

Designed	R. Macrae	RM	Eng check	B. Radcliffe	BR
Drawn	L. Marini	LM	Coordination	G. Mather	GM
Dwg check	D. Brunner	DB	Approved	C. Ohi	CO
MMD Project Number	105612	Scale at A1	As Indicated	Security	STD
Suitability Description	Authorised and Accepted				Suit. Code A1
Drawing Number	105612-MMD-KE-ZZ-DR-C-0270				Rev C01

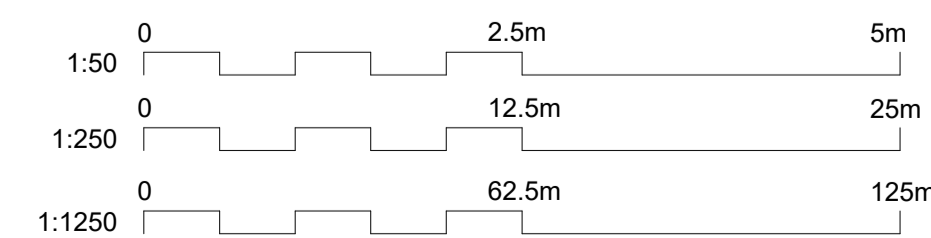
SAFETY, HEALTH AND ENVIRONMENTAL INFORMATION	
	It is a requirement that only experienced and competent contractors carry out the work described, using a recognised safe method of working. The following are specific significant residual risks identified by the designer and are additional to those hazards/risks normally associated with this type of work.
CONSTRUCTION:	HAZ01 - Unknown location of existing structures
OPERATIONS:	02 - N/A
MAINTENANCE:	03 - N/A
DEMOLITION:	HAZ02 - Tidal working
FUTURE ANTICIPATED WORK:	05 - N/A



Section A
Scale 1:50



Section B
Scale 1:50



- Notes
- All chainages are in metres.
 - All dimensions in millimetres unless noted otherwise.
 - All levels in metres relative to Chart Datum (mCD) unless noted otherwise.
 - DO NOT SCALE. Follow written dimensions only.
 - The Client accepts no liability for the accuracy of the topographical & bathymetrical information provided.
 - The Contractor shall verify all dimensions, elevations, coordinates, and site conditions prior to execution.
 - Dimensions followed by an asterisks are to be confirmed by the contractor on site.
 - Notes followed by + denote items that are to be in accordance with manufacturers recommendations.
 - For general notes refer to drawing 105612-MMD-(**)-ZZ-0011
(**) denotes field 3 Volume or system varies per project site CO, KE & PA.

- Key to symbols
- CS-0 E 00000.000 N 00000.000 Denotes Survey Control station coordinates
 - E 00000.000 N 00000.000 Denotes Proposed works setting out coordinates
 - SOP 100 Denotes Proposed works Setting Out Point

Reference drawings

External Drawings:

Topographical Survey
Reference: A8287-CD
Date of Survey: 26.07.2022

Rev	Date	Drawn	Description	Ch'k'd	App'd
C01	17.03.2023	CC	Tender Issue	BR	CO

Status Stamp

TENDER

MOTT MACDONALD

Mott MacDonald
St Vincent Plaza
319 St Vincent Street
Glasgow, G2 5LD
United Kingdom

T +44 (0)141 222 4500
F +44 (0)141 221 2048
W mottmac.com

Client

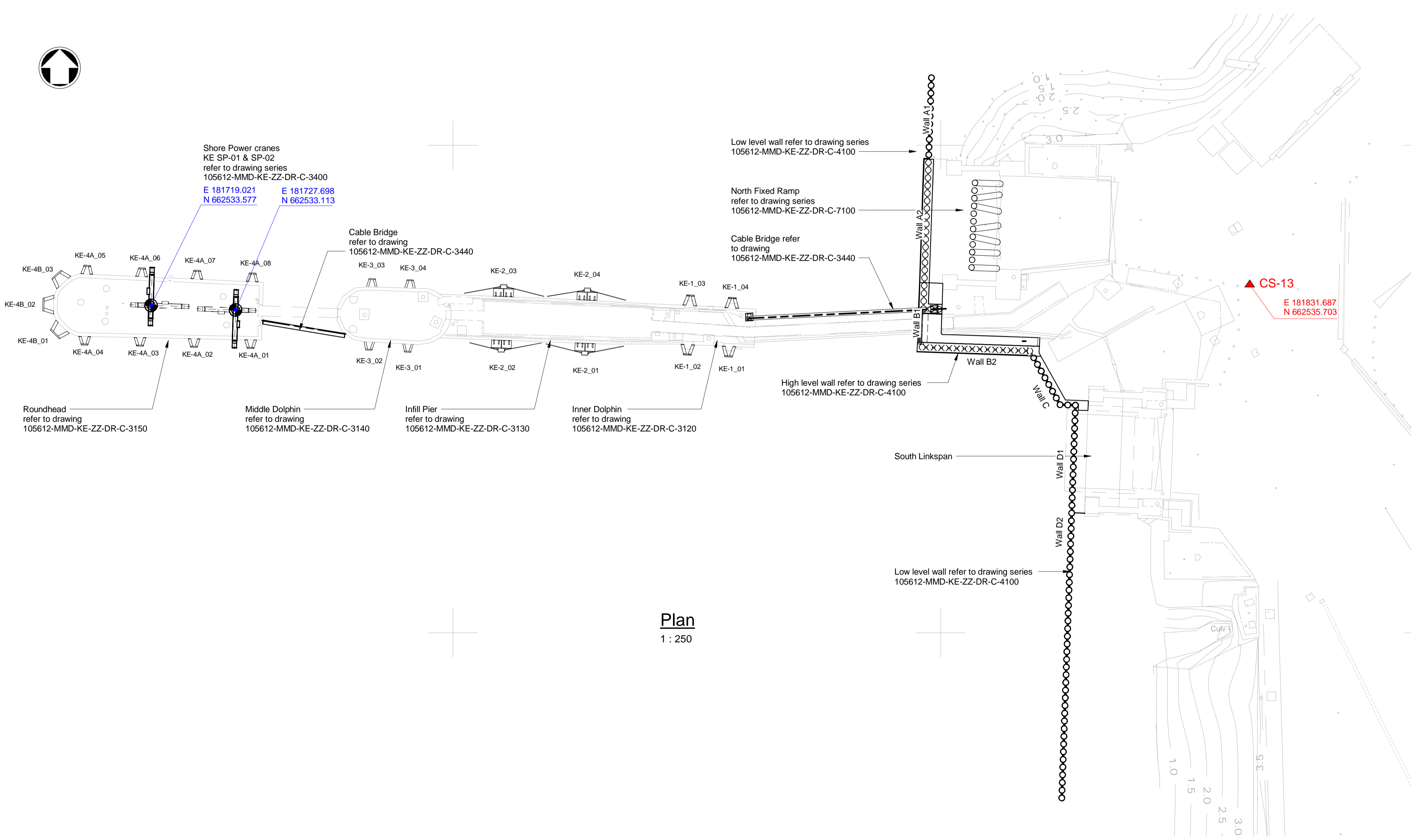
Caledonian Maritime Assets Limited
Municipal Buildings
Fore Street
Port Glasgow
PA14 5EQ



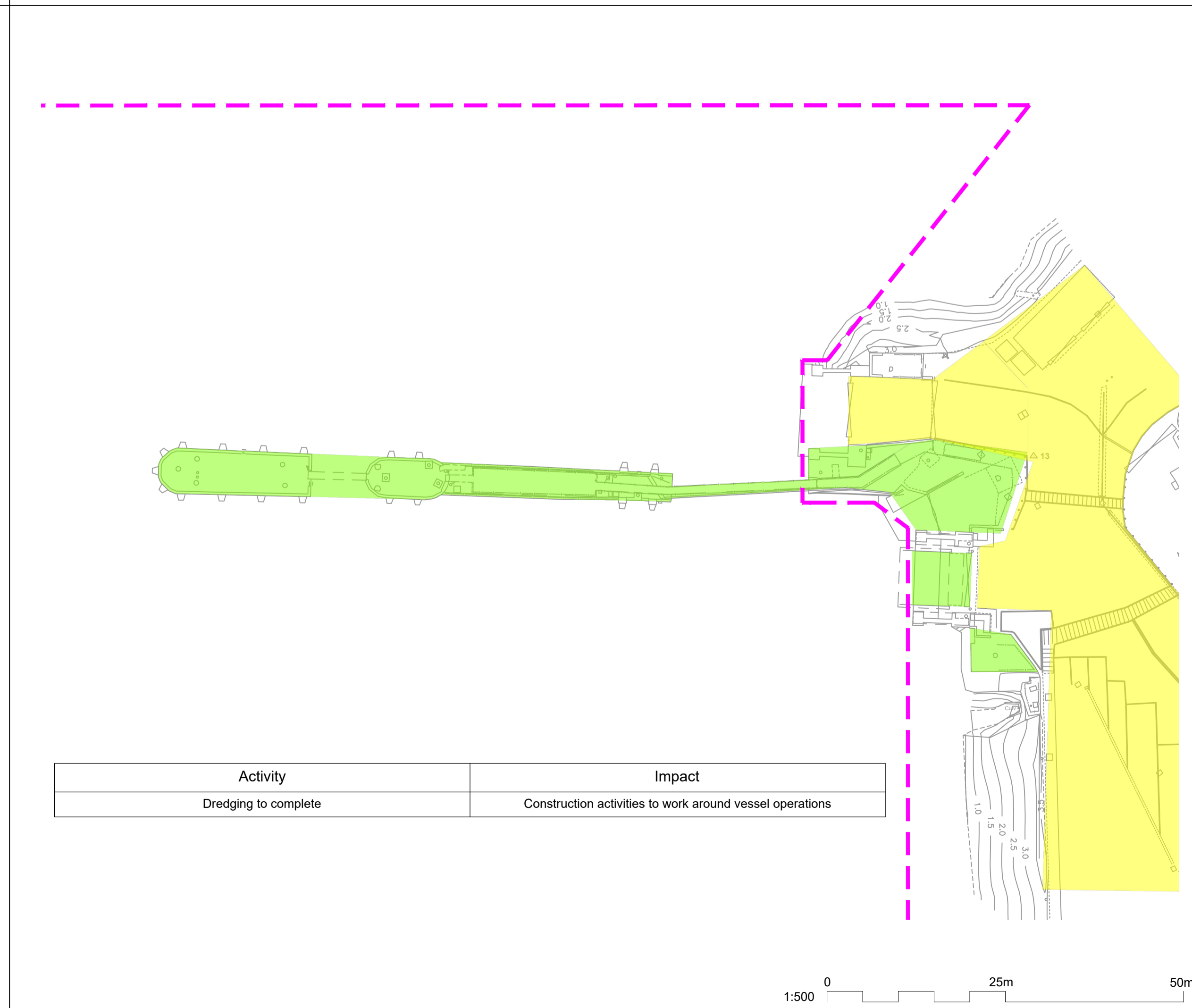
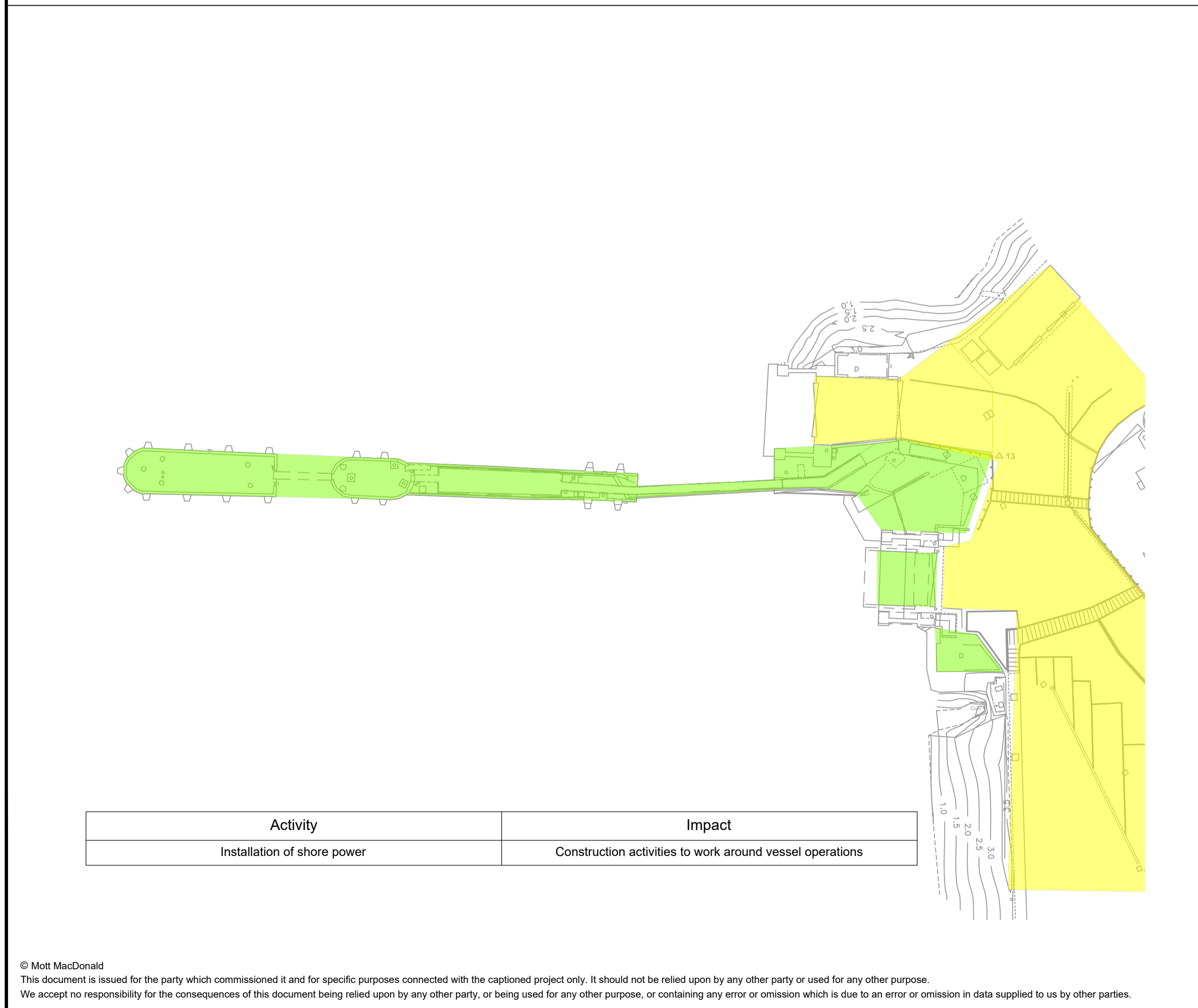
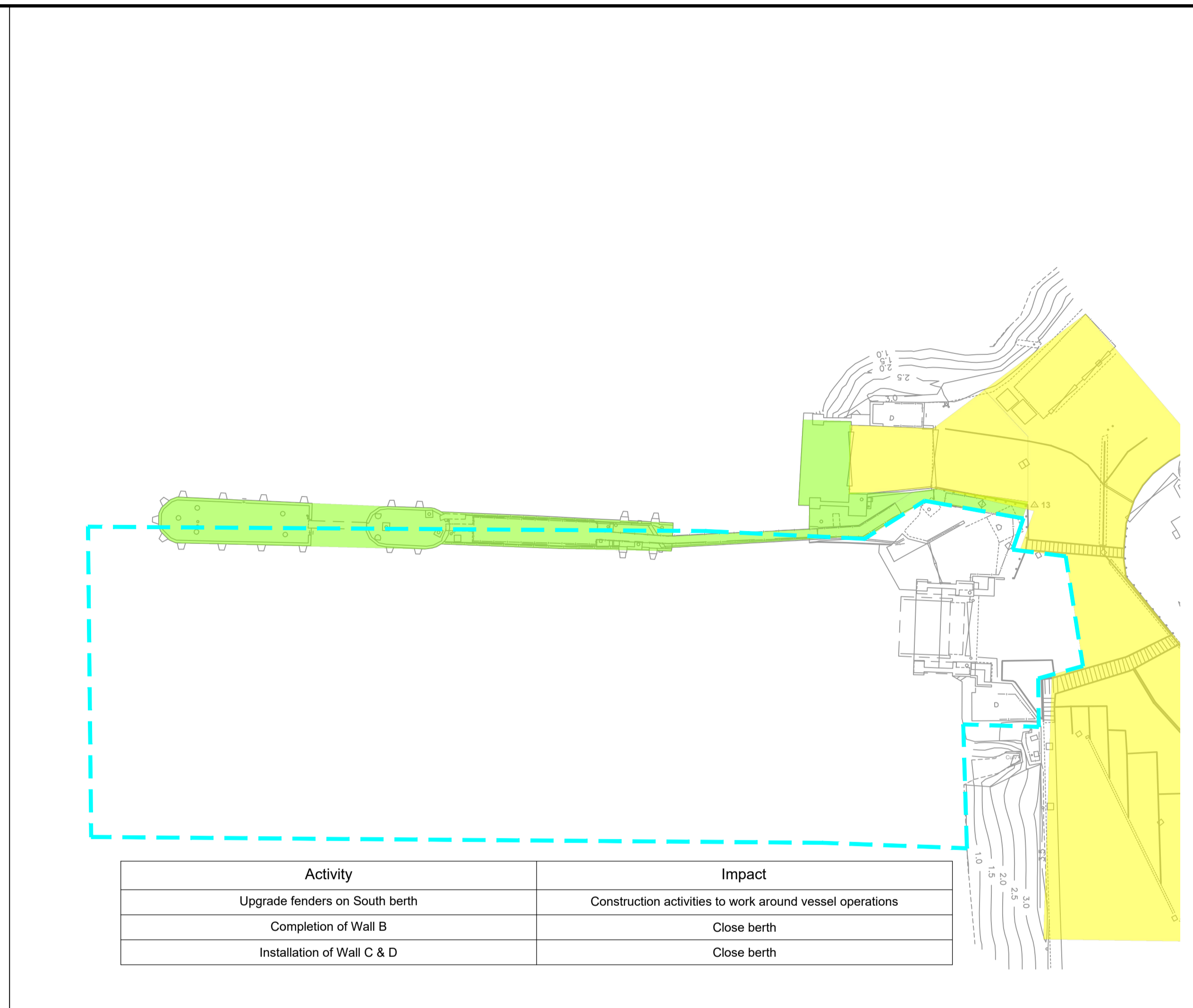
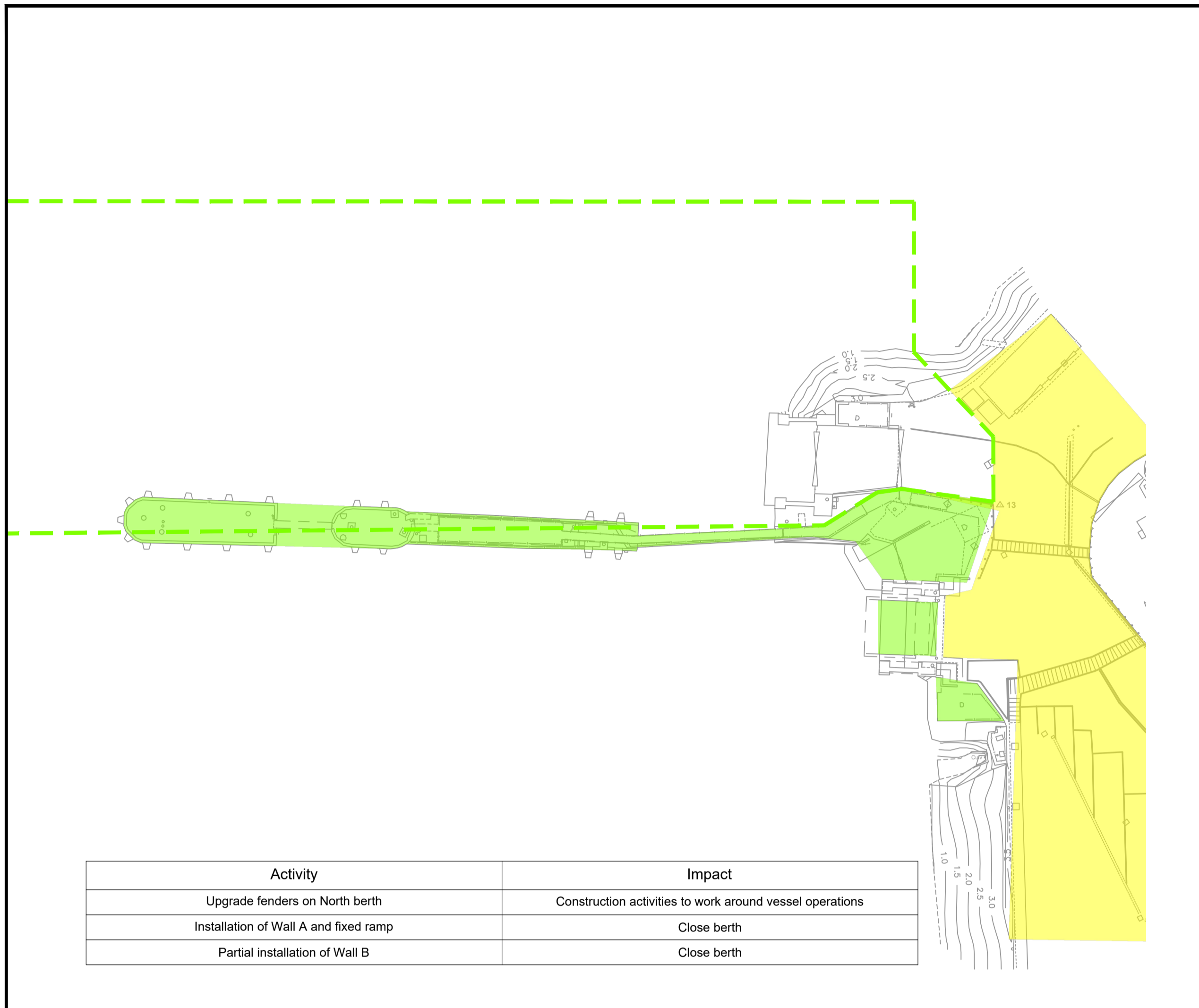
Title

New Islay Vessel Port Enabling Works
Kennacraig
General Arrangement
& Setting Out

Designed	B. Radcliffe	BR	Eng. Check	B. Radcliffe	BR
Drawn	G. Mather	GM	Coordination	G. Mather	GM
Dwg. Check	C. Ohi	CO	Approved	C. Ohi	CO
MMD Project Number	105612	Scale at A1	1:250	Security	STD
Suitability Description	Authorised and Accepted				Suit. Code
Drawing Number	105612-MMD-KE-ZZ-DR-C-1000				Rev
					C01



Plan
1 : 250



- Notes
1. These drawings are indicative only and are subject to design development.
 2. All dimensions in millimetres unless noted otherwise.
 3. All bathymetric levels in metres relative to Chart Datum (mCD) unless noted otherwise.
 4. All topographical levels in metres relative to Chart Datum (mCD) unless noted otherwise.
 5. DO NOT SCALE. Follow written dimensions only.
 6. The Client accepts no liability for the accuracy of the topographical & bathymetric information provided.
 7. The Contractor shall verify all dimensions, elevations, coordinates, and site conditions prior to execution.
 8. For general notes refer to drawing 105612-MMD-(**)-ZZ-0011, where (**) denotes field 3 volume or system for the applicable project site CO, KE & PA.
 9. This drawing shall be read in conjunction with the scope.
 10. The Project Manager shall be notified immediately of any discrepancy encountered on site.
 11. Unless noted otherwise access for ferry operations shall be maintained at all times. Ferry operations shall not be disrupted by the contractor.

Key to symbols

- DA - Dredging Area*
- CW1 - Contractors Working Area 1*
- CW2 - Contractors Working Area 2
- Local Access to be Maintained Throughout Works
- Pedestrian and Vehicle Access for Ferry Operations to be Maintained Clear

CONSTRUCTION SEQUENCE SHOWN IS PROPOSED IN ORDER TO MINIMISE DOWNTIME OF THE BERTH. CONTRACTOR MAY PROPOSE ALTERNATIVE SEQUENCE FOR REVIEW BY EMPLOYER

Reference drawings

External Drawings:
 Topographic Survey
 Reference: A8287-CD
 Date of Survey: 26.07.2022
 Bathymetric Survey
 Reference: A5390 2018-2019
 Date of Survey: 22.11.2018

Rev	Date	Drawn	Description	Ch'k'd	App'd
C01	17.03.23	CC	Tender Issue	BAR	CO

Status Stamp

TENDER					
---------------	--	--	--	--	--


MOTT MACDONALD

St Vincent Plaza
 319 St Vincent Street
 Glasgow, G2 5LD
 United Kingdom

T +44 (0)141 222 4500
 F +44 (0)141 221 2048
 W mottmac.com

Client

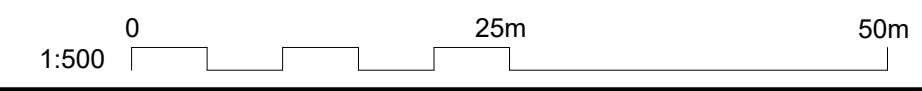
Caledonian Maritime Assets Limited
 Municipal Buildings
 Fore Street
 Port Glasgow
 PA14 5EQ

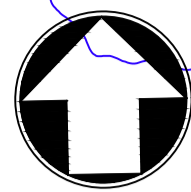


Title

**New Islay Vessel Port Enabling Works
 Kennacraig
 General Arrangement
 Construction Sequence**

Designed	B. Radcliffe	BR	Eng check	B. Radcliffe	BR
Drawn	J. Brown	JB	Coordination	G. Mather	GM
Dwg check	G. Mather	GM	Approved	C. Ohi	CO
MMD Project Number	105612	Scale at A1	1:500	Security	STD
Suitability Description	Authorised and Accepted				Suit. Code
Drawing Number	105612-MMD-KE-ZZ-DR-C-1020				Rev
					C01





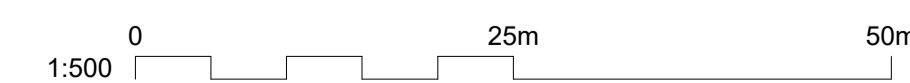
Dredging Setting Out		
Setting Out Point	Easting	Northing
SOP-KE-100	181779.3114	662568.3370
SOP-KE-101	181790.2115	662567.7011
SOP-KE-102	181799.6123	662553.2131
SOP-KE-103	181799.3695	662548.5295
SOP-KE-104	181812.6777	662514.1226
SOP-KE-105	181811.2427	662507.2509
SOP-KE-106	181801.9443	662493.9261
SOP-KE-107	181766.1441	662488.3964
SOP-KE-108	181749.5270	662477.9243
SOP-KE-109	181734.1243	662466.5809
SOP-KE-110	181704.2716	662464.6275
SOP-KE-111	181650.5406	662465.4165
SOP-KE-112	181640.0082	662473.7110

SAFETY, HEALTH AND ENVIRONMENTAL INFORMATION	
	It is a requirement that only experienced and competent contractors carry out the work described, using a recognised safe method of working. The following are specific significant residual risks identified by the designer and are additional to those hazards/risks normally associated with this type of work.
CONSTRUCTION:	HAZ01 - Underwater objects
OPERATIONS:	02 - N/A
MAINTENANCE:	03 - N/A
DEMOLITION:	04 - N/A
FUTURE ANTICIPATED WORK:	05 - N/A

Approximate position of potential under water objects to be removed to 1m below the required dredge level. Refer to historical drawings 11650(02)-02 & 11650(02)-04 for details.

Design Dredge Level (CD)	Approx. Dredge Pocket Plan Area (m ²)	Approx. Dredge Slope Plan Area (m ²)	Approx. Dredge Volume (m ³)	Approx. Dredge Volume Marine Deposits (m ³)	Approx. Dredge Volume Rock (m ³)
-5.5m	5200	2700	6800	Unknown	Unknown

Plan
Scale 1:500



- Notes
- All chainages are in metres.
 - All dimensions in millimetres unless noted otherwise.
 - All levels in metres relative to Chart Datum (mCD) unless noted otherwise.
 - DO NOT SCALE. Follow written dimensions only.
 - The Client accepts no liability for the accuracy of the topographical & bathymetric information provided.
 - The Contractor shall verify all dimensions, elevations, coordinates, and site conditions prior to execution.
 - For general notes refer to drawing 105612-MMD-(")-ZZ-0011 (**) denotes field 3 Volume or system varies per project site CO, KE & PA.
 - Dredging shall be completed in accordance with the specification, refer to spec for details.
 - Dredge Volumes are estimates, contractor shall make own assessment.
 - Volumes & areas based on Surveys. Refer to specification for dredging tolerance.

Key to symbols

	Area to be Dredged to -5.5m C.D. (Dredge Pocket)
	-5.5m C.D. Dredge Area Setting Out Point

Bathymetry Contours

1.0	-1.5m C.D. Contour
1.5	-2.0m C.D. Contour
2.0	-2.5m C.D. Contour
2.5	-3.0m C.D. Contour
3.0	-3.5m C.D. Contour
3.5	-4.0m C.D. Contour
4.0	-4.5m C.D. Contour
4.5	-5.0m C.D. Contour
5.0	-5.5m C.D. Contour
5.5	-6.0m C.D. Contour
6.0	-6.5m C.D. Contour
6.5	-7.0m C.D. Contour
7.0	-7.5m C.D. Contour
7.5	-8.0m C.D. Contour
8.0	-8.5m C.D. Contour
8.5	-9.0m C.D. Contour
9.0	-9.0m C.D. Contour

Key Reference Information

External Drawings:	Topographical Survey	Reference: A6287-CD	Date of Survey: 26.07.2022
Bathymetric Survey	Reference: A5390 2018-2019	Date of Survey: 22.11.2018	

C02	21.03.23	CC	Underwater objects	BR	CO
C01	17.03.23	CC	Tender Issue	BR	CO
Rev	Date	Drawn	Description	Ch'k'd	App'd

Status Stamp
TENDER

MOTT MACDONALD	St Vincent Plaza 319 St Vincent Street Glasgow, G2 5LD United Kingdom
	T +44 (0)141 222 4500 F +44 (0)141 221 2048 W mottmac.com

Client

Caledonian Maritime Assets Limited
Municipal Buildings
Fore Street
Port Glasgow
PA14 5EQ



Title

**New Islay Vessel Port Enabling Works
Kennacraig
Dredging Plan**

Designed	B. Radcliffe	BR	Eng check	B. Radcliffe	BR
Drawn	J. Brown	JB	Coordination	G. Mather	GM
Dwg check	G. Mather	GM	Approved	C. Ohi	CO
MMD Project Number	105612	Scale at A1	1:500	Security	STD
Suitability Description	Authorised and Accepted			Suit. Code	A1
Drawing Number	105612-MMD-KE-ZZ-DR-C-1100			Rev	C02

- Notes
- All chainages are in metres.
 - All dimensions in millimetres unless noted otherwise.
 - All levels in metres relative to Chart Datum (mCD) unless noted otherwise.
 - DO NOT SCALE. Follow written dimensions only.
 - The Client accepts no liability for the accuracy of the topographical & bathymetrical information provided.
 - The Contractor shall verify all dimensions, elevations, coordinates, and site conditions prior to execution.
 - Dimensions followed by an asterisks are to be confirmed by the contractor on site.
 - Notes followed by + denote items that are to be in accordance with manufacturers recommendations.
 - For general notes refer to drawing 105612-MMD-(**)-ZZ-0011 (** denotes field 3 Volume or system varies per project site CO, KE & PA.

Key to symbols

Reference drawings

External Drawings:

Topographical Survey
Reference: A8287-CD
Date of Survey: 26.07.2022

Rev	Date	Drawn	Description	Ch'k'd	App'd
C01	17.03.2023	CC	Tender Issue	BR	CO

Status Stamp

TENDER

MOTT MACDONALD

Mott MacDonald
St Vincent Plaza
319 St Vincent Street
Glasgow, G2 5LD
United Kingdom

T +44 (0)141 222 4500
F +44 (0)141 221 2048
W mottmac.com

Client

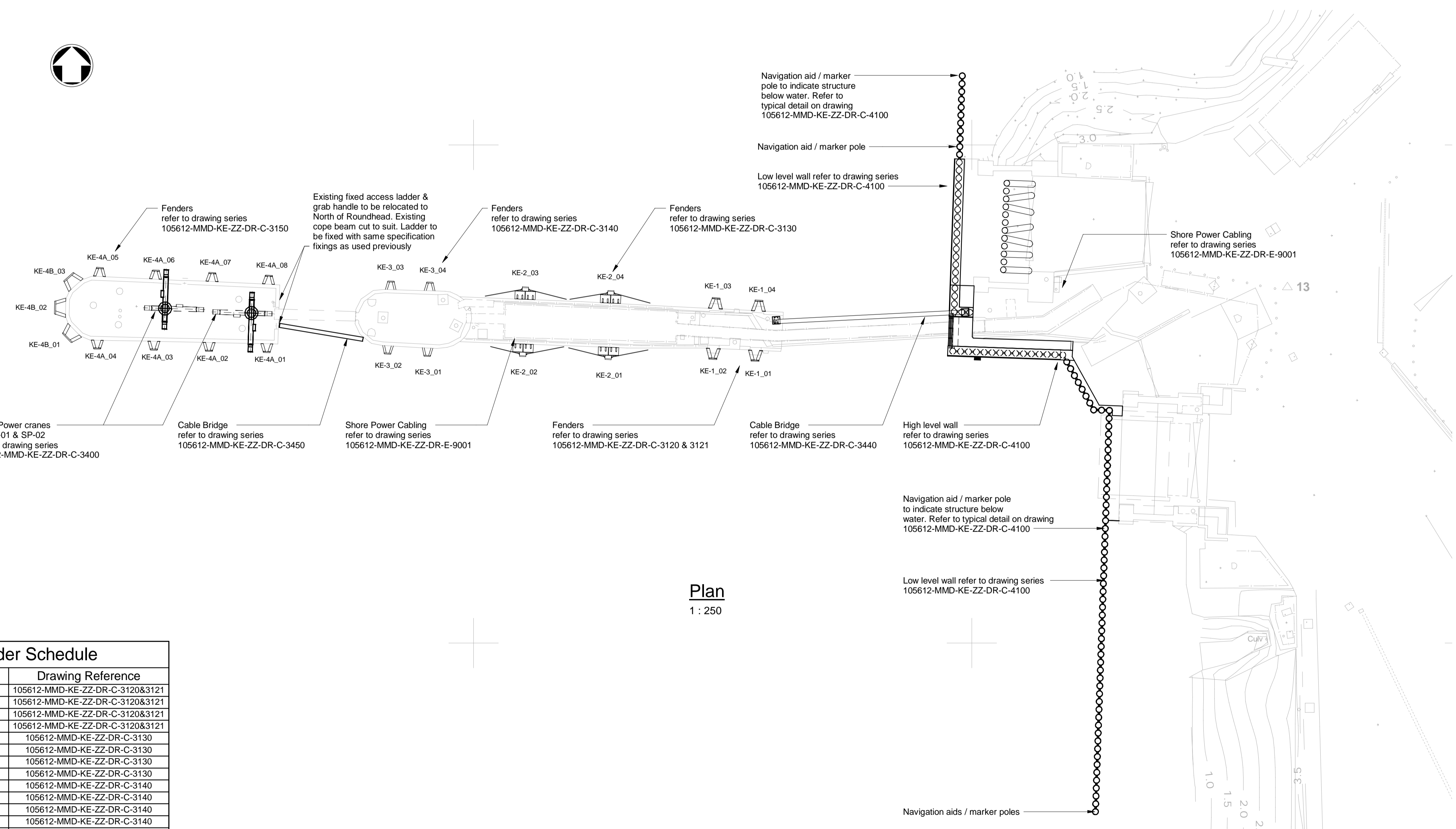
Caledonian Maritime Assets Limited
Municipal Buildings
Fore Street
Port Glasgow
PA14 5EQ



Title

**New Islay Vessel Port Enabling Works
Kennacraig
Quay Furniture General Arrangement**

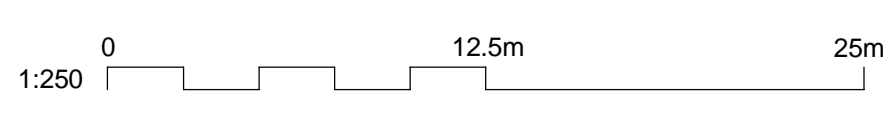
Designed	B. Radcliffe	BR	Eng. Check	B. Radcliffe	BR
Drawn	G. Mather	GM	Coordination	G. Mather	GM
Dwg. Check	C. Ohi	CO	Approved	C. Ohi	CO
MMD Project Number	105612	Scale at A1	1:250	Security	STD
Suitability Description	Authorised and Accepted				Suit. Code
Drawing Number	105612-MMD-KE-ZZ-DR-C-3000				Rev
					C01

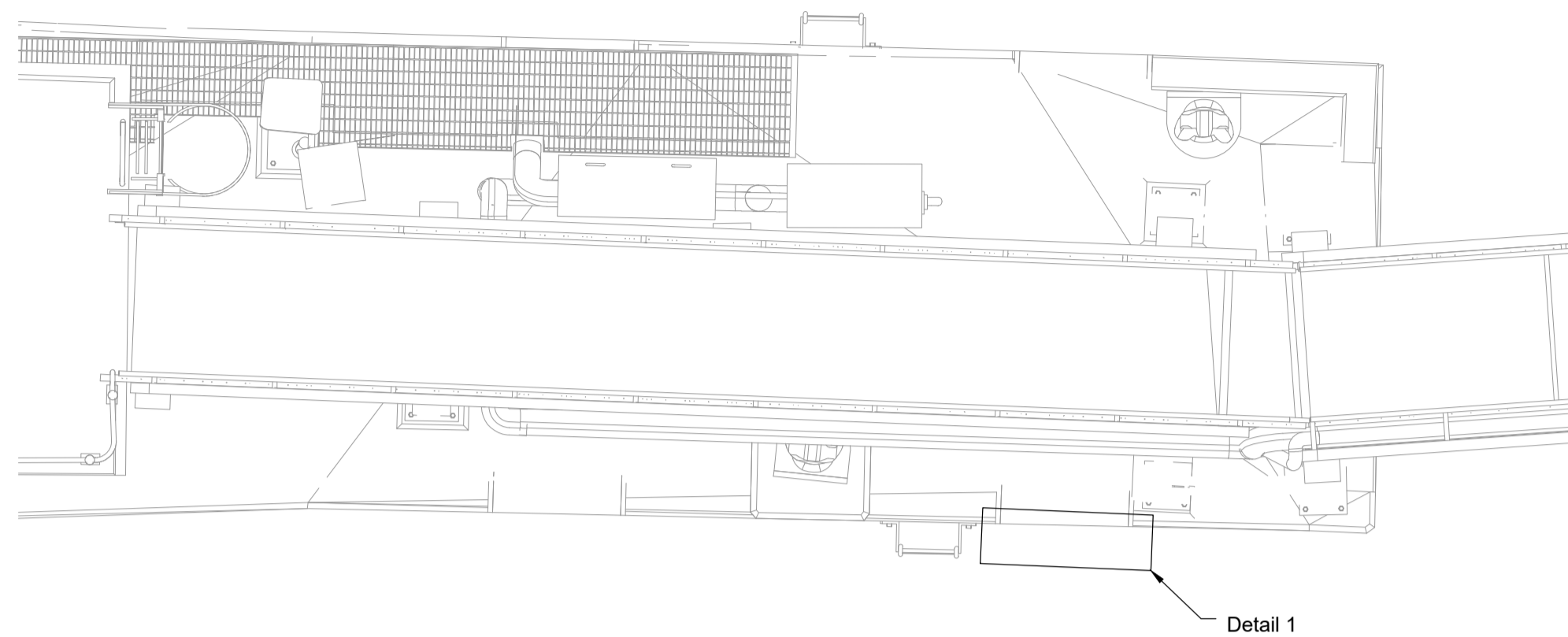


Plan
1 : 250

Fender Schedule		
Number	Type	Drawing Reference
KE-1_01	KE-1	105612-MMD-KE-ZZ-DR-C-3120&3121
KE-1_02	KE-1	105612-MMD-KE-ZZ-DR-C-3120&3121
KE-1_03	KE-1	105612-MMD-KE-ZZ-DR-C-3120&3121
KE-1_04	KE-1	105612-MMD-KE-ZZ-DR-C-3120&3121
KE-2_01	KE-2	105612-MMD-KE-ZZ-DR-C-3130
KE-2_02	KE-2	105612-MMD-KE-ZZ-DR-C-3130
KE-2_03	KE-2	105612-MMD-KE-ZZ-DR-C-3130
KE-2_04	KE-2	105612-MMD-KE-ZZ-DR-C-3130
KE-3_01	KE-3	105612-MMD-KE-ZZ-DR-C-3140
KE-3_02	KE-3	105612-MMD-KE-ZZ-DR-C-3140
KE-3_03	KE-3	105612-MMD-KE-ZZ-DR-C-3140
KE-3_04	KE-3	105612-MMD-KE-ZZ-DR-C-3140
KE-4A_01	KE-4A	105612-MMD-KE-ZZ-DR-C-3150
KE-4A_02	KE-4A	105612-MMD-KE-ZZ-DR-C-3150
KE-4A_03	KE-4A	105612-MMD-KE-ZZ-DR-C-3150
KE-4A_04	KE-4A	105612-MMD-KE-ZZ-DR-C-3150
KE-4A_05	KE-4A	105612-MMD-KE-ZZ-DR-C-3150
KE-4A_06	KE-4A	105612-MMD-KE-ZZ-DR-C-3150
KE-4A_07	KE-4A	105612-MMD-KE-ZZ-DR-C-3150
KE-4A_08	KE-4A	105612-MMD-KE-ZZ-DR-C-3150
KE-4B_01	KE-4B	105612-MMD-KE-ZZ-DR-C-3150
KE-4B_02	KE-4B	105612-MMD-KE-ZZ-DR-C-3150
KE-4B_03	KE-4B	105612-MMD-KE-ZZ-DR-C-3150
KE-4B_04	KE-4B	105612-MMD-KE-ZZ-DR-C-3150

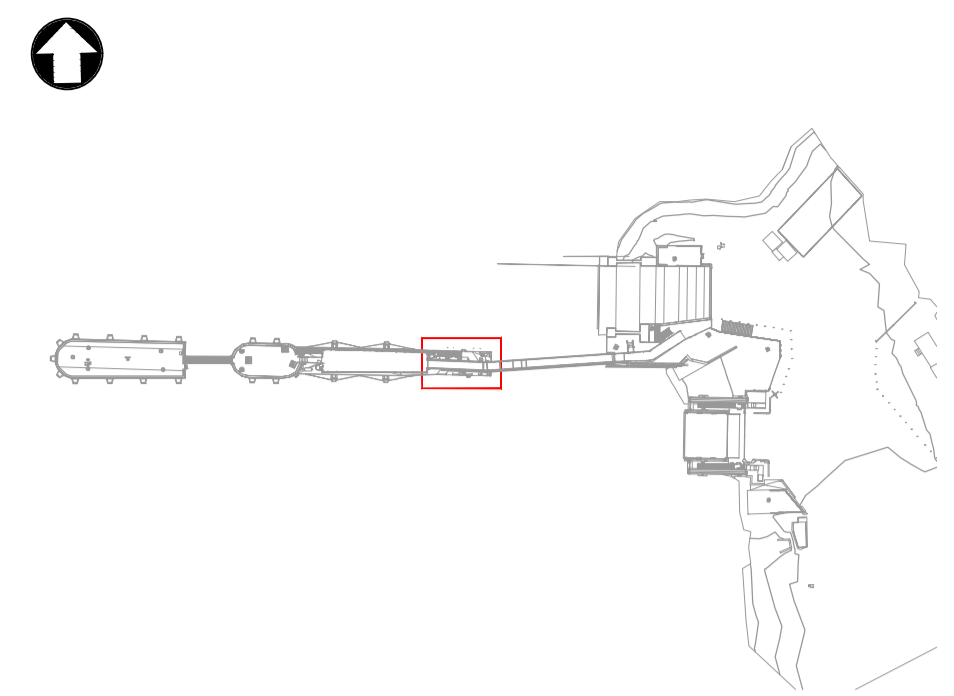
This document is issued for the party which commissioned it and for specific purposes connected with the captioned project only. It should not be relied upon by any other party or used for any other purpose. We accept no responsibility for the consequences of this document being relied upon by any other party, or being used for any other purpose, or containing any error or omission in data supplied to us by other parties.



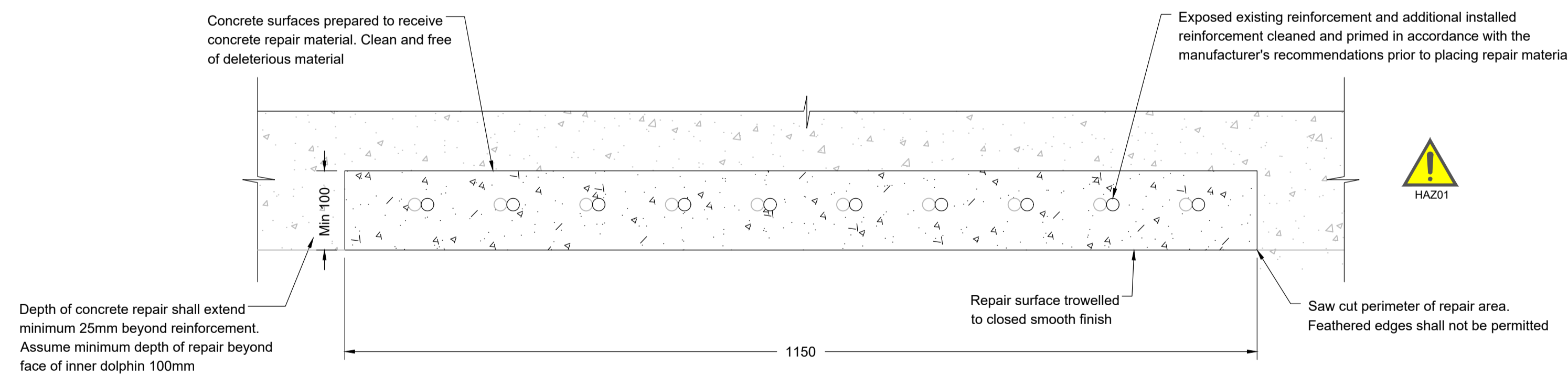


Plan
Scale - 1:50

Suggested Demolition and Repair Sequence
1. Remove fenders from concrete outstands.
2. Break out concrete outstands to dimensions shown using hydrodemolition. Existing reinforcement in the outstands is to be left in situ for inspection by the Supervisor. Existing reinforcement diameter to be determined.
3. Install / lap new reinforcement bars to match existing. Anchor new reinforcement in to existing concrete using suitable method and equipment.
4. Reinstate concrete to dimensions shown and repair concrete face.
5. Install resin anchors for fenders.
6. Install fenders.

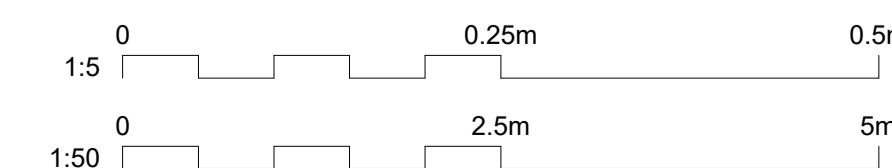


Key Plan
Scale 1:1250



Detail 1
Typical Repair Detail
Scale - 1:5

SAFETY, HEALTH AND ENVIRONMENTAL INFORMATION	
	Hazard Elimination & Risk Reduction has been undertaken and recorded where appropriate, in accordance with the requirements of "The Construction (Design and Management) Regulations 2015" and the associated "Industry Guidance for Designers" In addition to the hazards/risks normally associated with the types of work detailed on this drawing, please note the following:
CONSTRUCTION:	01 - N/A
OPERATIONS:	02 - N/A
MAINTENANCE:	03 - N/A
DEMOLITION:	HAZ 01- Comply with Regulations for Hydrodemolition
FUTURE ANTICIPATED WORK:	05 - N/A



- Notes
- All chainages are in metres.
 - All dimensions in millimetres unless noted otherwise.
 - All levels in metres relative to Chart Datum (mCD) unless noted otherwise.
 - DO NOT SCALE. Follow written dimensions only.
 - The Client accepts no liability for the accuracy of the topographical & bathymetrical information provided
 - The Contractor shall verify all dimensions, elevations, coordinates, and site conditions prior to execution.
 - Dimensions followed by an asterisks are to be confirmed by the contractor on site.
 - Notes followed by + denote items that are to be in accordance with manufacturers recommendations.
 - For general notes refer to drawing 105612-MMD-(**)-ZZ-0011, where (**) denotes field 3 volume or system for the applicable project site CO, KE & PA.

Key to symbols

	Concrete
--	----------

Reference drawings

Rev	Date	Drawn	Description	Ch'k'd	App'd
C01	17.03.23	CC	Tender Issue	FH	CO

Status Stamp
TENDER

MOTT MACDONALD

St Vincent Plaza
319 St Vincent Street
Glasgow, G2 5LD
United Kingdom

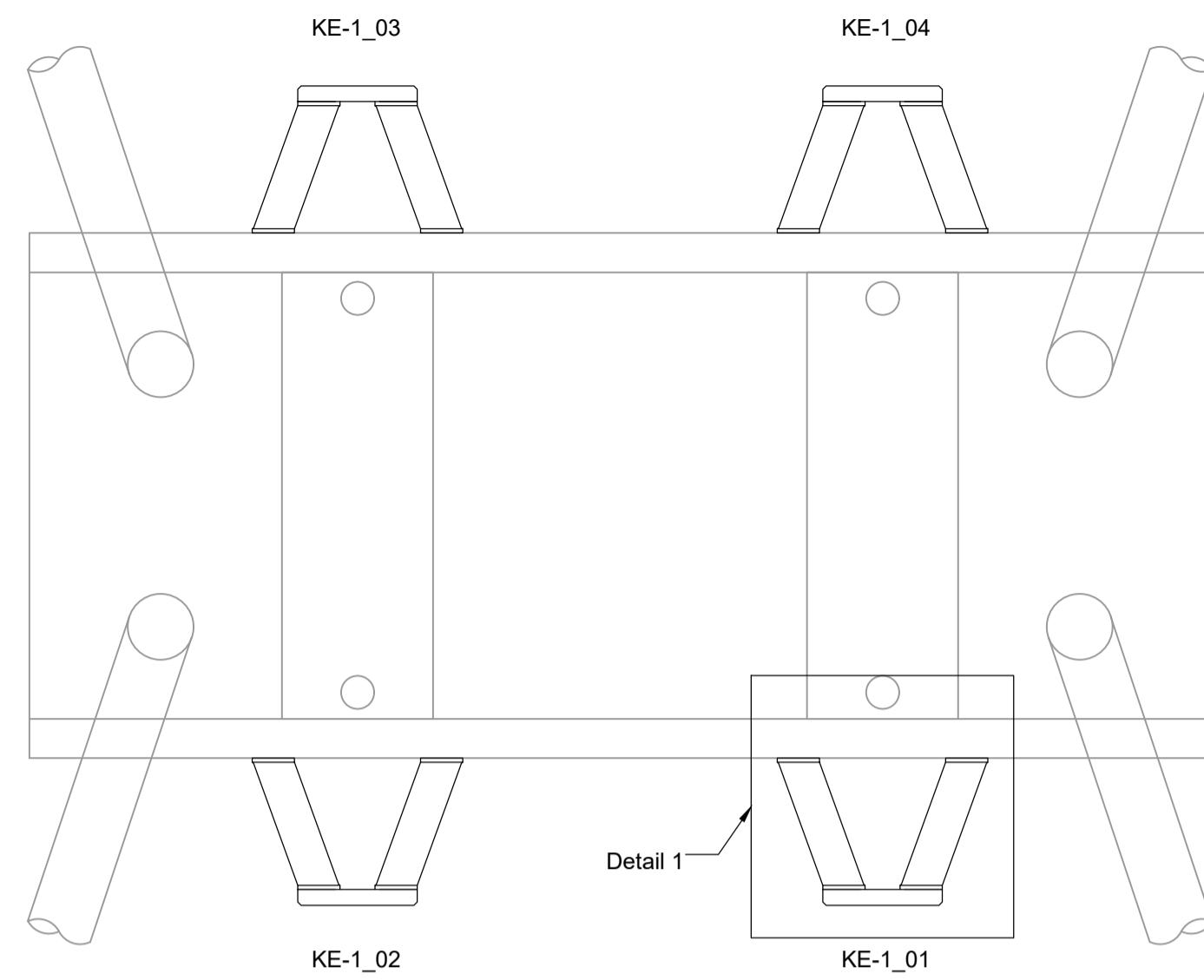
T +44 (0)141 222 4500
F +44 (0)141 221 2048
W mottmac.com

Client
Caledonian Maritime Assets Limited
Municipal Buildings
Fore Street
Port Glasgow
PA14 5EQ

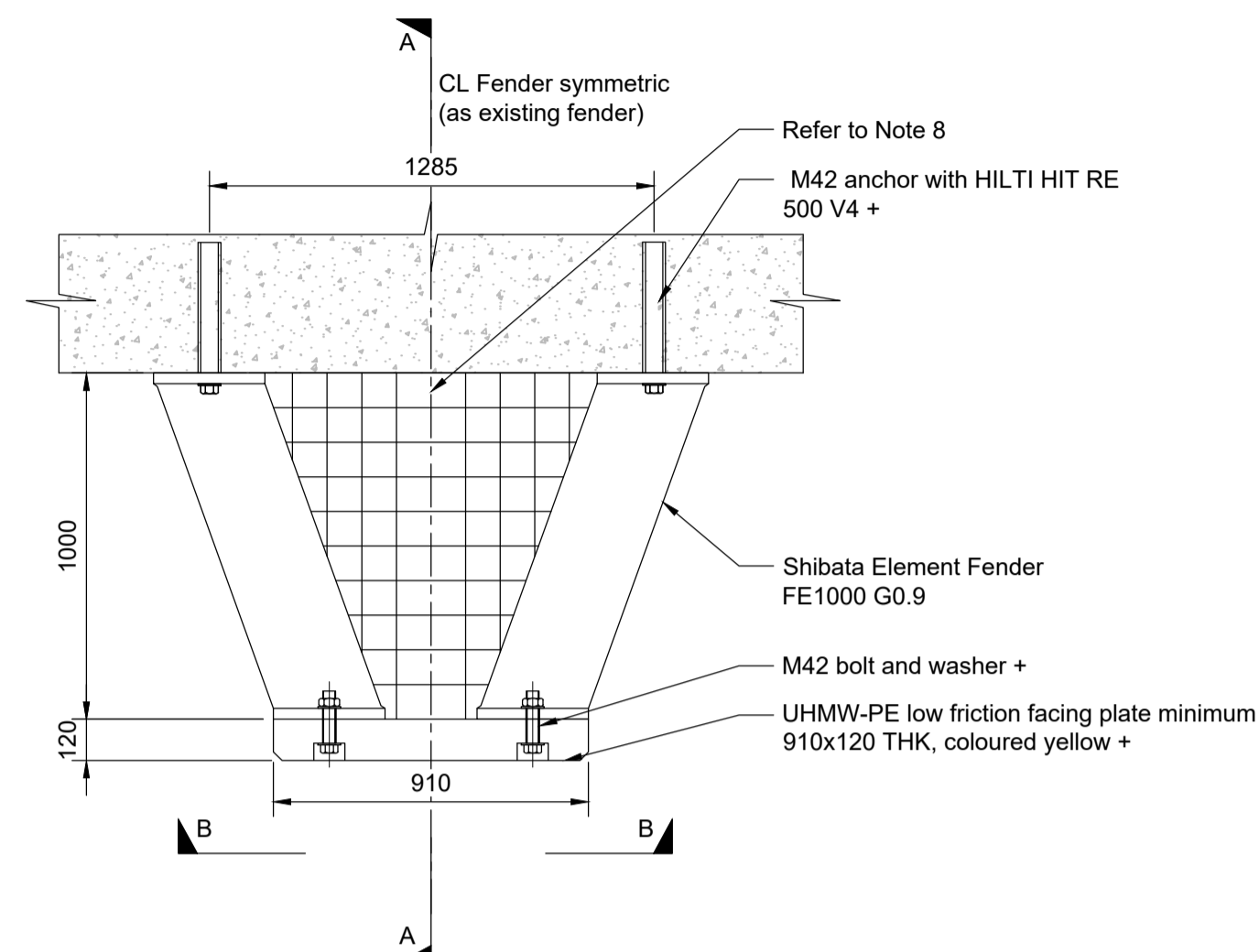


Title
New Islay Vessel Port Enabling Works
Kennacraig
Inner Dolphin Repair Details

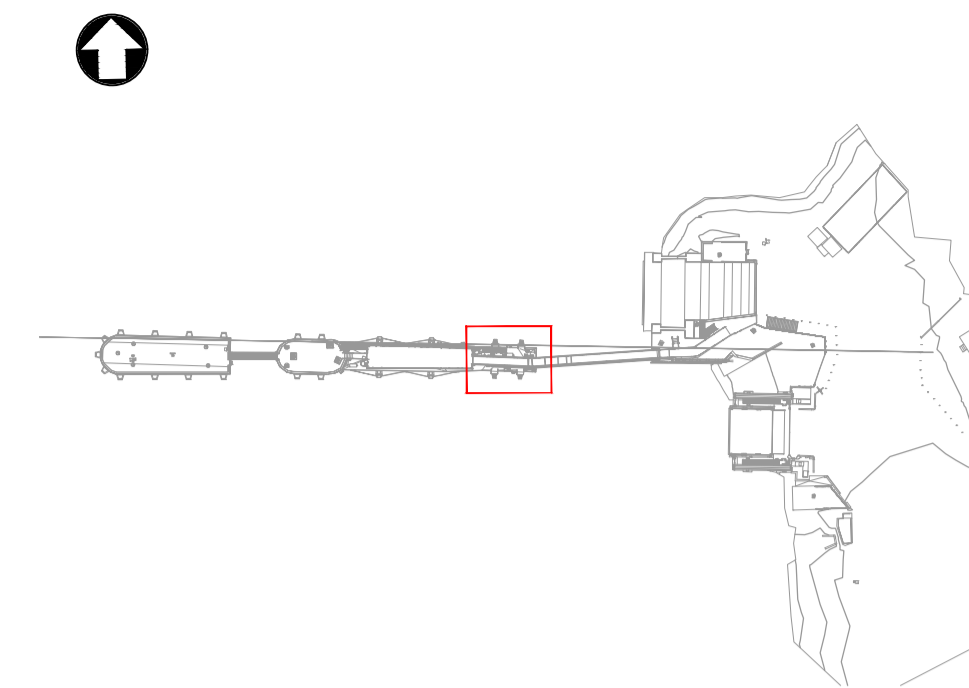
Designed	C. Flower	CF	Eng check	C. Ohl	CO
Drawn	R. Gatheral	RG	Coordination	G. Mathers	GM
Dwg check	F. Hogg	FH	Approved	C. Ohl	CO
MMD Project Number	105612	Scale at A1	As Indicated	Security	STD
Suitability Description	Authorised and Accepted				Suit. Code A1
Drawing Number	105612-MMD-KE-ZZ-DR-C-3120				Rev C01



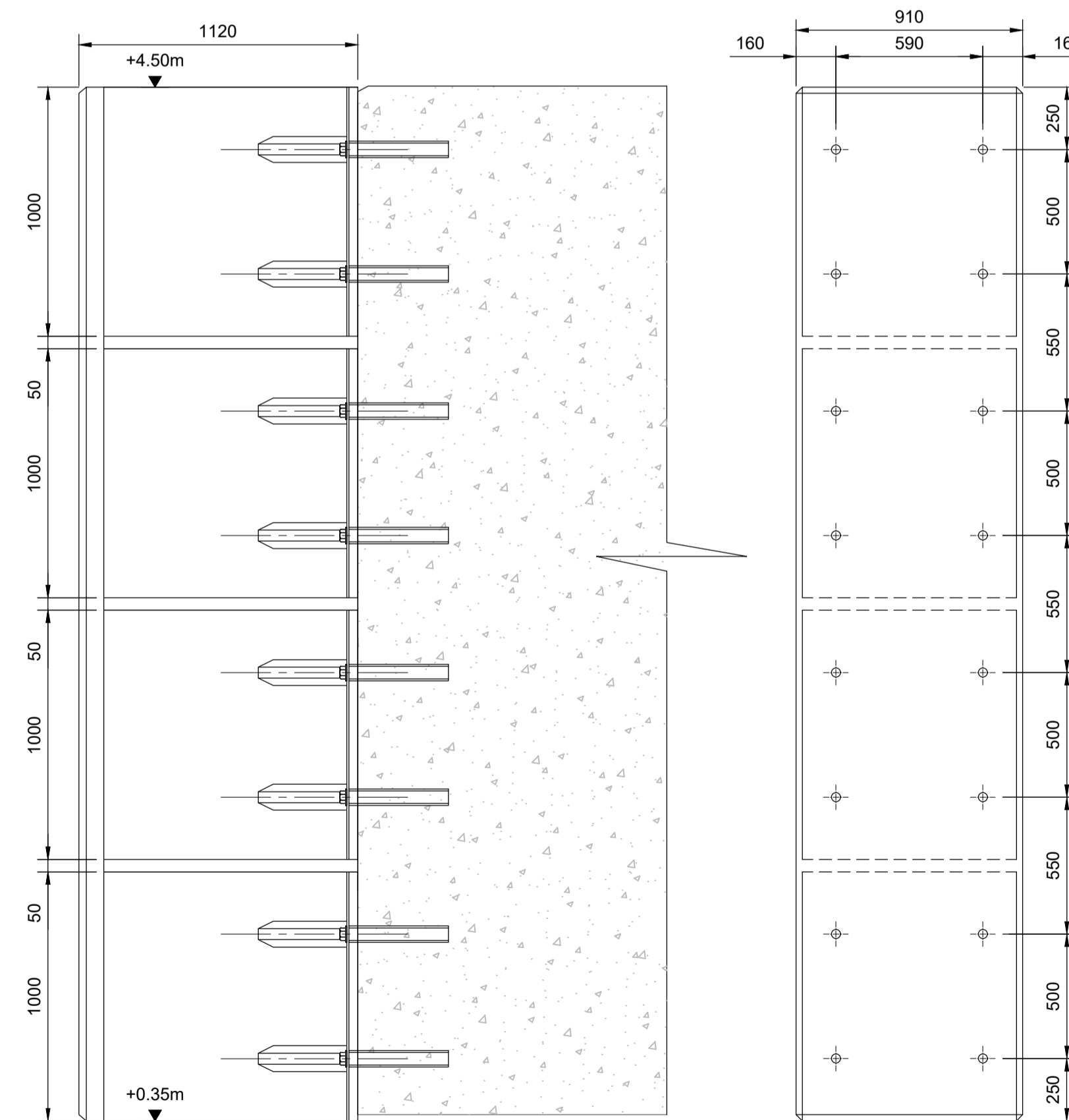
Plan
Scale - 1:50



Detail 1
Scale - 1:20

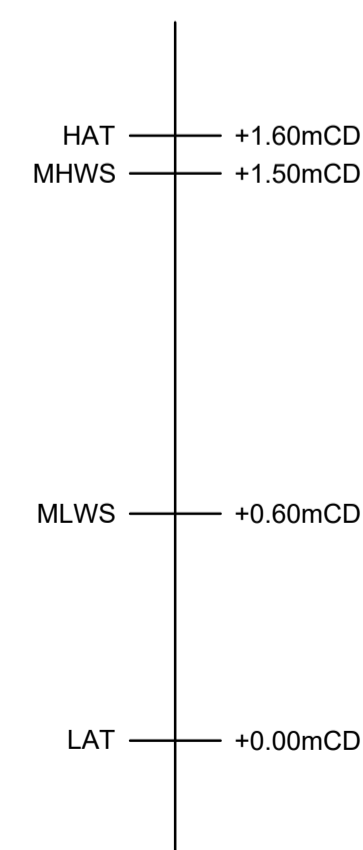


Key Plan
Scale 1:1250



Section A-A
Scale - 1:20

Elevation B-B
Scale - 1:20



- Notes
- All chainages are in metres.
 - All dimensions in millimetres unless noted otherwise.
 - All levels in metres relative to Chart Datum (mCD) unless noted otherwise.
 - DO NOT SCALE. Follow written dimensions only.
 - The Client accepts no liability for the accuracy of the topographical & bathymetrical information provided
 - The Contractor shall verify all dimensions, elevations, coordinates, and site conditions prior to execution.
 - For general notes refer to drawing 105612-MMD-(**)-ZZ-0011, where (**) denotes field 3 volume or system for the applicable project site CO, KE & PA.
 - Bird netting shall be as per existing on fenders, designed, supplied and installed by Eco Environmental Services Ltd. www.ecoild.net. Refer to drawing 105612-MMD-00-ZZ-DR-C-3100.
 - New fenders to be supplied complete with all fixings (bolts, washers etc.) unless noted otherwise.
 - Dimensions followed by an asterisks are to be confirmed by the contractor on site.
 - Notes followed by + denote items that are to be in accordance with fender manufacturers recommendations.
 - All steelwork to be S355 J2 unless noted otherwise.
 - Notes followed by * denote dimensions that the Contractor shall verify.
 - All steelwork to be painted in accordance with the specification.

Key to symbols



Reference drawings

Rev	Date	Drawn	Description	Ch'k'd	App'd
C01	17.03.23	CC	Tender Issue	FH	CO

Status Stamp

TENDER



St Vincent Plaza
319 St Vincent Street
Glasgow, G2 5LD
United Kingdom

T +44 (0)141 222 4500
F +44 (0)141 221 2048
W mottmac.com

Client

Caledonian Maritime Assets Limited
Municipal Buildings
Fore Street
Port Glasgow
PA14 5EQ

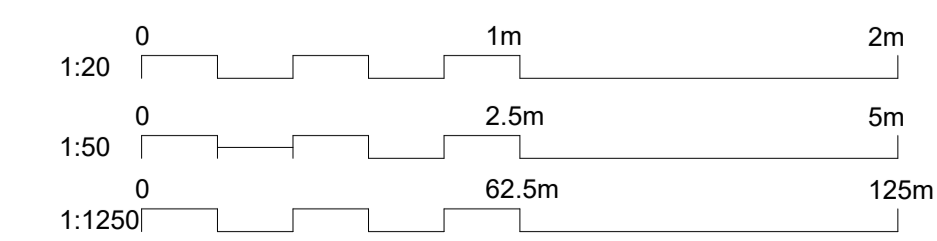


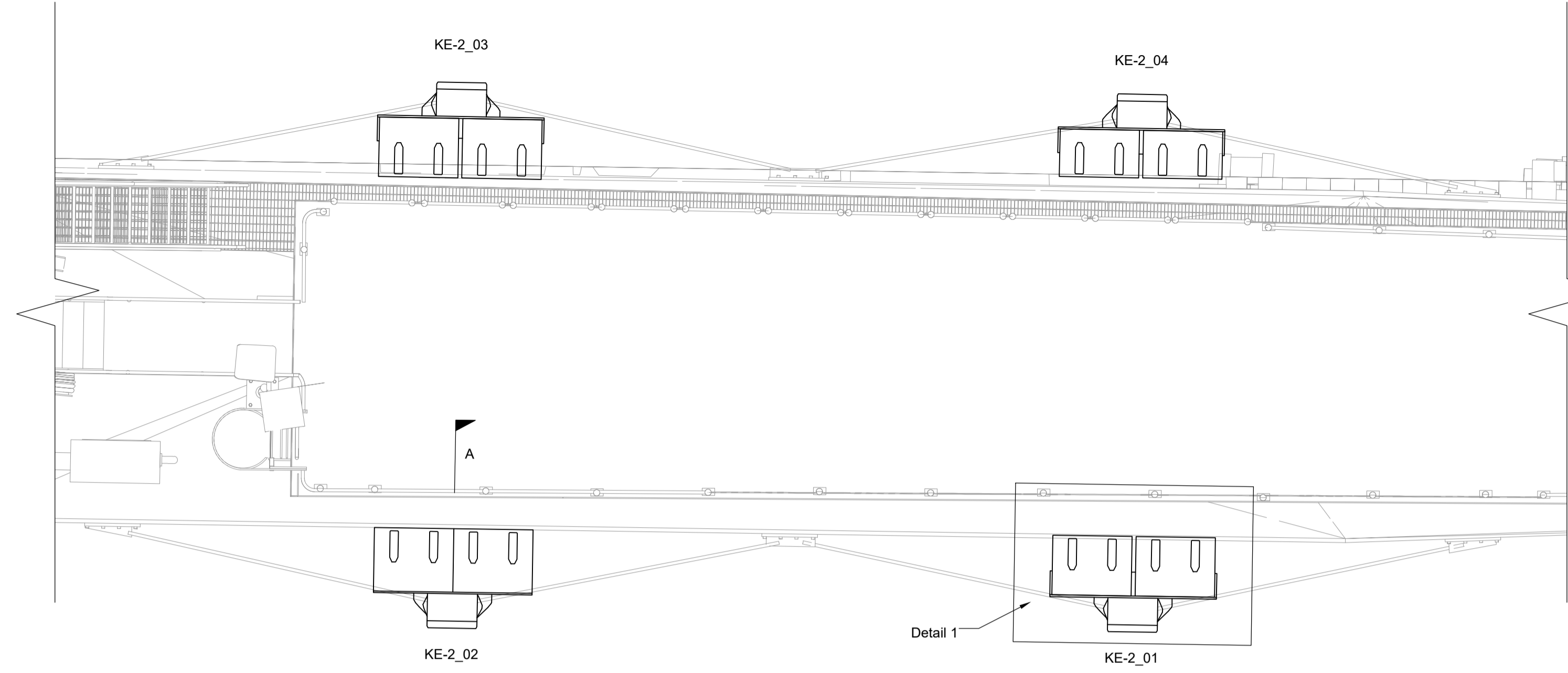
Title

New Islay Vessel Port Enabling Works
Kennacraig
Inner Dolphin Fenders

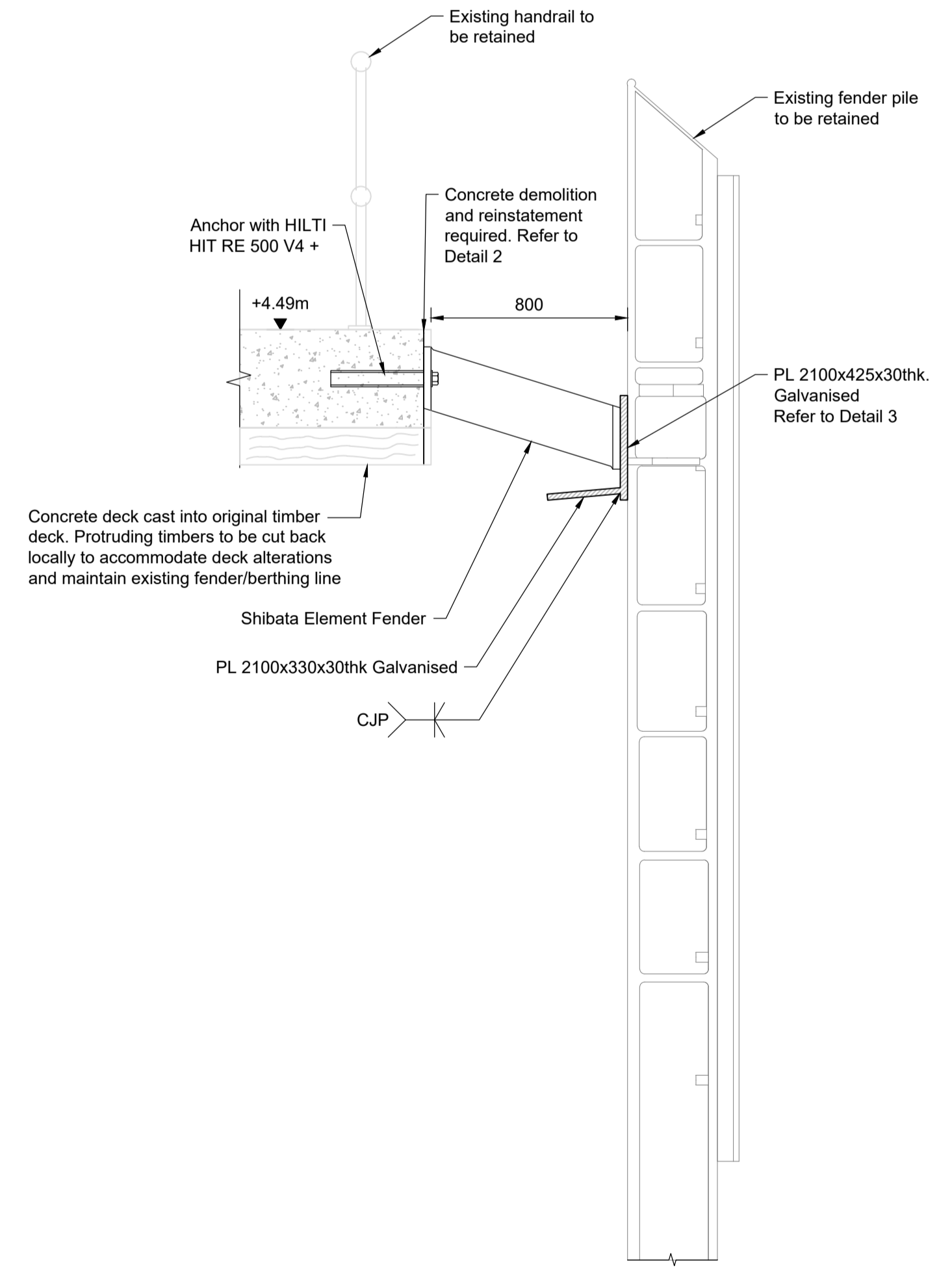
Designed	C. Flower	CF	Eng check	F. Hogg	FH
Drawn	R. Gatheral	RG	Coordination	G. Mather	GM
Dwg check	C. Campbell	CC	Approved	C. Ohl	CO

MMD Project Number	105612	Scale at A1	As Indicated	Security	STD
Suitability Description	Authorised and Accepted			Suit. Code	A1
Drawing Number	105612-MMD-KE-ZZ-DR-C-3121			Rev	C01

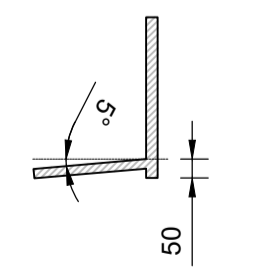




Plan
Scale - 1:50

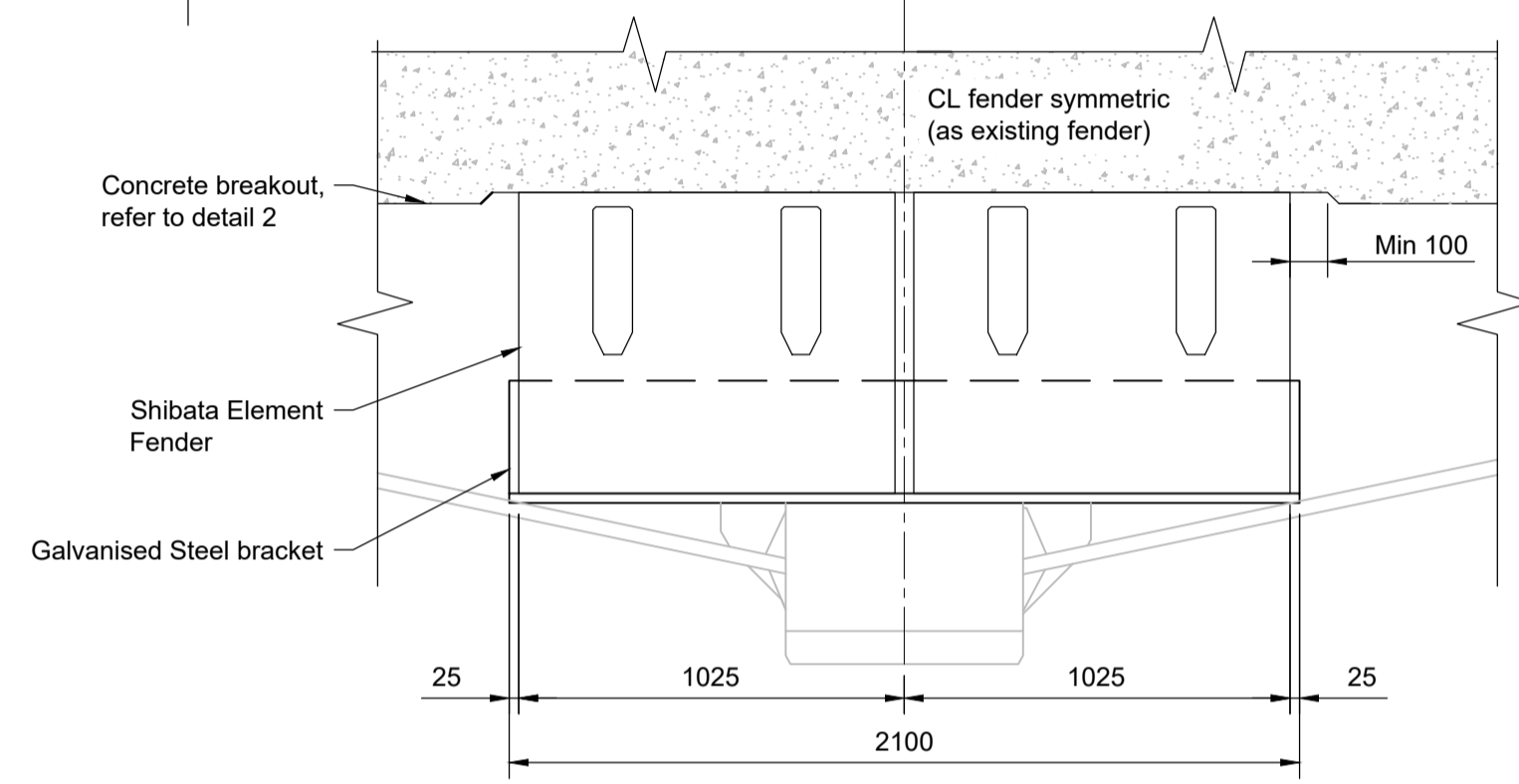


Section A-A
Scale - 1:20

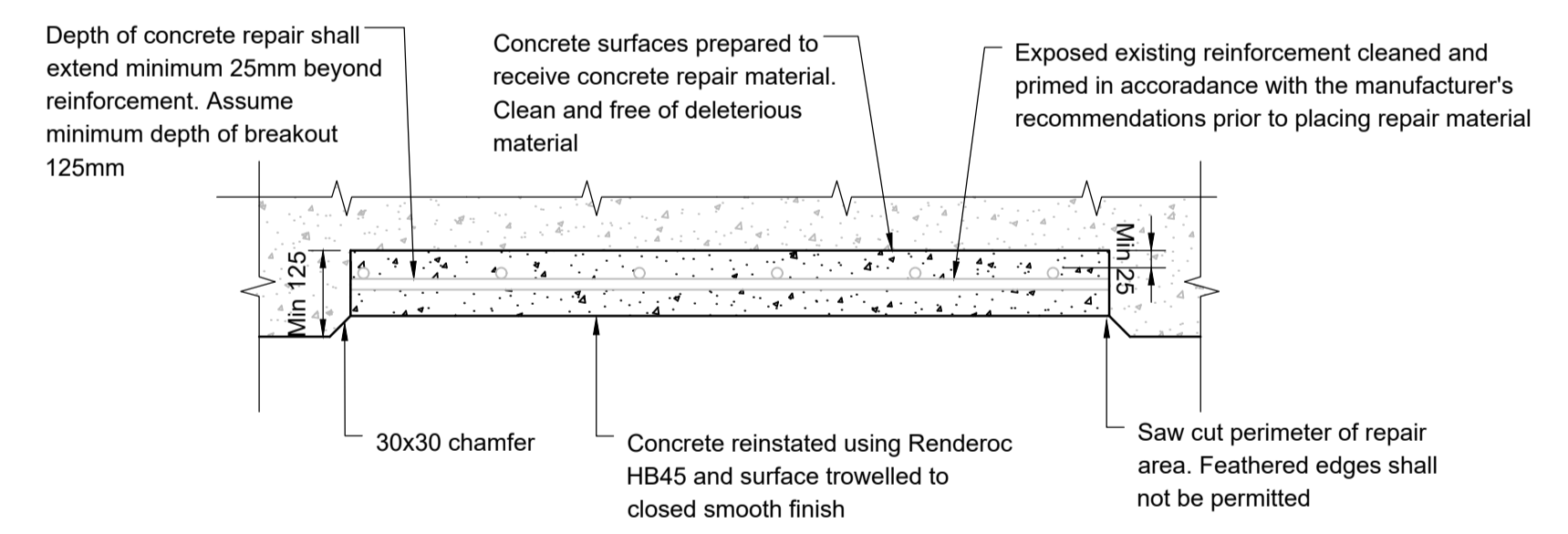


Section A-A
Scale 1:20

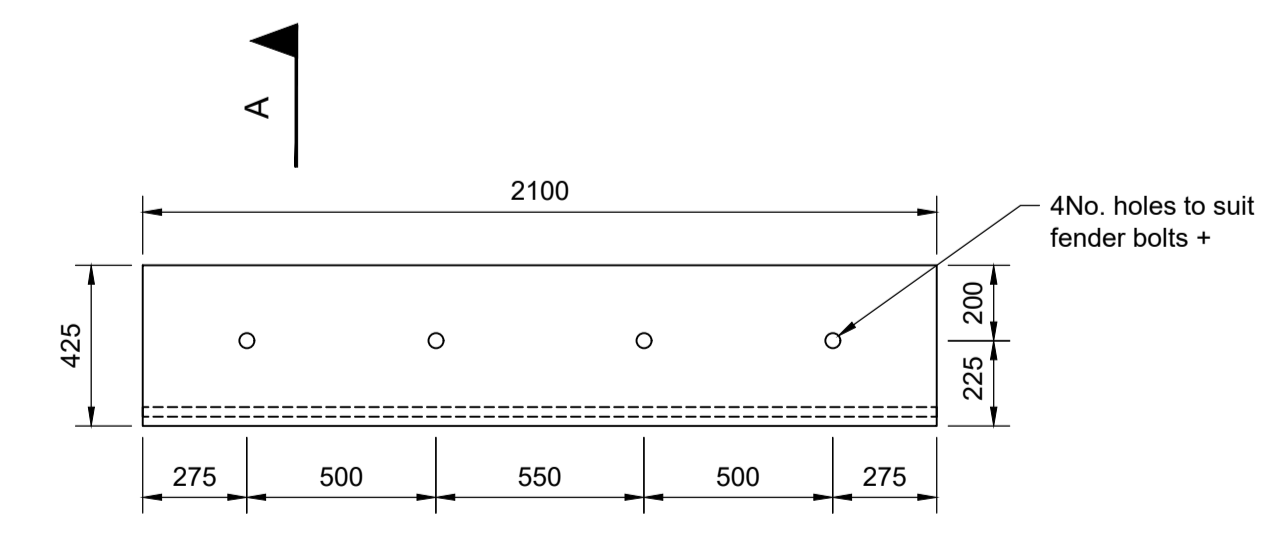
FENDER SCHEDULE	
Number	Type
KE-2_01	Shibata Element Fender FE750 G2.2
KE-2_02	Shibata Element Fender FE800 G1.8
KE-2_03	Shibata Element Fender FE750 G2.2
KE-2_04	Shibata Element Fender FE600 G3.1



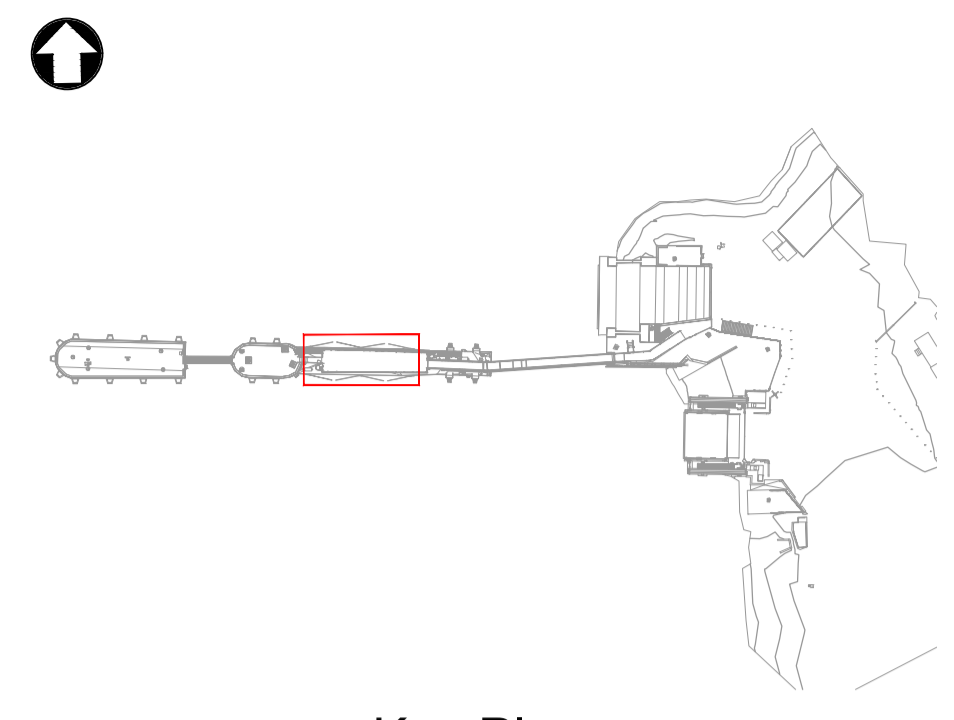
Detail 1
Scale 1:20



Detail 2
Scale 1:10



Detail 3
Scale 1:20



Key Plan
Scale 1:1250

- Notes
- All chainages are in metres.
 - All dimensions in millimetres unless noted otherwise.
 - All levels in metres relative to Chart Datum (mCD) unless noted otherwise.
 - DO NOT SCALE. Follow written dimensions only.
 - The Client accepts no liability for the accuracy of the topographical & bathymetrical information provided.
 - The Contractor shall verify all dimensions, elevations, coordinates, and site conditions prior to execution.
 - For general notes refer to drawing 105612-MMD-(**)-ZZ-0011, where (**) denotes field 3 volume or system for the applicable project site CO, KE & PA.
 - Bird netting shall be as per existing on fenders, designed, supplied and installed by Eco Environmental Services Ltd. www.ecoltd.net. Refer to drawing 105612-MMD-00-ZZ-DR-C-3100.
 - New fenders to be supplied complete with all fixings (bolts, washers etc.) unless noted otherwise.
 - Dimensions followed by an asterisks are to be confirmed by the contractor on site.
 - Notes followed by + denote items that are to be in accordance with fender manufacturers recommendations.
 - All steelwork to be S355 J2 unless noted otherwise.
 - Notes followed by * denote dimensions that the Contractor shall verify.
 - All steelwork to be painted in accordance with the specification.

Key to symbols

	Concrete
--	----------

Reference drawings

CO1	17.03.23	CC	Tender Issue	FH	CO
Rev	Date	Drawn	Description	Ch'k'd	App'd

Status Stamp

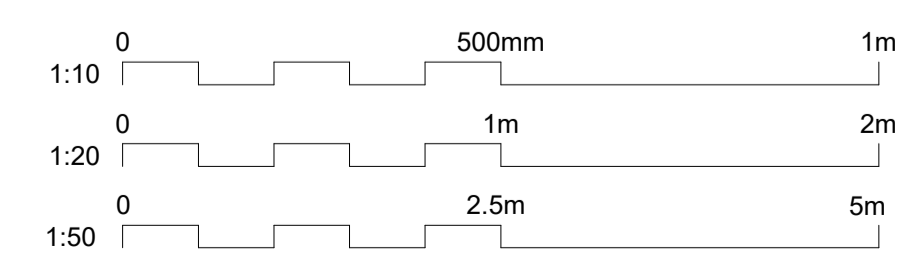
TENDER

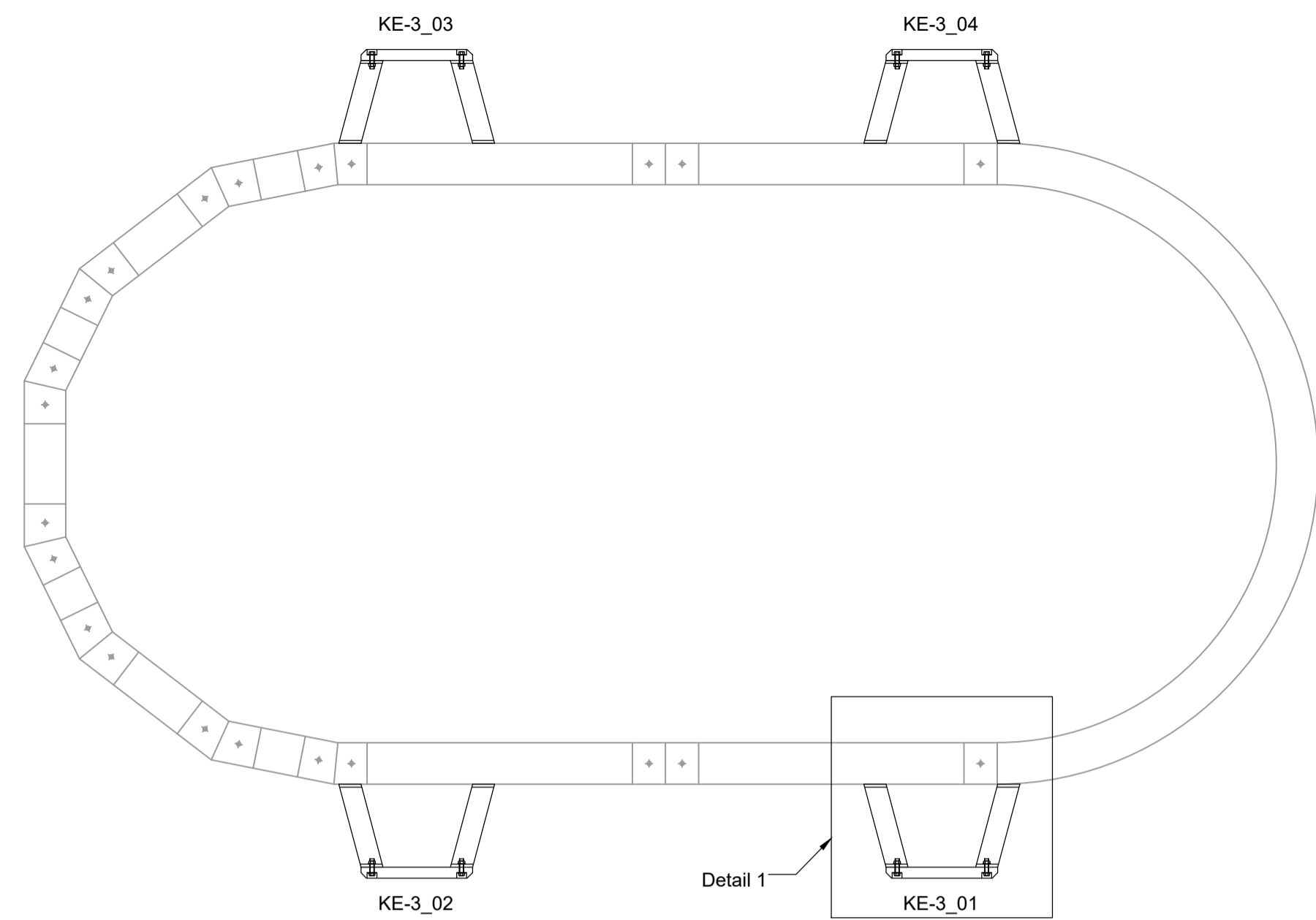
M MOTT MACDONALD	M	St Vincent Plaza 319 St Vincent Street Glasgow, G2 5LD United Kingdom
		T +44 (0)141 222 4500 F +44 (0)141 221 2048 W mottmac.com

Client
Caledonian Maritime Assets Limited
Municipal Buildings
Fore Street
Port Glasgow
PA14 5EQ

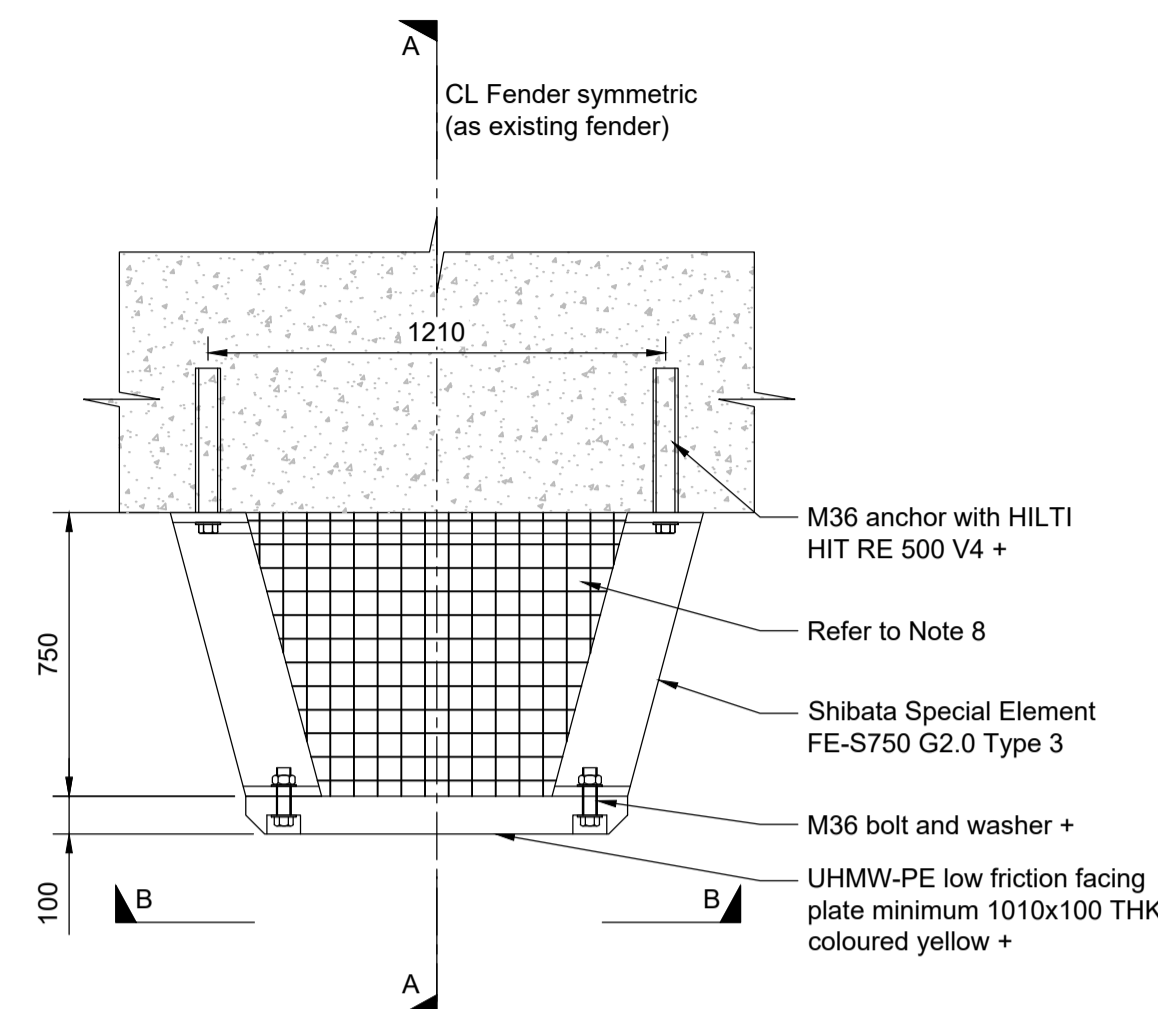
Title
New Islay Vessel Port Enabling Works
Kennacraig
Infill Pier Fenders

Designed	C. Flower	CF	Eng check	F. Hogg	FH
Drawn	C. Campbell	CC	Coordination	G. Mathers	GM
Dwg check	G. Mathers	GM	Approved	C. Ohl	CO
MMD Project Number	105612	Scale at A1	As Indicated	Security	STD
Suitability Description	Authorised and Accepted			Suit. Code	A1
Drawing Number	105612-MMD-KE-ZZ-DR-C-3130			Rev	C01

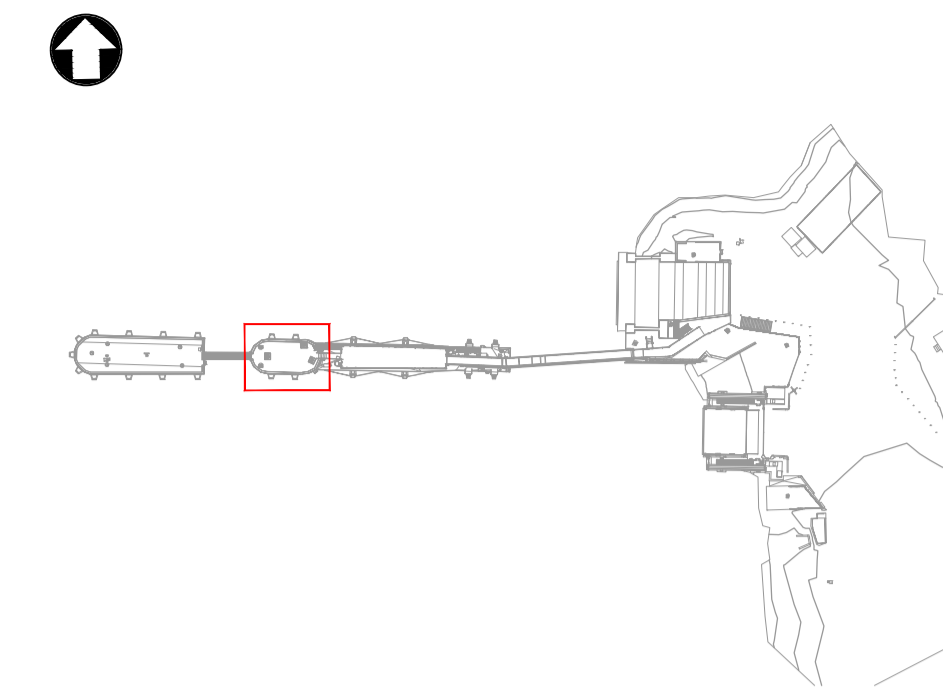




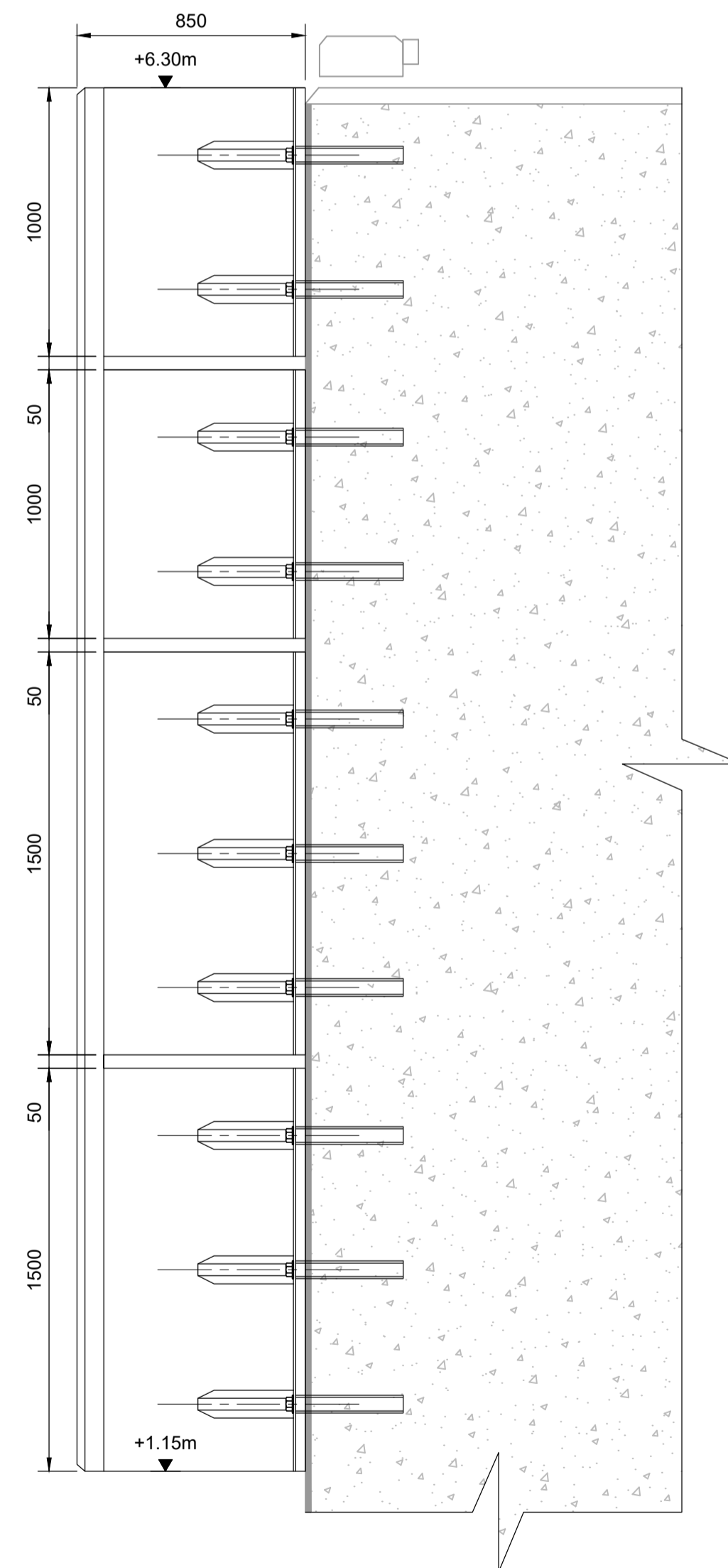
Plan
Scale - 1:50



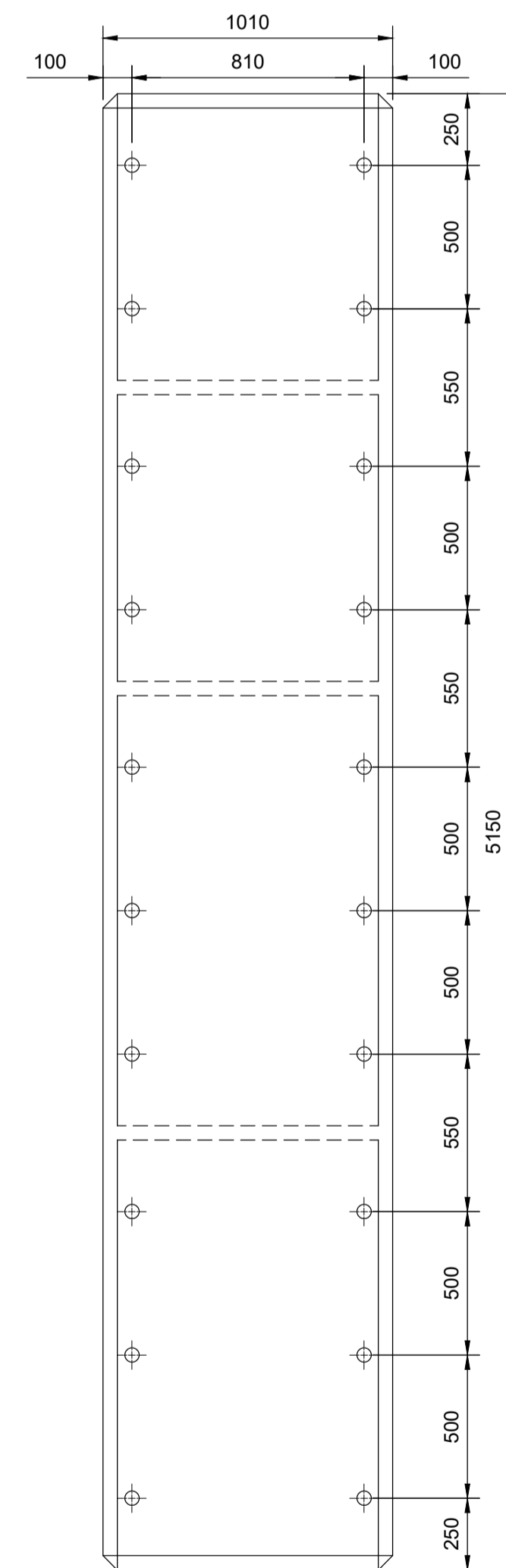
Detail 1
Scale - 1:20



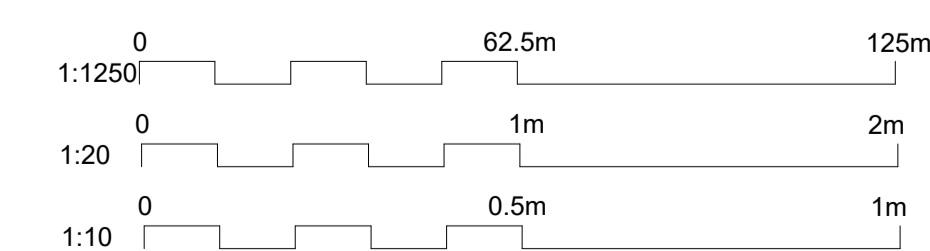
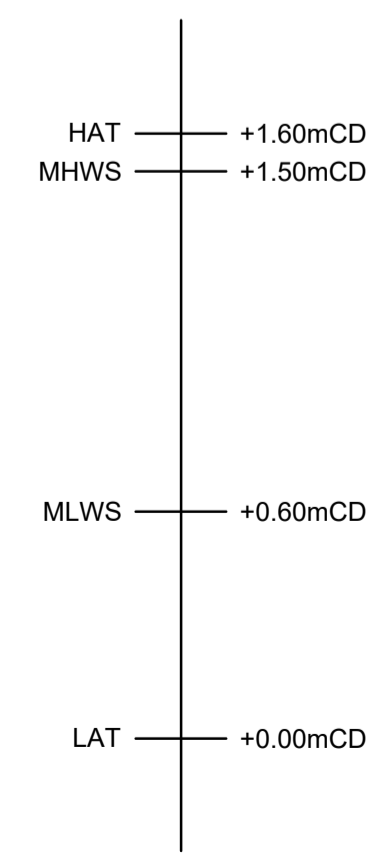
Key Plan
Scale 1:1250



Section A-A
Scale - 1:20



Elevation B-B
Scale - 1:20



- Notes
- All chainages are in metres.
 - All dimensions in millimetres unless noted otherwise.
 - All levels in metres relative to Chart Datum (mCD) unless noted otherwise.
 - DO NOT SCALE. Follow written dimensions only.
 - The Client accepts no liability for the accuracy of the topographical & bathymetrical information provided
 - The Contractor shall verify all dimensions, elevations, coordinates, and site conditions prior to execution.
 - For general notes refer to drawing 105612-MMD-(**)-ZZ-0011, where (**) denotes field 3 volume or system for the applicable project site CO, KE & PA.
 - Bird netting shall be as per existing on fenders, designed, supplied and installed by Eco Environmental Services Ltd. www.ecold.net. Refer to drawing 105612-MMD-00-ZZ-DR-C-3100.
 - New fenders to be supplied complete with all fixings (bolts, washers etc.) unless noted otherwise.
 - Dimensions followed by an asterisks are to be confirmed by the contractor on site.
 - Notes followed by + denote items that are to be in accordance with fender manufacturers recommendations.
 - All steelwork to be S355 J2 unless noted otherwise.
 - Notes followed by * denote dimensions that the Contractor shall verify.
 - All steelwork to be painted in accordance with the specification.

Key to symbols

Reference drawings

Rev	Date	Drawn	Description	Ch'k'd	App'd
P04	27/01/2023	JB	Preliminary Information Tender Issue	FH	CO
P03	25/11/2022	RG	Work in Progress	CF	CO
P02	12/10/2022	RG	Work in Progress	CF	CO
P01	05/10/2022	RG	Work in Progress	CF	CO

Status Stamp
TENDER

MOTT MACDONALD

St Vincent Plaza
319 St Vincent Street
Glasgow, G2 5LD
United Kingdom

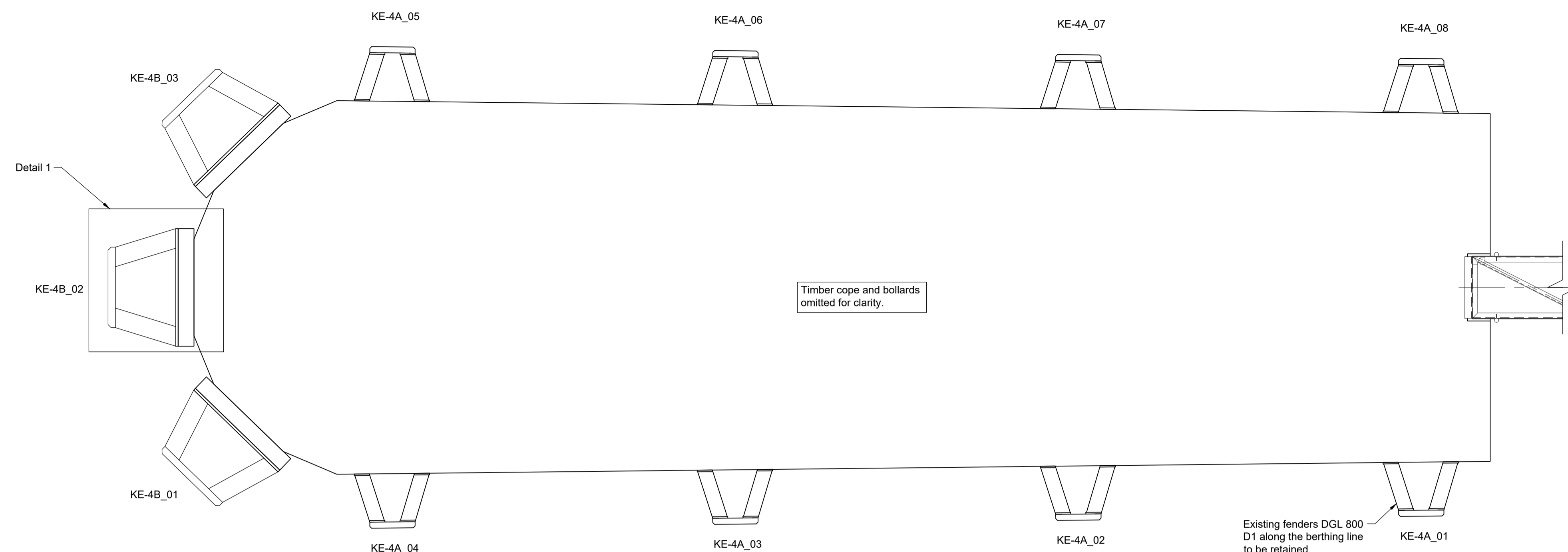
T +44 (0)141 222 4500
F +44 (0)141 221 2048
W mottmac.com

Client
Caledonian Maritime Assets Limited
Municipal Buildings
Fore Street
Port Glasgow
PA14 5EQ

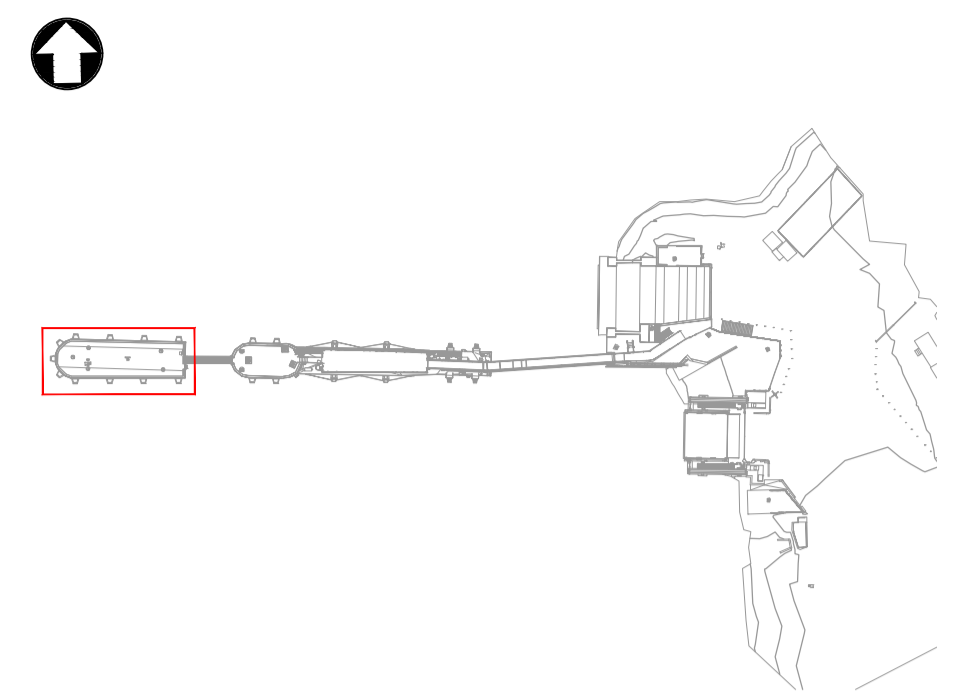


Title
New Islay Vessel Port Enabling Works
Kennacraig
Middle Dolphin Fenders

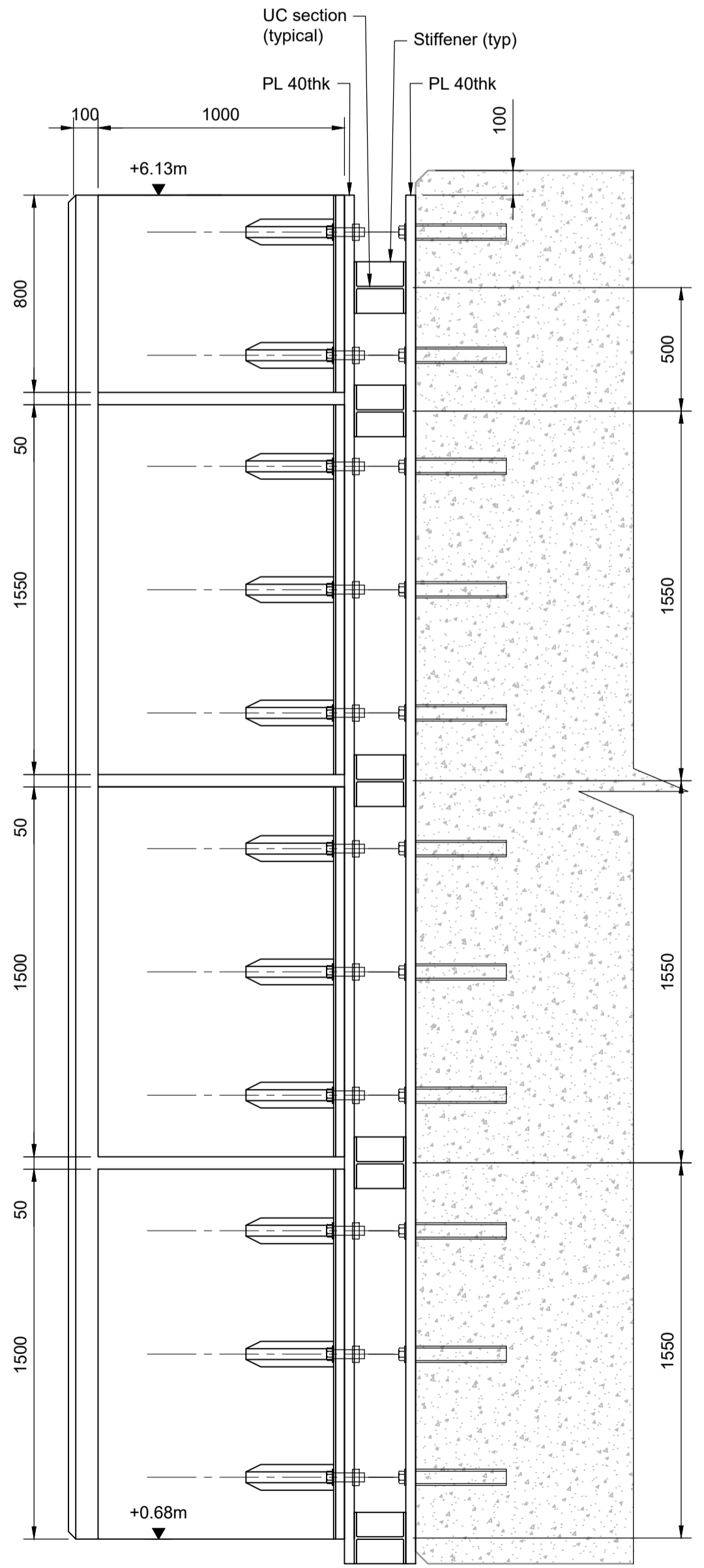
Designed	C. Flower	CF	Eng check	F. Hogg	FH
Drawn	R. Gatheral	RG	Coordination	G. Mather	GM
Dwg check	F. Hogg	FH	Approved	C. Ohl	CO
MMD Project Number	105612	Scale at A1	As Indicated	Security	STD
Suitability Description	Suitable for Review & Authorisation			Suit. Code	S4
Drawing Number	105612-MMD-KE-ZZ-DR-C-3140			Rev	P04



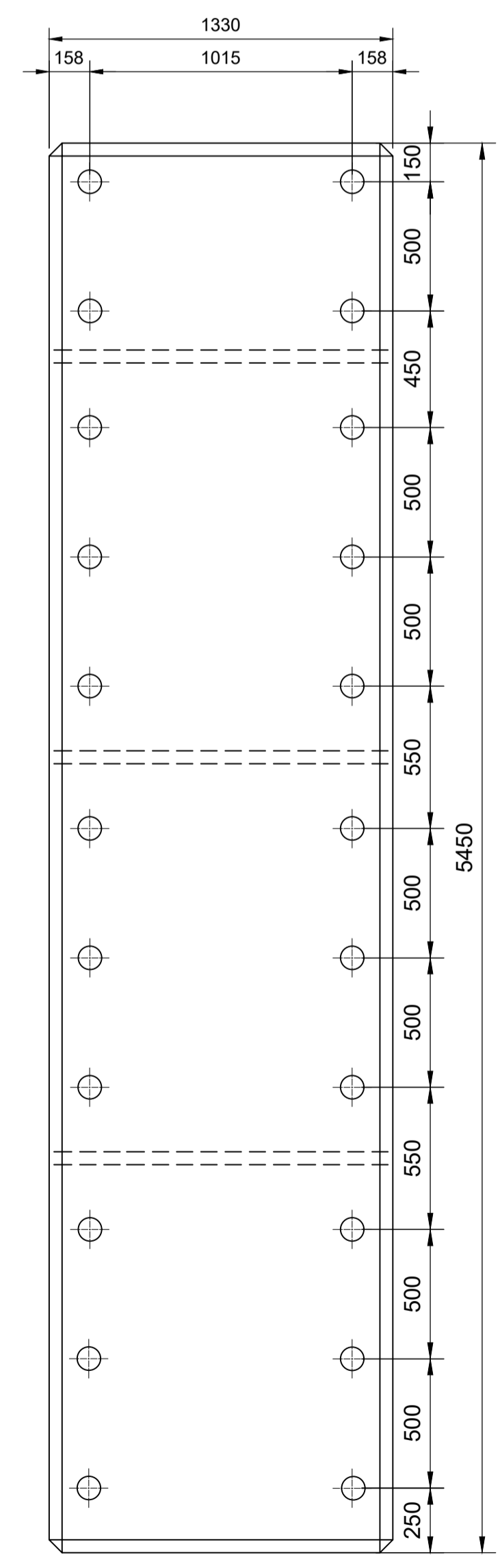
Plan
Scale 1:50



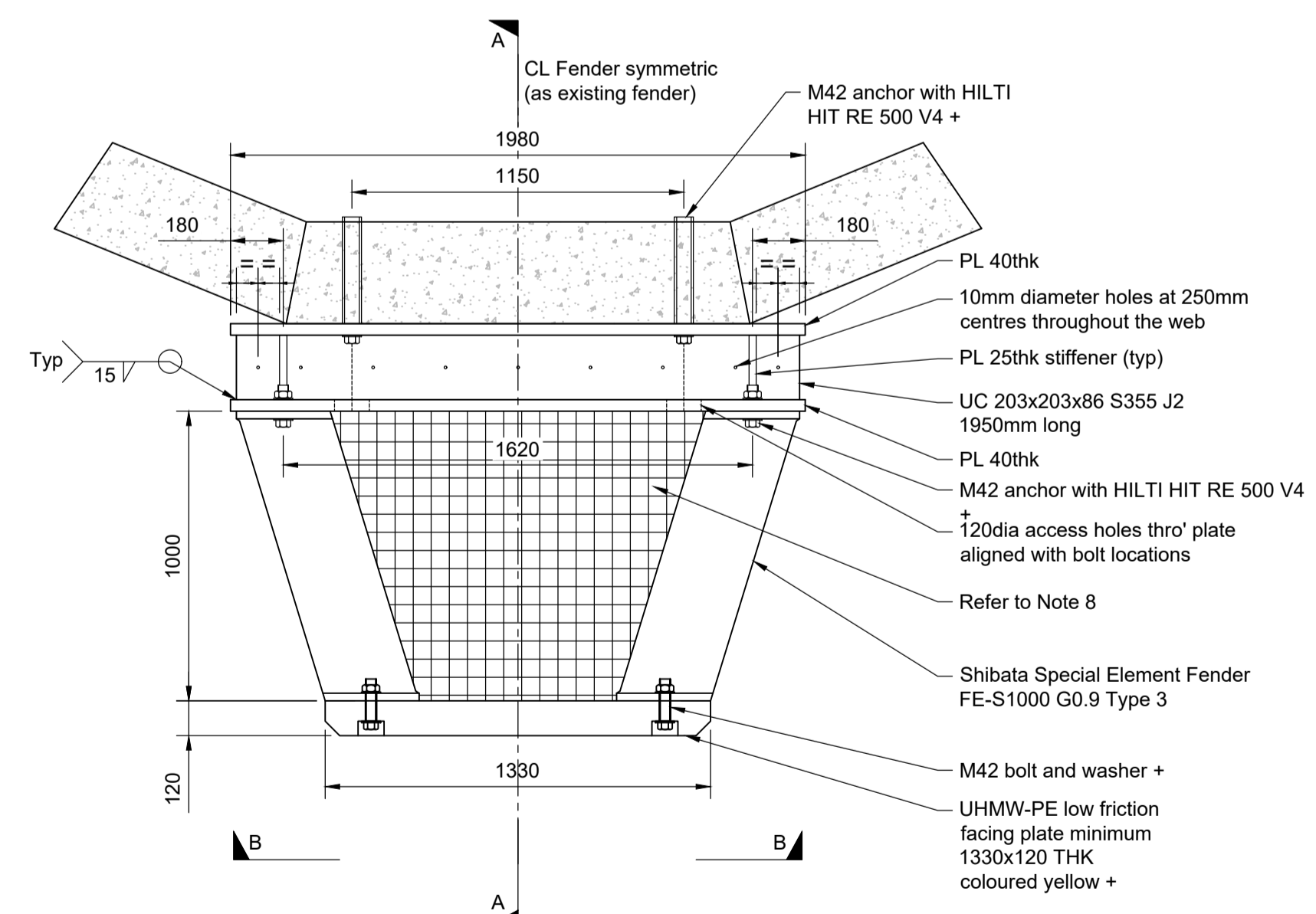
Key Plan
Scale 1:1250



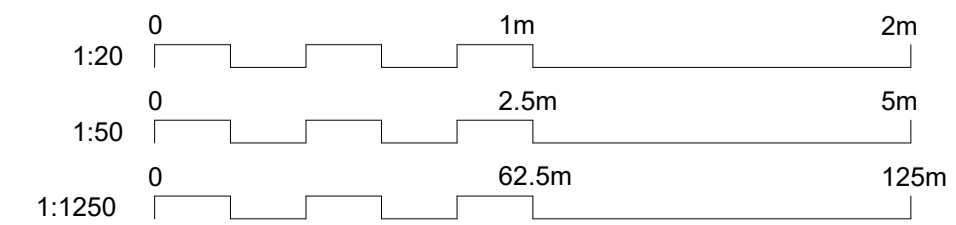
Section A-A
Scale - 1:20



Elevation B-B
Scale - 1:20



Detail 1
Scale - 1:20



- Notes
- All chainages are in metres.
 - All dimensions in millimetres unless noted otherwise.
 - All levels in metres relative to Chart Datum (mCD) unless noted otherwise.
 - DO NOT SCALE. Follow written dimensions only.
 - The Client accepts no liability for the accuracy of the topographical & bathymetrical information provided.
 - The Contractor shall verify all dimensions, elevations, coordinates, and site conditions prior to execution.
 - For general notes refer to drawing 105612-MMD-(**)-ZZ-0011, where (**) denotes field 3 volume or system for the applicable project site CO, KE & PA.
 - Bird netting shall be as per existing on fenders, designed, supplied and installed by Eco Environmental Services Ltd. www.ecold.net. Refer to drawing 105612-MMD-00-ZZ-DR-C-3100.
 - New fenders to be supplied complete with all fixings (bolts, washers etc.) unless noted otherwise.
 - Dimensions followed by an asterisks are to be confirmed by the contractor on site.
 - Notes followed by + denote items that are to be in accordance with fender manufacturers recommendations.
 - All steelwork to be S355 J2 unless noted otherwise.
 - Notes followed by * denote dimensions that the Contractor shall verify.
 - All steelwork to be painted in accordance with the specification.

Key to symbols

	Concrete
--	----------

Reference drawings

C01	17.03.23	CC	Tender Issue	FH	CO
Rev	Date	Drawn	Description	Ch'k'd	App'd

Status Stamp

TENDER

M
MOTT
MACDONALD

St Vincent Plaza
319 St Vincent Street
Glasgow, G2 5LD
United Kingdom

T +44 (0)141 222 4500
F +44 (0)141 221 2048
W mottmac.com

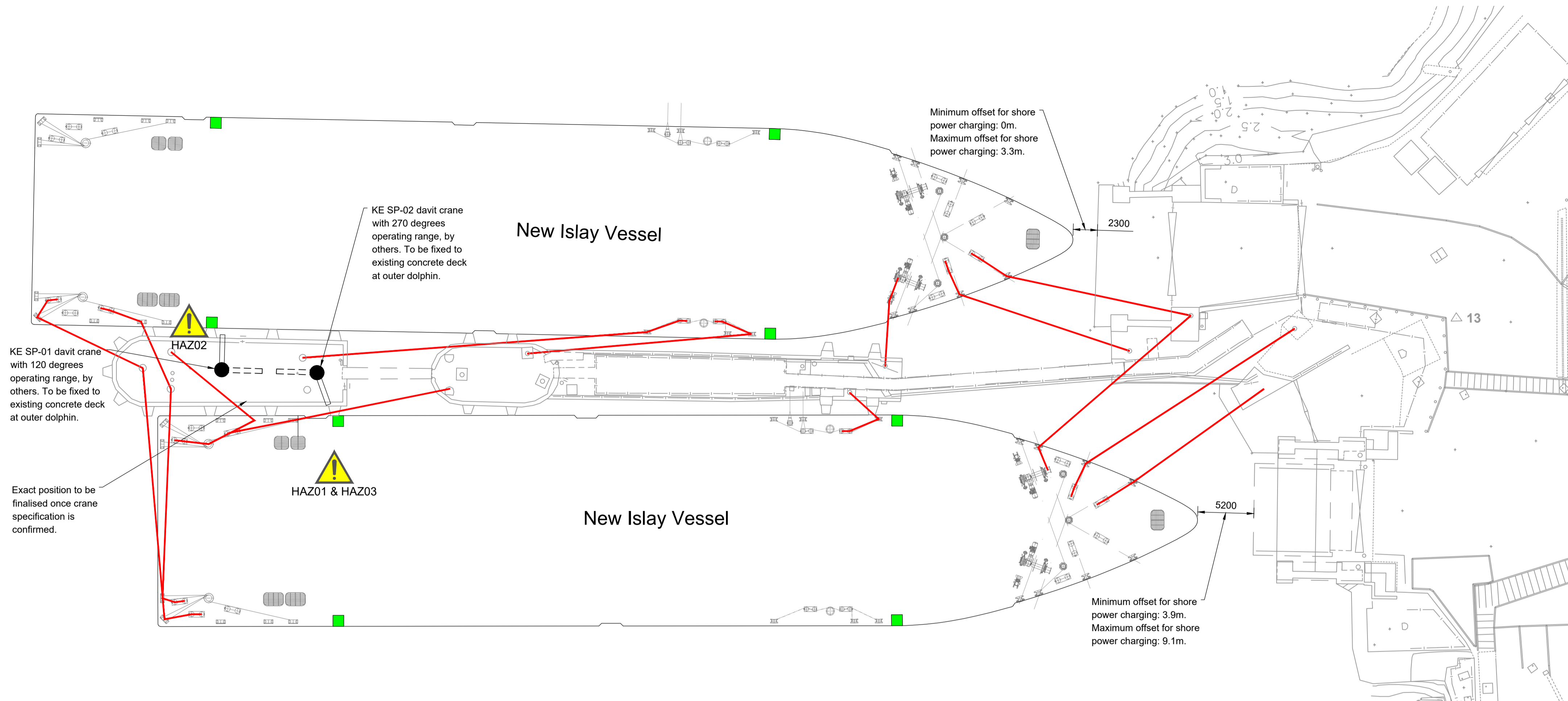
Client

Caledonian Maritime Assets Limited
Municipal Buildings
Fore Street
Port Glasgow
PA14 5EQ

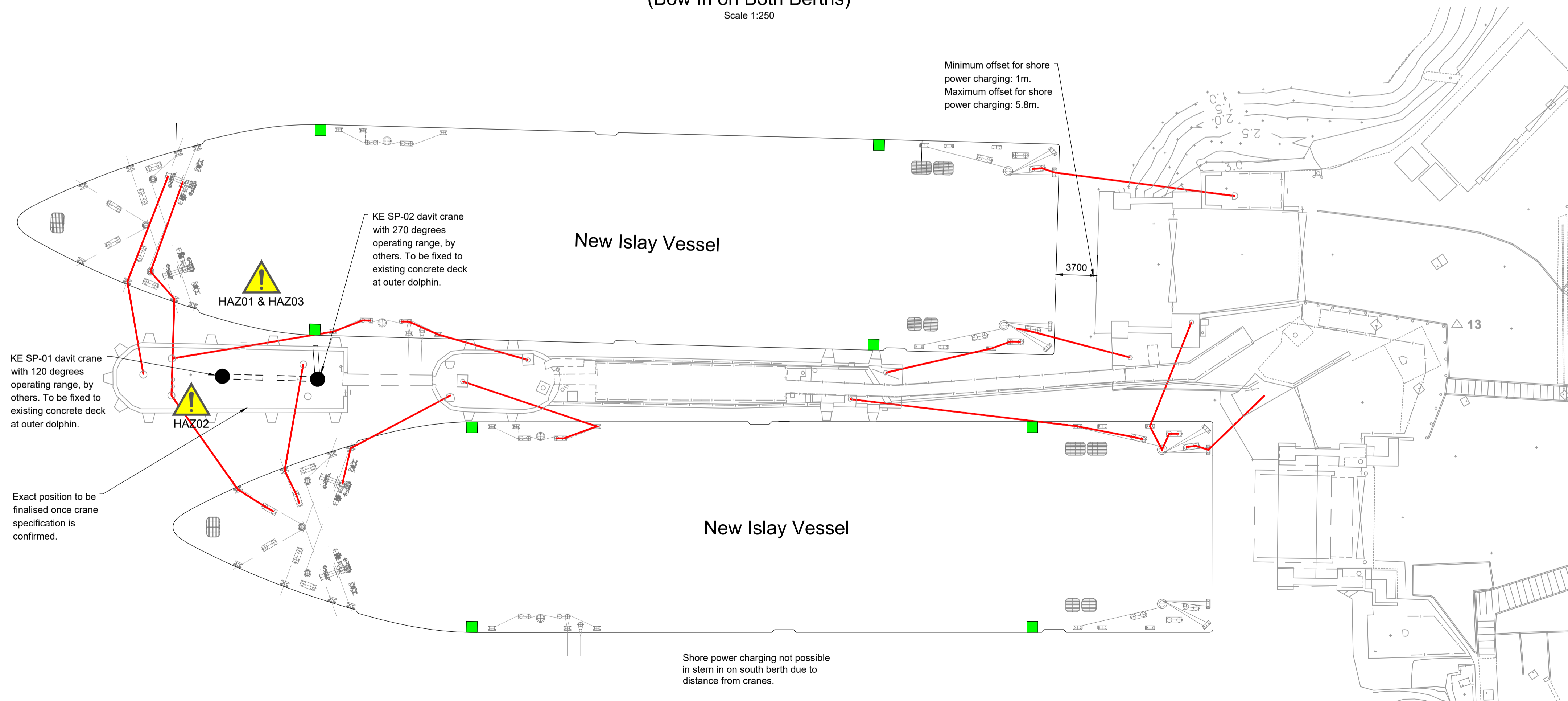
Title

New Islay Vessel Port Enabling Works
Kennacraig
Outer Dolphin Fenders

Designed	C. Flower	CF	Eng check	F. Hogg	FH
Drawn	R. Gatheral	RG	Coordination	G. Mather	GM
Dwg check	C. Campbell	CC	Approved	C. Ohl	CO
MMD Project Number	105612	Scale at A1	As Indicated	Security	STD
Suitability Description	Authorised and Accepted			Suit. Code	A1
Drawing Number	105612-MMD-KE-ZZ-DR-C-3150			Rev	C01



Plan
(Bow In on Both Berths)
Scale 1:250



Plan
(Stern In on Both Berths)
Scale 1:250

- Notes
- All chainages are in metres.
 - All dimensions in millimetres unless noted otherwise.
 - All levels in metres relative to Chart Datum (mCD) unless noted otherwise.
 - DO NOT SCALE. Follow written dimensions only.
 - The Client accepts no liability for the accuracy of the topographical & bathymetrical information provided.
 - The Contractor shall verify all dimensions, elevations, coordinates, and site conditions prior to execution.
 - Dimensions followed by an asterisks are to be confirmed by the contractor on site.
 - Notes followed by + denote items that are to be in accordance with manufacturers recommendations.
 - For general notes refer to drawing 105612-MMD-(**)-ZZ-DR-C-0011, where (**) denotes field 3 volume or system for the applicable project site CO, KE & PA.
 - Shore power crane to provide sufficient cable to allow the vessel to move (surge, heave, sway and roll) as per BS6369-8 Table HOLD Extreme conditions.
 - Concrete foundation for shore power crane to be contractor designed. Geometry of foundation shown are approximate based on the following unfactored loads:
Axial load at base of crane: P = 80kN max, 40kN min.
Moment at base of crane: 140kNm
Horizontal Shear: 15kN
 - Contractor shall obtain updated loading from CLIENT prior to commencing work

Key to symbols

	Indicative Mooring Line Arrangement
	Vessel Bunkering Location for Shore Power Connection

SAFETY, HEALTH AND ENVIRONMENTAL INFORMATION

It is a requirement that only experienced and competent contractors carry out the work described, using a recognised safe method of working. The following are specific significant residual risks identified by the designer and are additional to those hazards/risks normally associated with this type of work.

CONSTRUCTION:
HAZ02 - Clash with buried services.

OPERATIONS:
HAZ01 - Potential clash between boom and mooring lines, North and South berths.
HAZ03 - Manual handling.

MAINTENANCE:
03 - N/A

DEMOLITION:
04 - N/A

FUTURE ANTICIPATED WORK:
05 - N/A

Reference drawings

External Drawings:
Topographical Survey
Reference: A6287-CD
Date of Survey: 26.07.2022

C01	17.03.23	CC	Tender Issue	BR	CO
Rev	Date	Drawn	Description	Ch'k'd	App'd

Status Stamp

TENDER

M

MOTT

MACDONALD

St Vincent Plaza
319 St Vincent Street
Glasgow, G2 5LD
United Kingdom

T +44 (0)141 222 4500
F +44 (0)141 221 2048
W mottmac.com

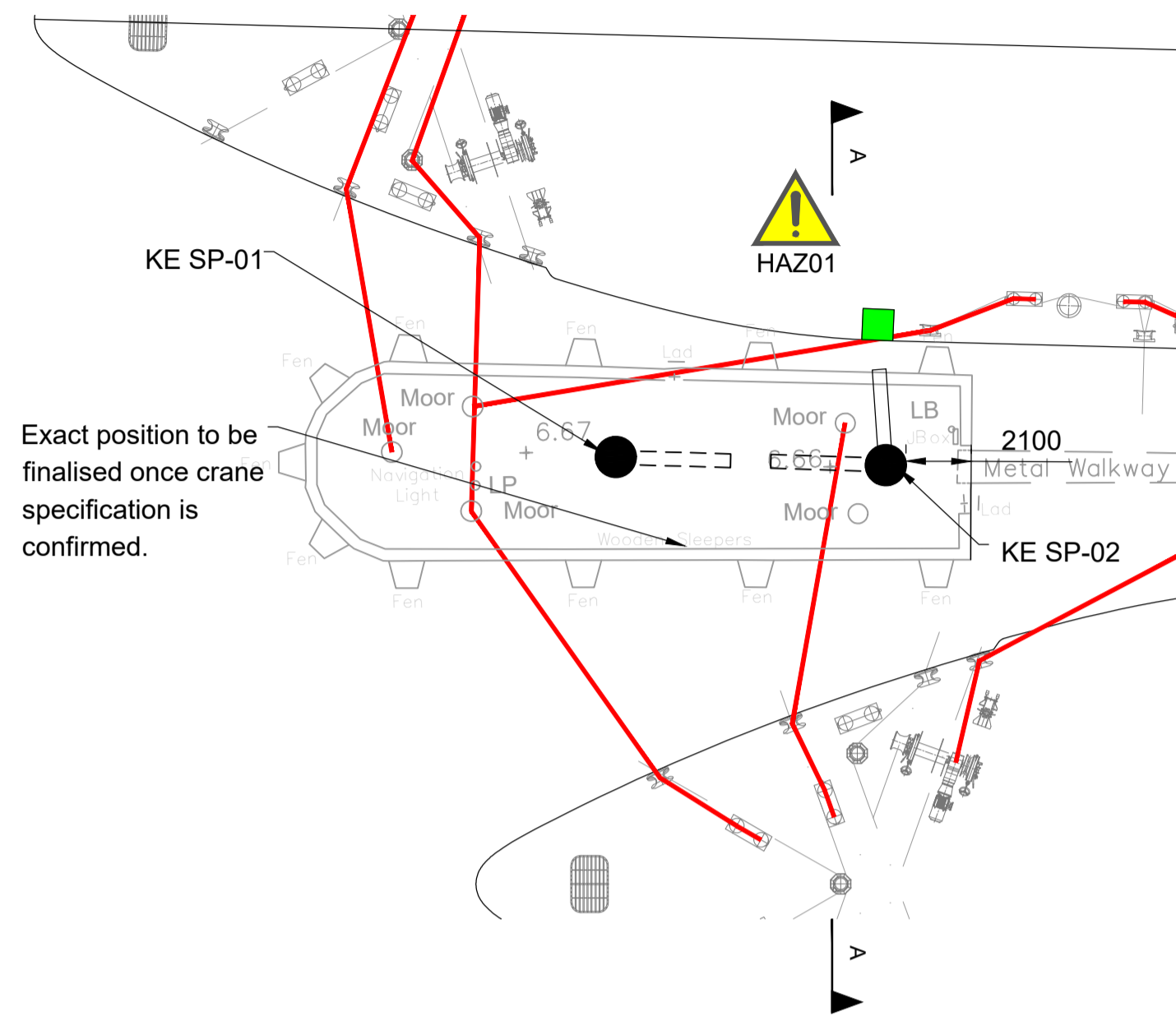
Client

Caledonian Maritime Assets Limited
Municipal Buildings
Fore Street
Port Glasgow
PA14 5EQ

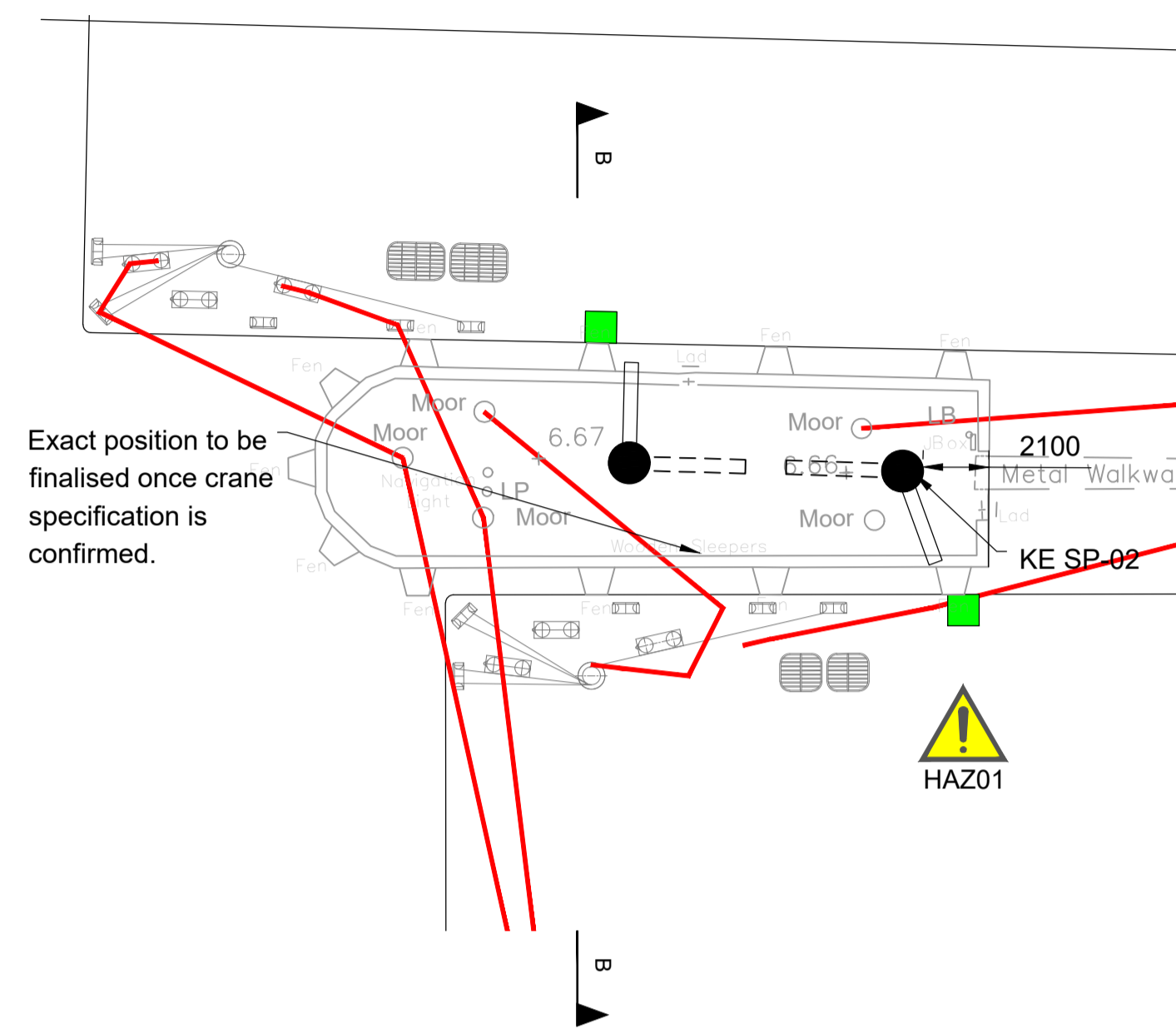
Title

New Islay Vessel Port Enabling Works
Kennacraig
Shore Power General Arrangement

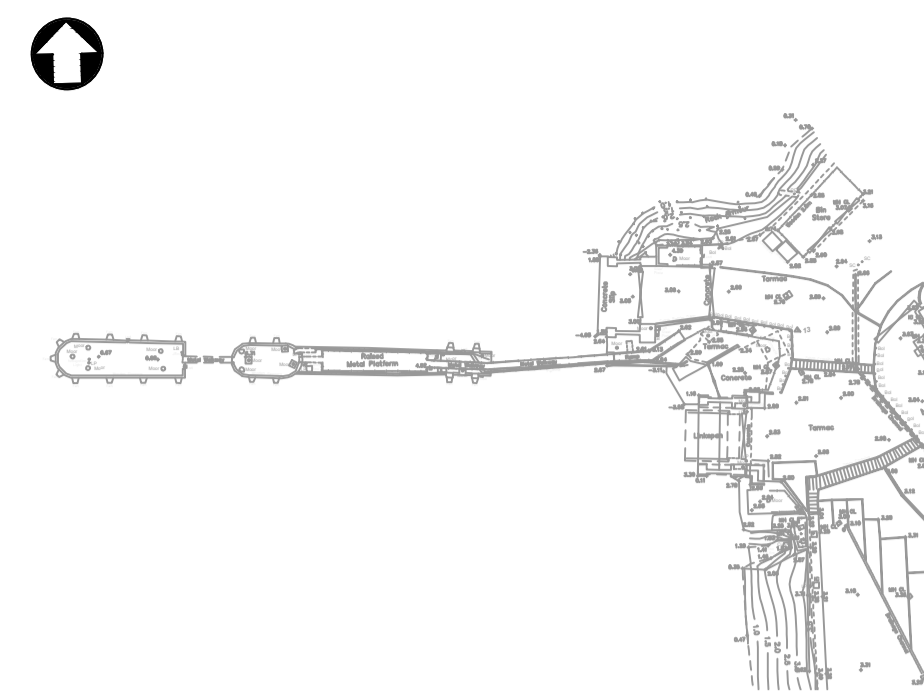
Designed	M. Kirkpatrick	MK	Eng check	M. Kirkpatrick	MK
Drawn	R. Gatheral	RG	Coordination	G. Mather	GM
Dwg check	G. Mather	GM	Approved	C. Ohi	CO
MMD Project Number	105612		Scale at A1	1:250	
Suitability Description	Authorised and Accepted				Suit. Code
Drawing Number	105612-MMD-KE-ZZ-DR-C-3400				Rev
					C01



Plan
(Stern In on Both Berths)
Scale 1:100



Plan
(Bow In on Both Berths)
Scale 1:100



General Key Plan
Scale 1:1250

MODEL 1: PE SP-01, PA SP-01	
Height of boom tip from quayside	8.2m
Fixed boom length from centre of rotation to tip	3.7m
MODEL 2: KE SP-01, KE SP-02, PE SP-02	
Height of boom tip from quayside	6.0m
Fixed boom length from centre of rotation to tip	3.3m

- Notes**
- All chainages are in metres.
 - All dimensions in millimetres unless noted otherwise.
 - All levels in metres relative to Chart Datum (mCD) unless noted otherwise.
 - DO NOT SCALE. Follow written dimensions only.
 - The Client accepts no liability for the accuracy of the topographical & bathymetrical information provided.
 - The Contractor shall verify all dimensions, elevations, coordinates, and site conditions prior to execution.
 - Dimensions followed by an asterisk are to be confirmed by the contractor on site.
 - Notes followed by + denote items that are to be in accordance with manufacturers recommendations.
 - For general notes refer to drawing 105612-MMD-(**)-ZZ-DR-C-0011, where (**) denotes field 3 volume or system for the applicable project site CO, KE & PA.
 - Shore power crane to provide sufficient cable to allow the vessel to move (surge, heave, sway and roll) as per BS6369-8 Table HOLD Extreme conditions.
 - Concrete foundation for shore power crane to be contractor designed. Geometry of foundation shown are approximate based on the following unfactored loads:
Axial load at base of crane: P = 80kN max, 40kN min.
Moment at base of crane: 140kNm
Horizontal Shear: 15kN
 - Contractor shall obtain updated loading from CLIENT prior to commencing work

Key to symbols

	Vessel
	Fenders
	Shore Power Connection

SAFETY, HEALTH AND ENVIRONMENTAL INFORMATION

It is a requirement that only experienced and competent contractors carry out the work described, using a recognised safe method of working. The following are specific significant residual risks identified by the designer and are additional to those hazards/risks normally associated with this type of work.

CONSTRUCTION:
HAZ02 - Clash with buried services.

OPERATIONS:
HAZ01 - Potential clash between boom and mooring lines, North and South berths.
HAZ03 - Manual handling.

MAINTENANCE:
03 - N/A

DEMOLITION:
04 - N/A

FUTURE ANTICIPATED WORK:
05 - N/A

Reference drawings

External Drawings:
A8287-ASP-KE-ZZ-M3-G-0001 Kennacraig Revit Model 2022

Rev	Date	Drawn	Description	Ch'k'd	App'd
C01	17.03.23	CC	Tender Issue	BR	CO

Status Stamp

TENDER

MOTT MACDONALD

St Vincent Plaza
319 St Vincent Street
Glasgow, G2 5LD
United Kingdom

T +44 (0)141 222 4500
F +44 (0)141 221 2048
W mottmac.com

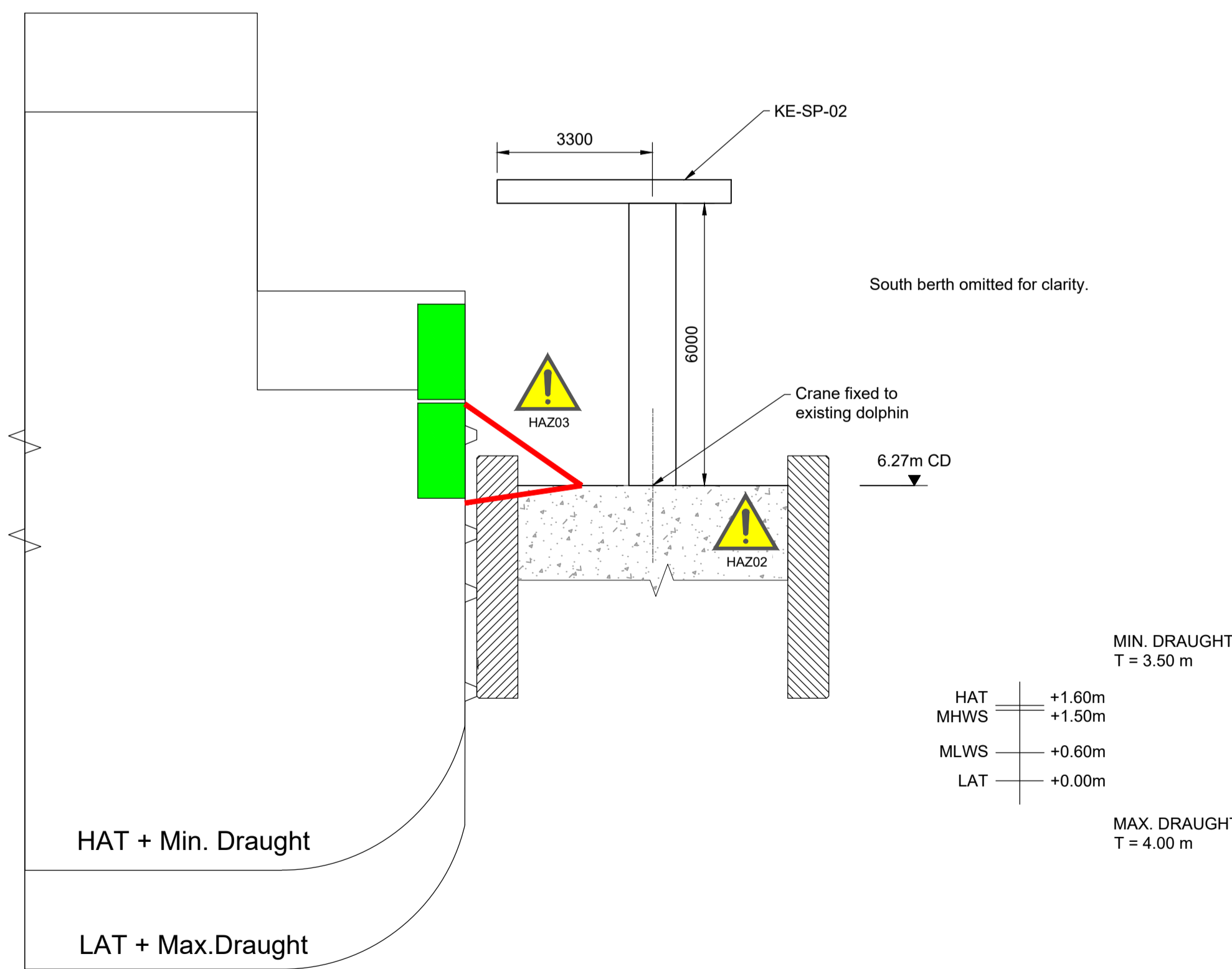
Client

Caledonian Maritime Assets Limited
Municipal Buildings
Fore Street
Port Glasgow
PA14 5EQ

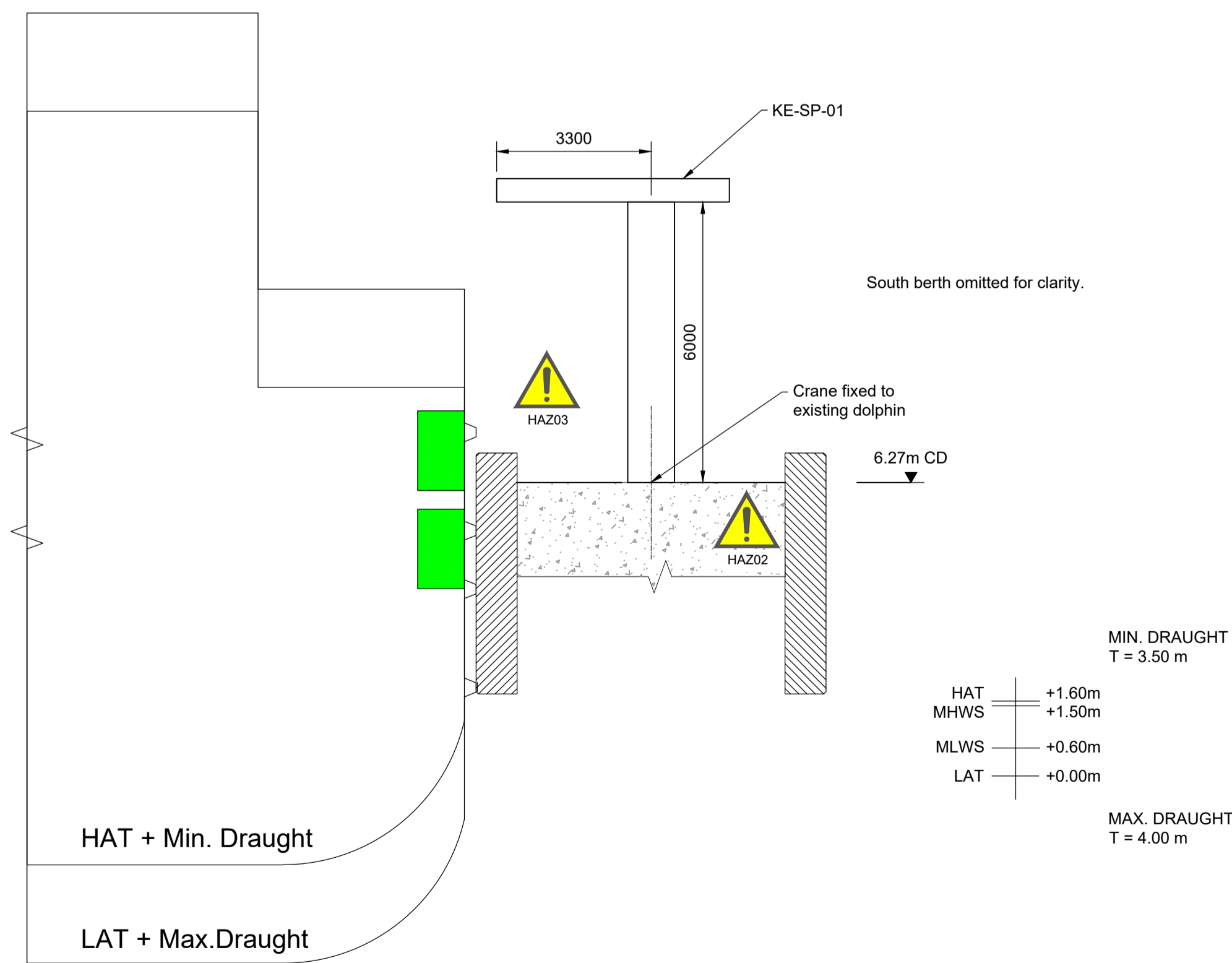
Title

New Islay Vessel Port Enabling Works
Port Kennacraig
Shore Power Interface
Plan And Section

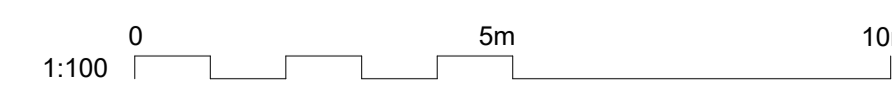
Designed	B. Radcliffe	BR	Eng check	F. Hogg	FH
Drawn	A. PARR	AJP	Coordination	G. Mather	GM
Dwg check	G. Mathers	GM	Approved	C. Ohi	CO
MMD Project Number	105612	Scale at A1	AS SHOWN	Security	STD
Suitability Description	Authorised and Accepted			Suit. Code	A1
Drawing Number	105612-MMD-KE-ZZ-DR-C-3410			Rev	C01

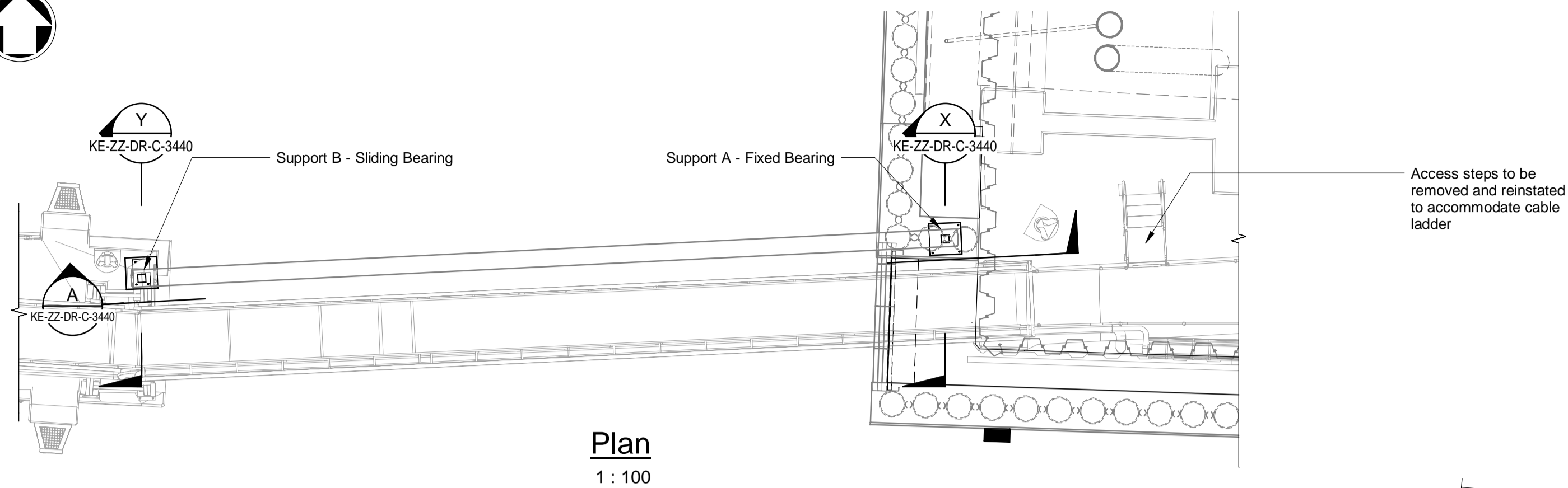
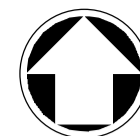


Section A-A
Scale 1:100

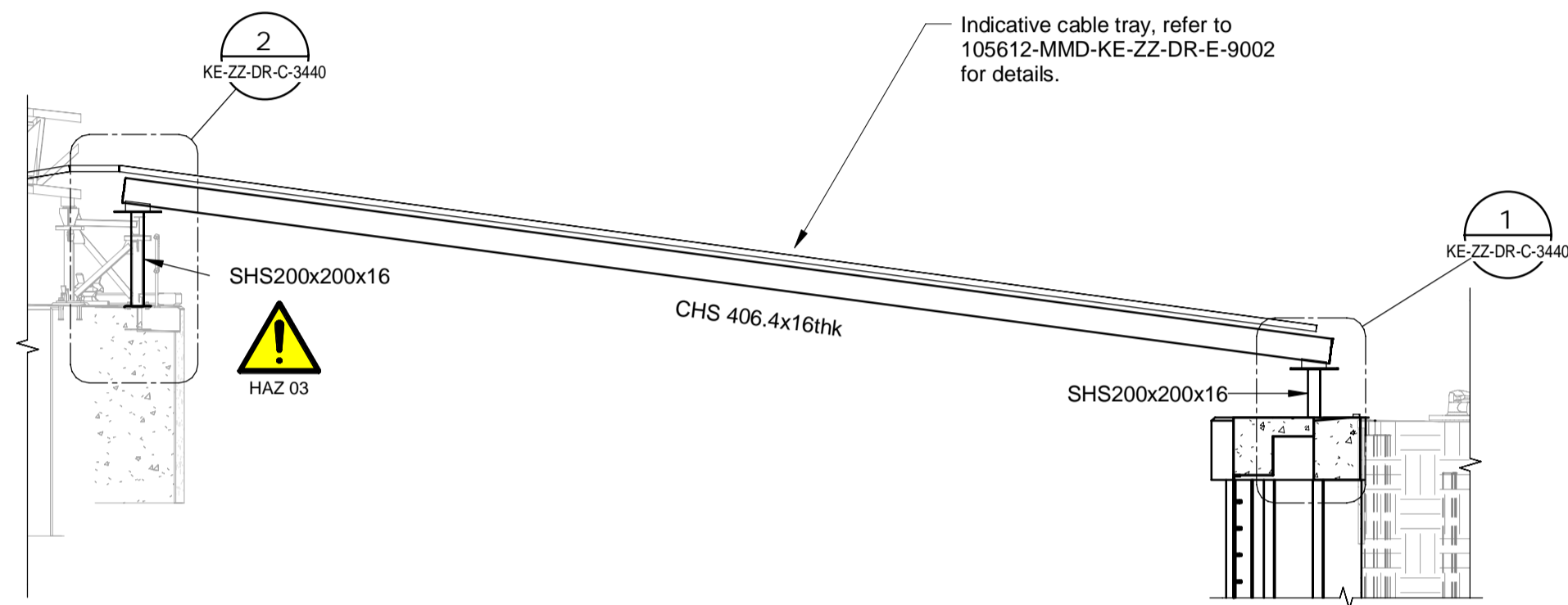


Section B-B
Scale 1:100

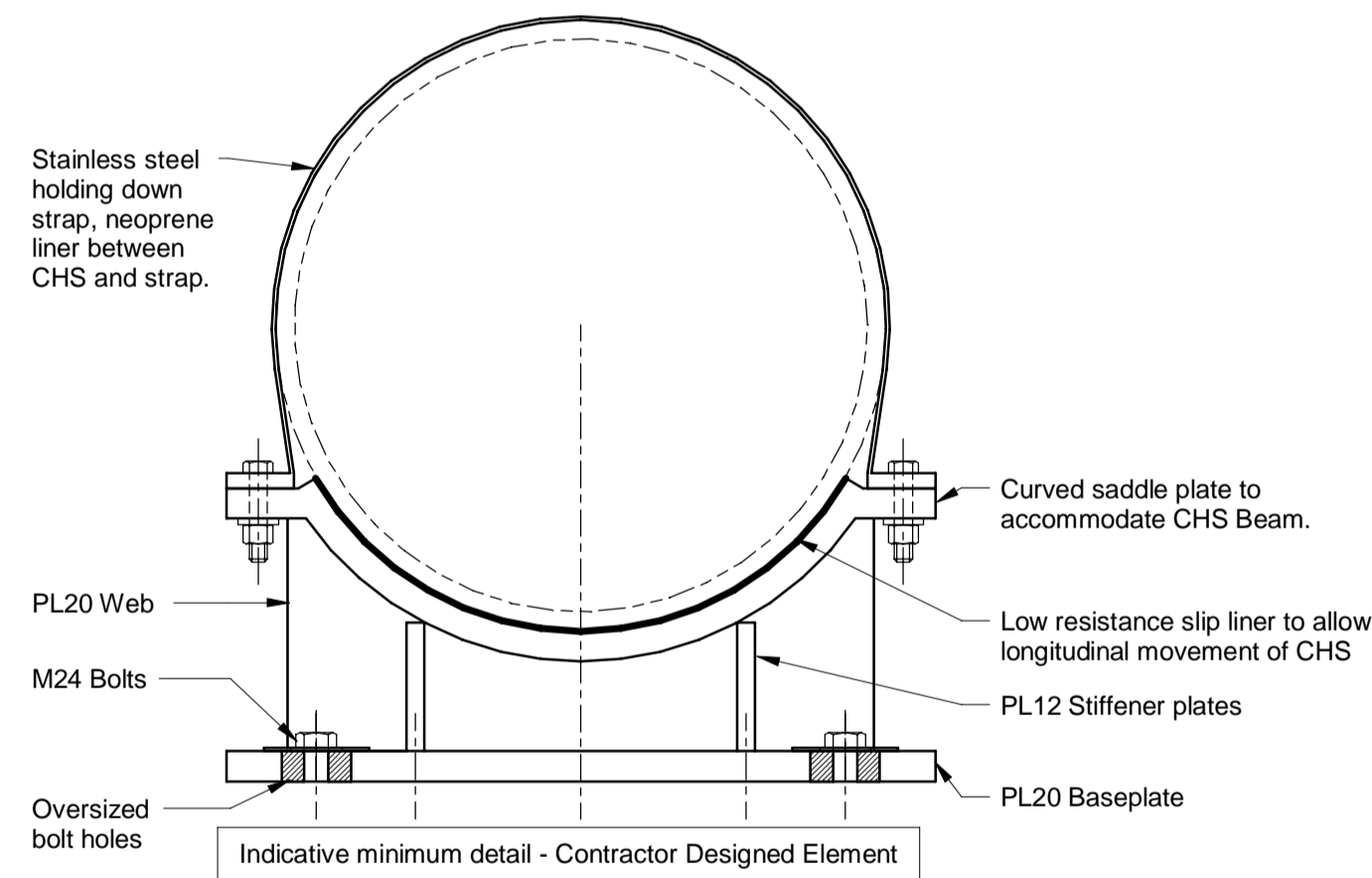




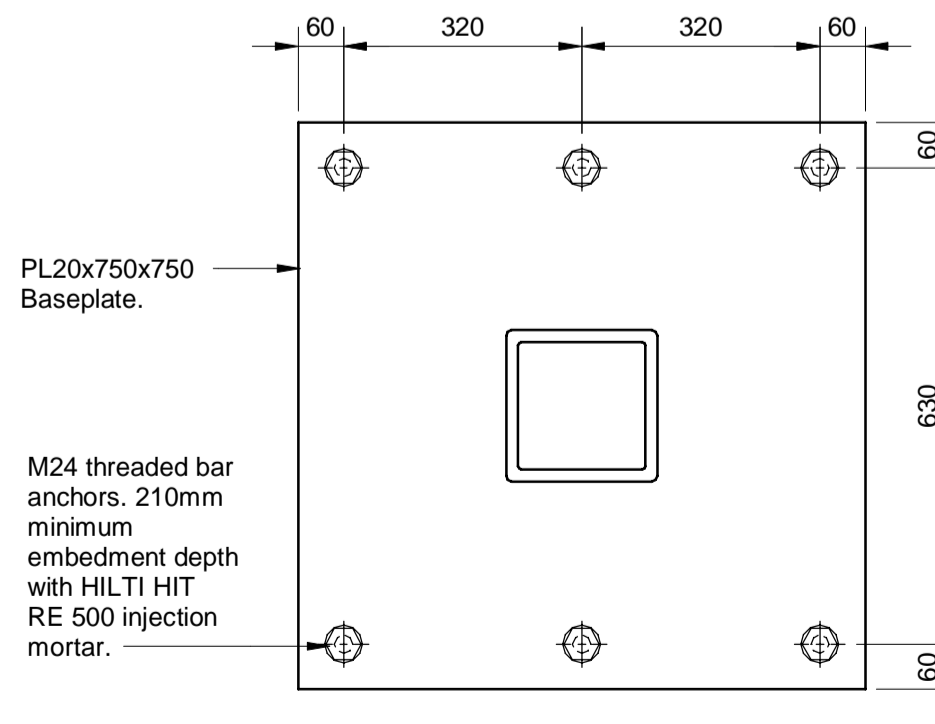
Plan
1 : 100



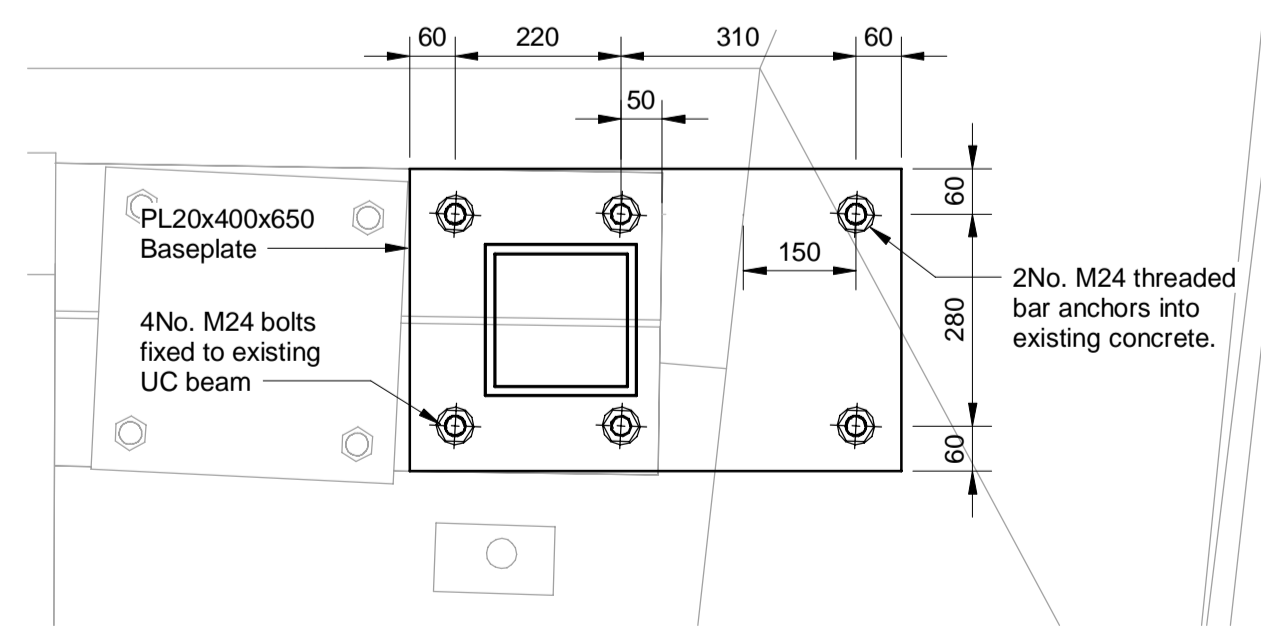
SECTION A
1 : 100
KE-ZZ-DR-C-3440



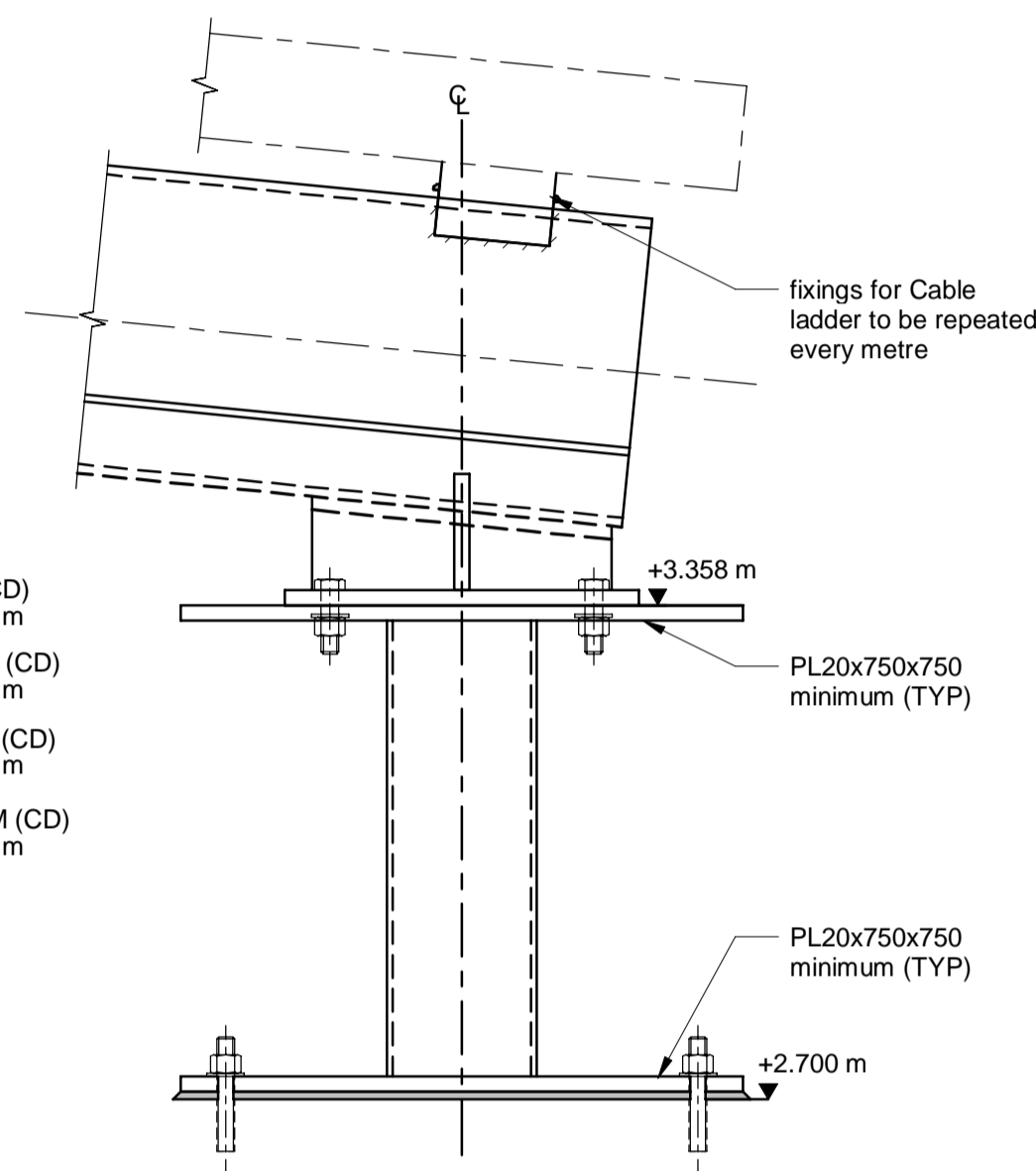
Detail 3 (Saddle)
1:5



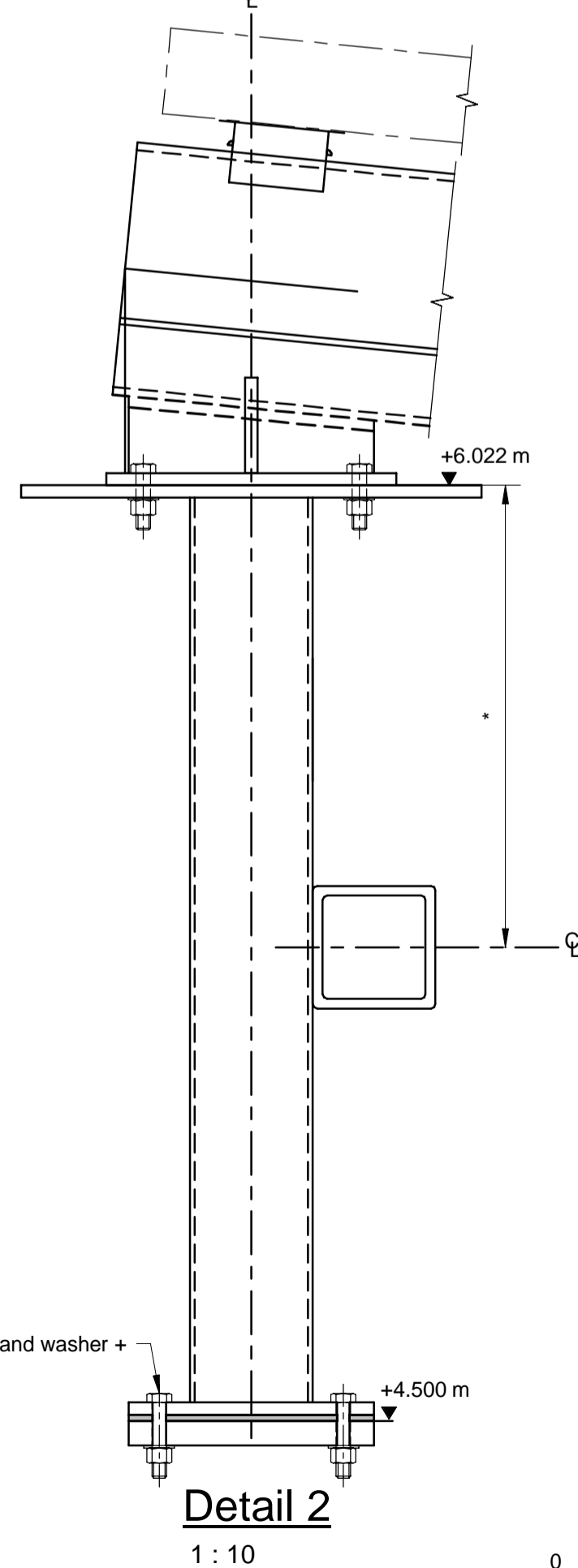
Support A Base Plate Plan
1:10



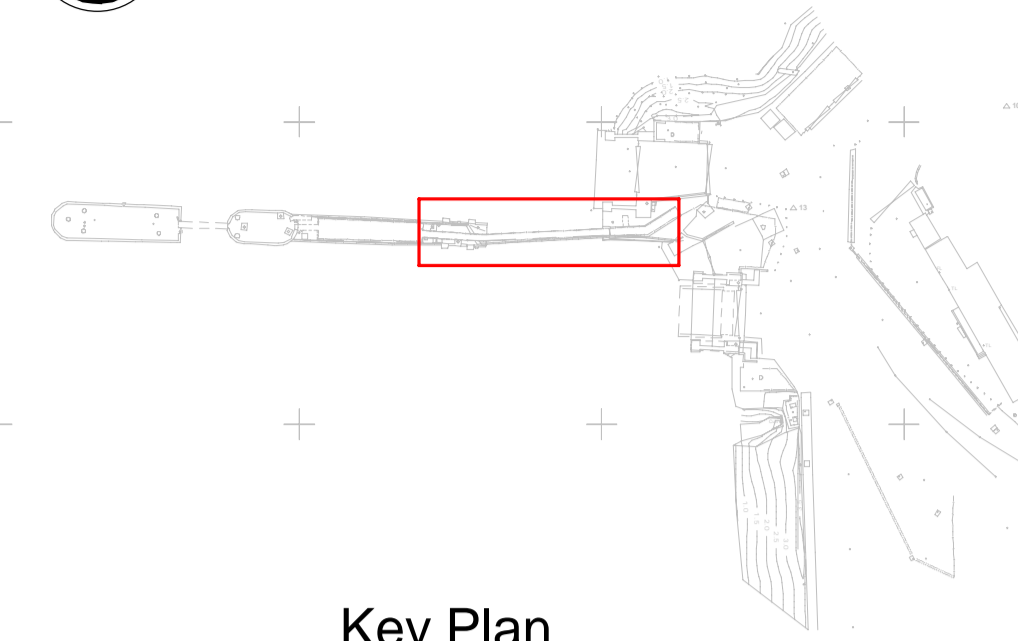
Support B Base Plate Plan
1 : 10



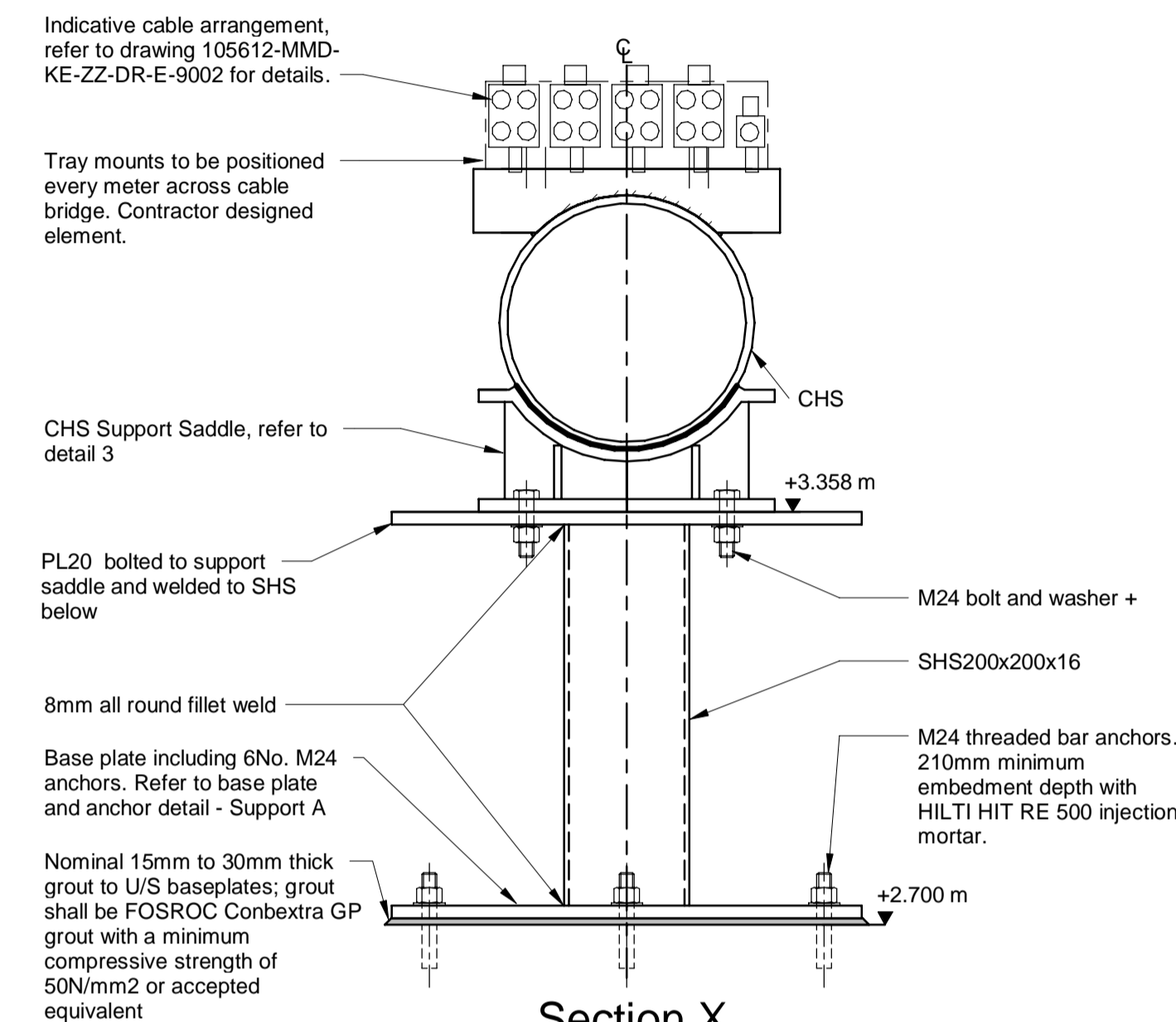
Detail 1
1:10



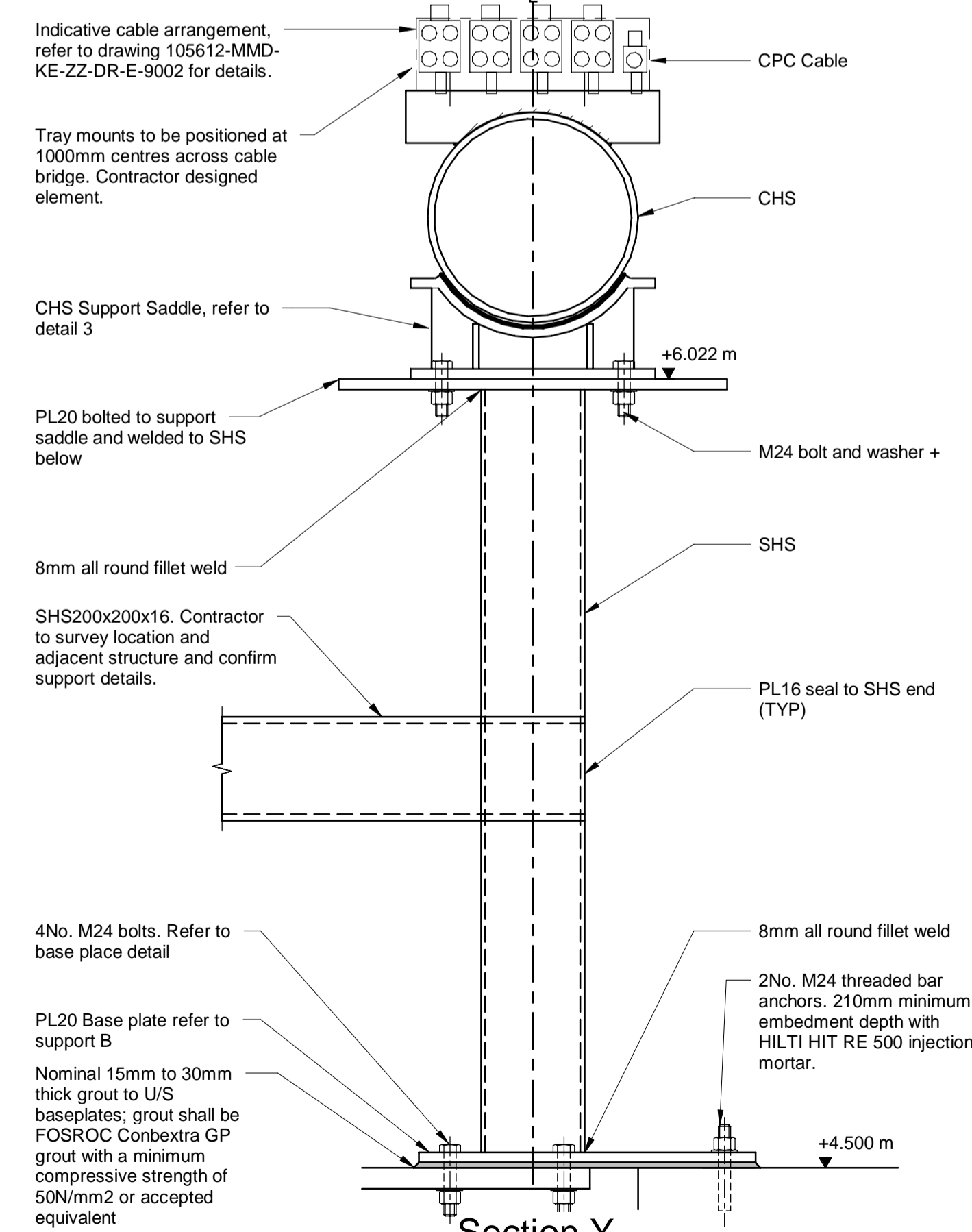
Detail 2
1:10



Key Plan
1 : 1250



Section X
1:10



Section Y
1:10

- Notes**
- All chainages are in metres.
 - All dimensions in millimetres unless noted otherwise.
 - All levels in metres relative to Chart Datum (mCD) unless noted otherwise.
 - DO NOT SCALE. Follow written dimensions only.
 - The Client accepts no liability for the accuracy of the topographical & bathymetrical information provided.
 - The Contractor shall verify all dimensions, elevations, coordinates, and site conditions prior to execution.
 - Dimensions followed by an asterisks are to be confirmed by the contractor on site.
 - Notes followed by + denote items that are to be in accordance with manufacturers recommendations.
 - For general notes refer to drawing 105612-MMD-(-)-ZZ-0011
 - (**) denotes field 3 Volume or system varies per project site CO, KE & PA.
 - Refer to specification for paint. All steelwork to be painted black. All bolts shall be stainless steel unless noted otherwise. Bolts shall be in accordance with the specification.

Key to symbols

SAFETY, HEALTH AND ENVIRONMENTAL INFORMATION

It is a requirement that only experienced and competent contractors carry out the work described, using a recognised safe method of working. The following are specific significant residual risks identified by the designer and are additional to those hazards/risks normally associated with this type of work.

CONSTRUCTION:

01 - Clash with buried services
02 - Clash with buried infrastructure
03 - On site welding required

OPERATIONS:

N/A

Reference drawings

External Drawings:

Topographical Survey
Reference: A8287-CD
Date of Survey: 26.07.2022

Reference Drawings:
105612-MMD-KE-ZZ-DR-E-9000-General Arrangement Electric Shore Power Sheet 1
105612-MMD-KE-ZZ-DR-E-9001 - General Arrangement Electric Shore Power Sheet 2
105612-MMD-KE-ZZ-DR-E-9100 - LV Schematic
105612-MMD-KE-ZZ-DR-C-3400 - Shore Power General Arrangement
105612-MMD-KE-ZZ-DR-C-3410 - Shore Power Plan & Sections
105612-MMD-KE-ZZ-DR-C-3450 - Cable Bridge (Middle Dolphin to Outer Dolphin)
105612-MMD-KE-ZZ-DR-C-6120 - Paving Manholes and ducting

Rev	Date	Drawn	Description	Ch'k'd	App'd
C01	17.03.2023	LM	Tender Issue	BR	CO

TENDER

MOTT MACDONALD

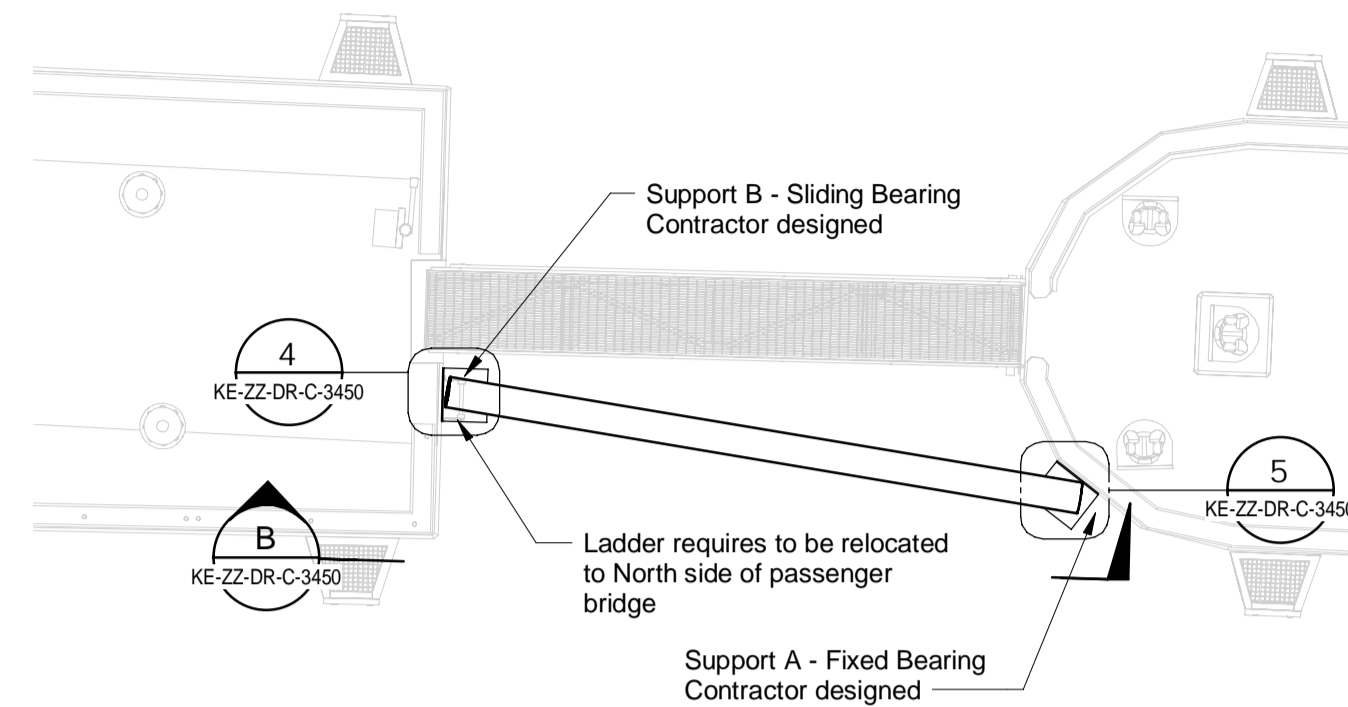
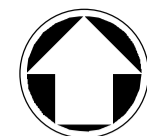
Mott MacDonald
St Vincent Plaza
319 St Vincent Street
Glasgow, G2 5LD
United Kingdom

T +44 (0)141 222 4500
F +44 (0)141 221 2048
W mottmac.com

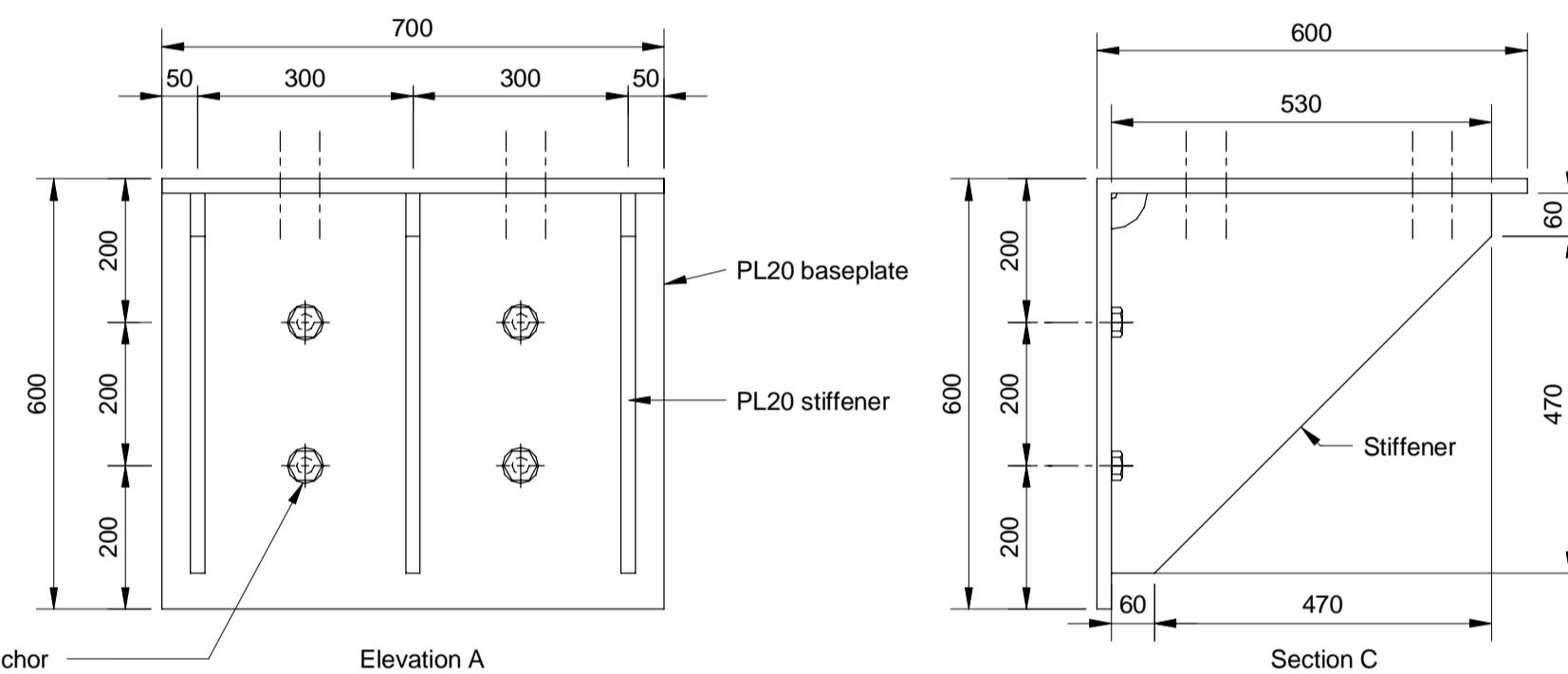
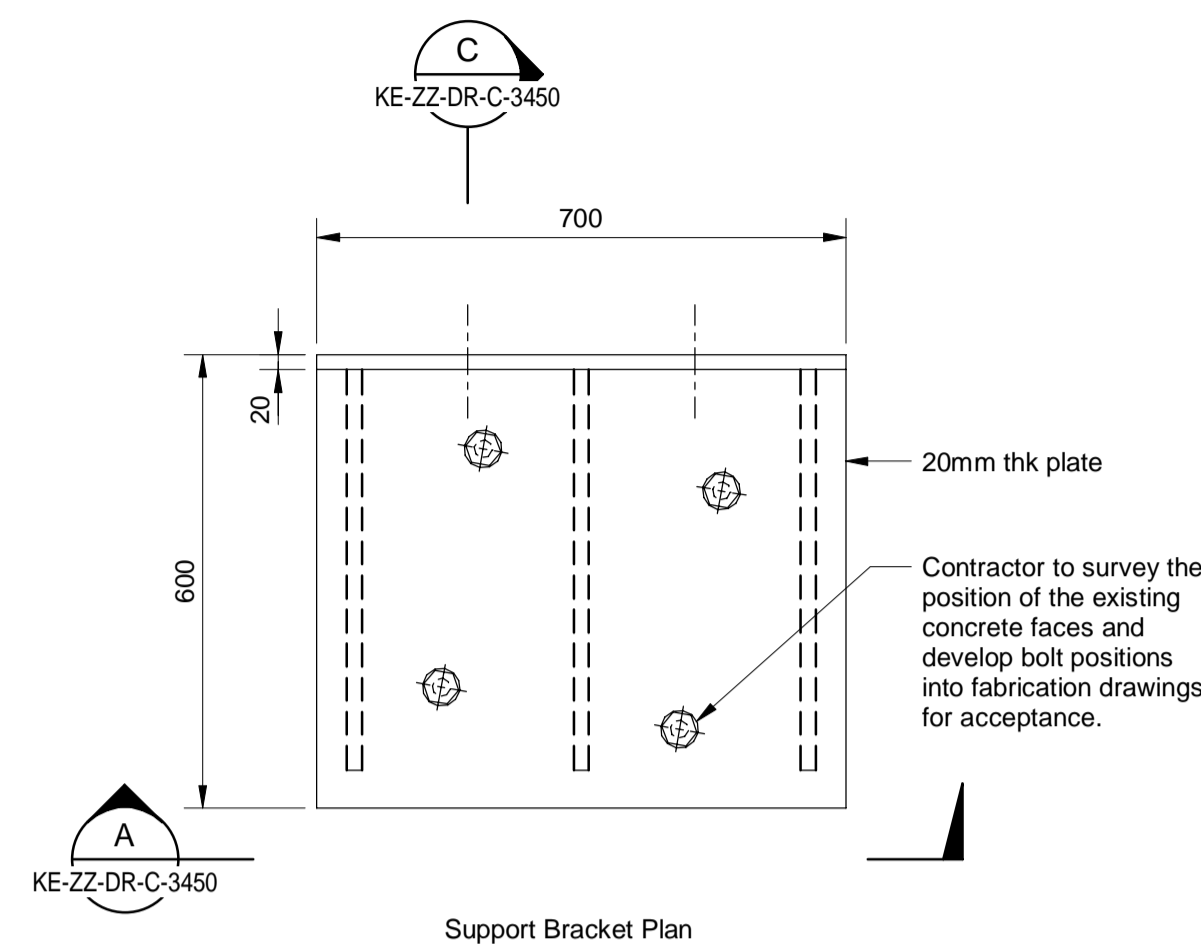
Client
Caledonian Maritime Assets Limited
Municipal Buildings
Fore Street
Port Glasgow
PA14 5EQ

Title
New Islay Vessel Port Enabling Works
Kennacraig
Cable Bridge (Onshore to Inner Dolphin)

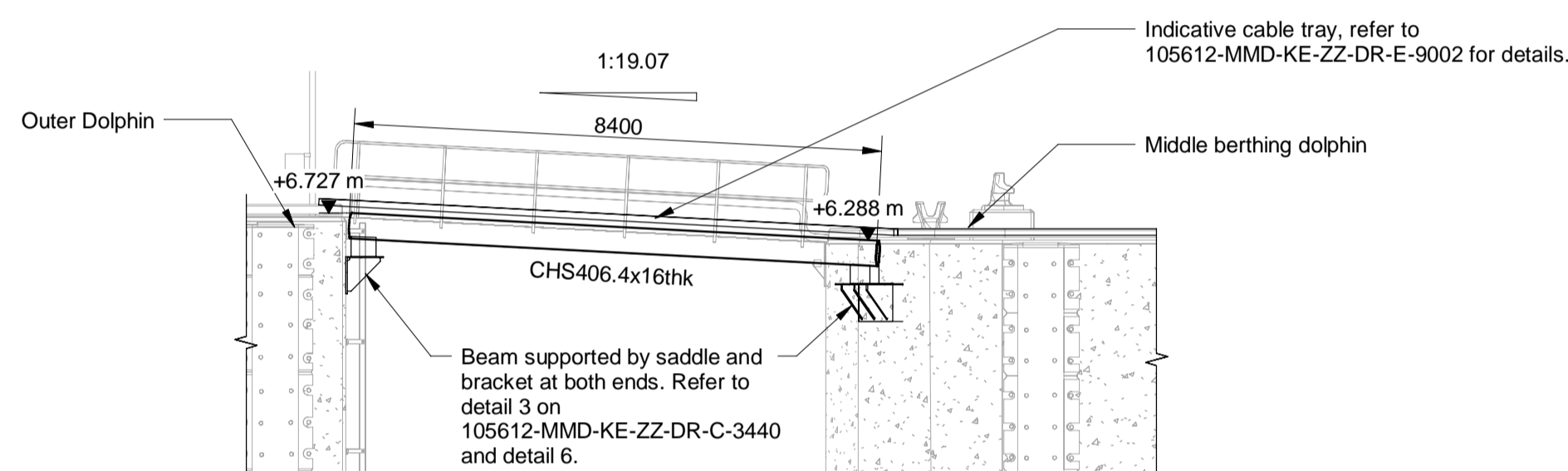
Designed	R. Macrae	RM	Eng. Check	D. Brunner	DB
Drawn	J. Brown	JB	Coordination	G. Mather	GM
Dwg. Check	R. Macrae	BR	Approved	C. Ohi	CO
MMD Project Number	105612	Scale at A1	1:10, 1:100	Security	STD
Suitability Description	Authorised and Accepted			Suit. Code	A1
Drawing Number	105612-MMD-KE-ZZ-DR-C-3440			Rev	C01



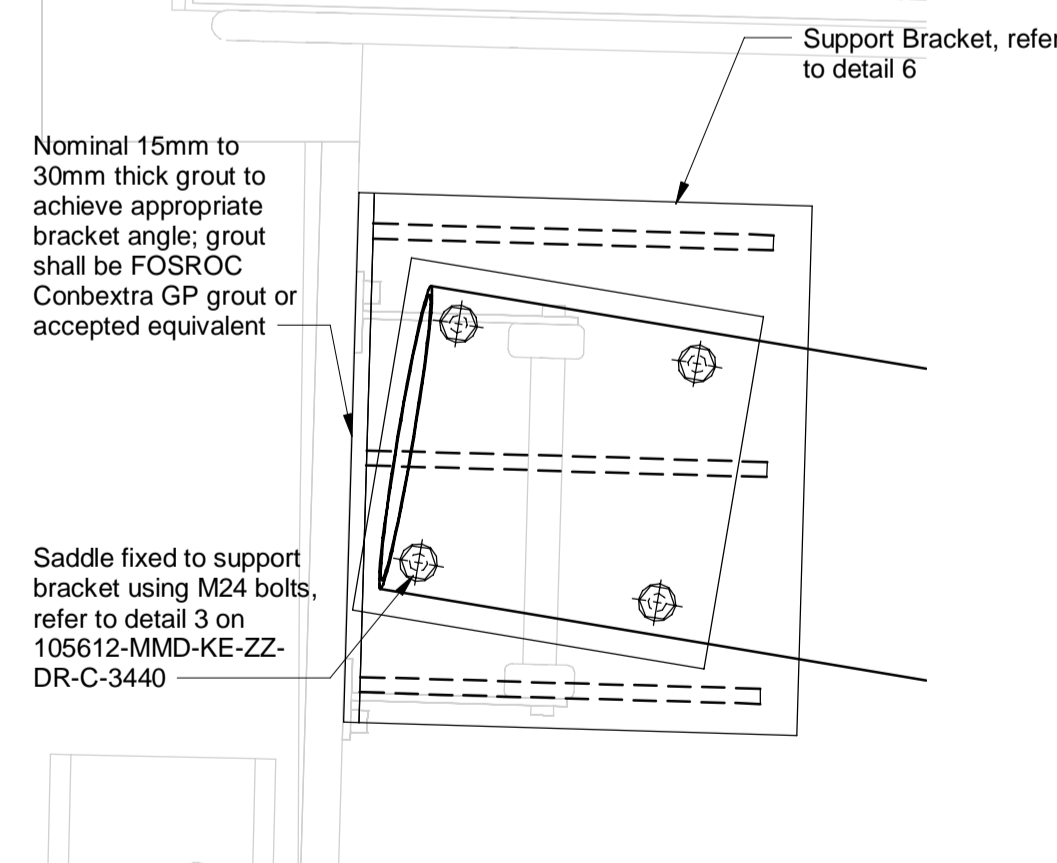
Plan
1 : 100



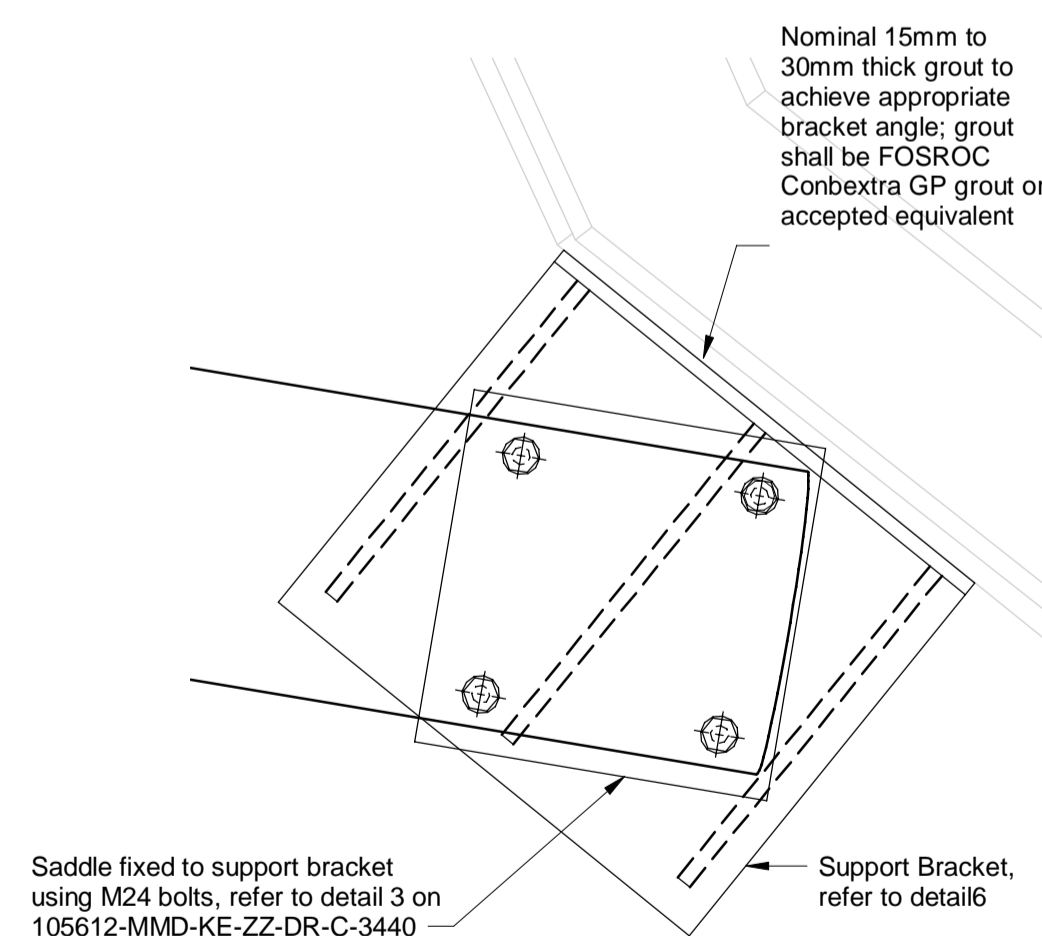
DETAIL 6
1 : 10



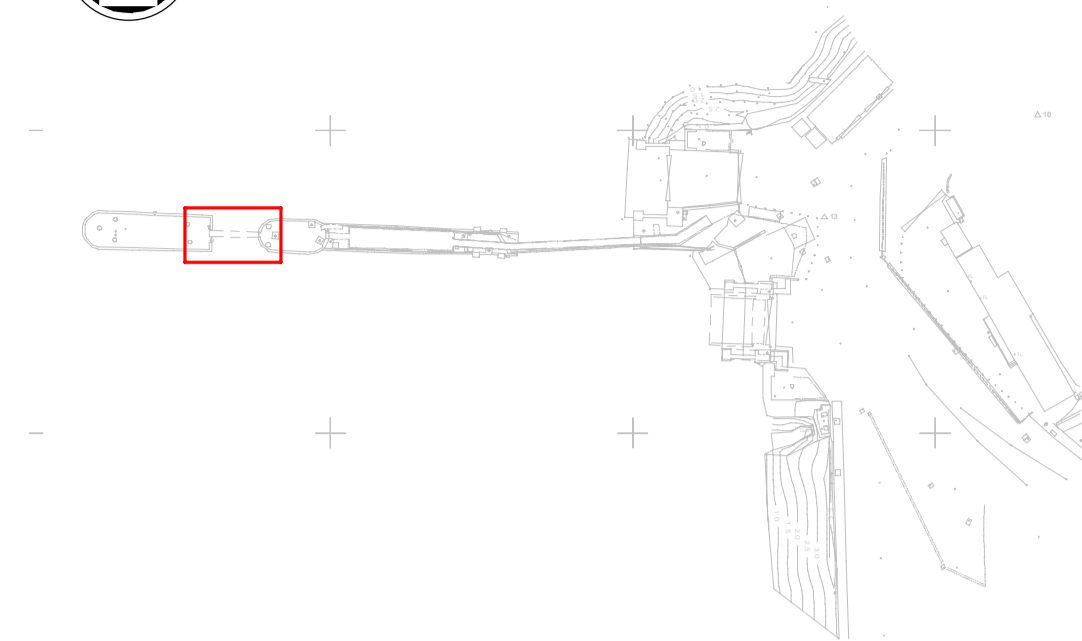
SECTION B
1 : 100



DETAIL 4
1 : 10



DETAIL 5
1 : 10



Key Plan
1 : 1250

- Notes
- All chainages are in metres.
 - All dimensions in millimetres unless noted otherwise.
 - All levels in metres relative to Chart Datum (mCD) unless noted otherwise.
 - DO NOT SCALE. Follow written dimensions only.
 - The Client accepts no liability for the accuracy of the topographical & bathymetrical information provided
 - The Contractor shall verify all dimensions, elevations, coordinates, and site conditions prior to execution.
 - Dimensions followed by an asterisks are to be confirmed by the contractor on site.
 - Notes followed by + denote items that are to be in accordance with manufacturers recommendations.
 - For general notes refer to drawing 105612-MMD-(**)-ZZ-0011 (** denotes field 3 Volume or system varies per project site CO, KE & PA.

Key to symbols

SAFETY, HEALTH AND ENVIRONMENTAL INFORMATION

It is a requirement that only experienced and competent contractors carry out the work described, using a recognised safe method of working. The following are specific significant residual risks identified by the designer and are additional to those hazards/risks normally associated with this type of work.

CONSTRUCTION:

01 - Clash with buried services
02 - Clash with buried infrastructure
03 - On site welding required

OPERATIONS:

N/A

Reference drawings

External Drawings:

Topographical Survey
Reference: A8287-CD
Date of Survey: 26.07.2022

Reference Drawings:
105612-MMD-KE-ZZ-DR-E-9000-General Arrangement Electric Shore Power Sheet 1
105612-MMD-KE-ZZ-DR-E-9001 - General Arrangement Electric Shore Power Sheet 2
105612-MMD-KE-ZZ-DR-E-9100 - LV Schematic
105612-MMD-KE-ZZ-DR-C-3400 - Shore Power General Arrangement
105612-MMD-KE-ZZ-DR-C-3410 - Shore Power Plan & Sections
105612-MMD-KE-ZZ-DR-C-3450 - Cable Bridge (Middle Dolphin to Outer Dolphin)
105612-MMD-KE-ZZ-DR-C-6120 - Paving Manholes and ducting

Rev	Date	Drawn	Description	Ch'k'd	App'd
C01	17.03.2023	LM	Tender Issue	BR	CO

Status Stamp

TENDER

MOTT MACDONALD

Mott MacDonald
St Vincent Plaza
319 St Vincent Street
Glasgow, G2 5LD
United Kingdom

T +44 (0)141 222 4500
F +44 (0)141 221 2048
W mottmac.com

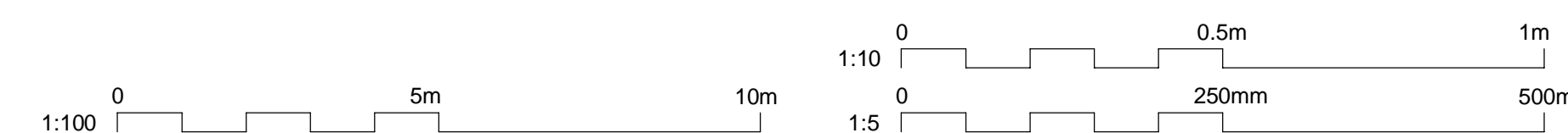
Client

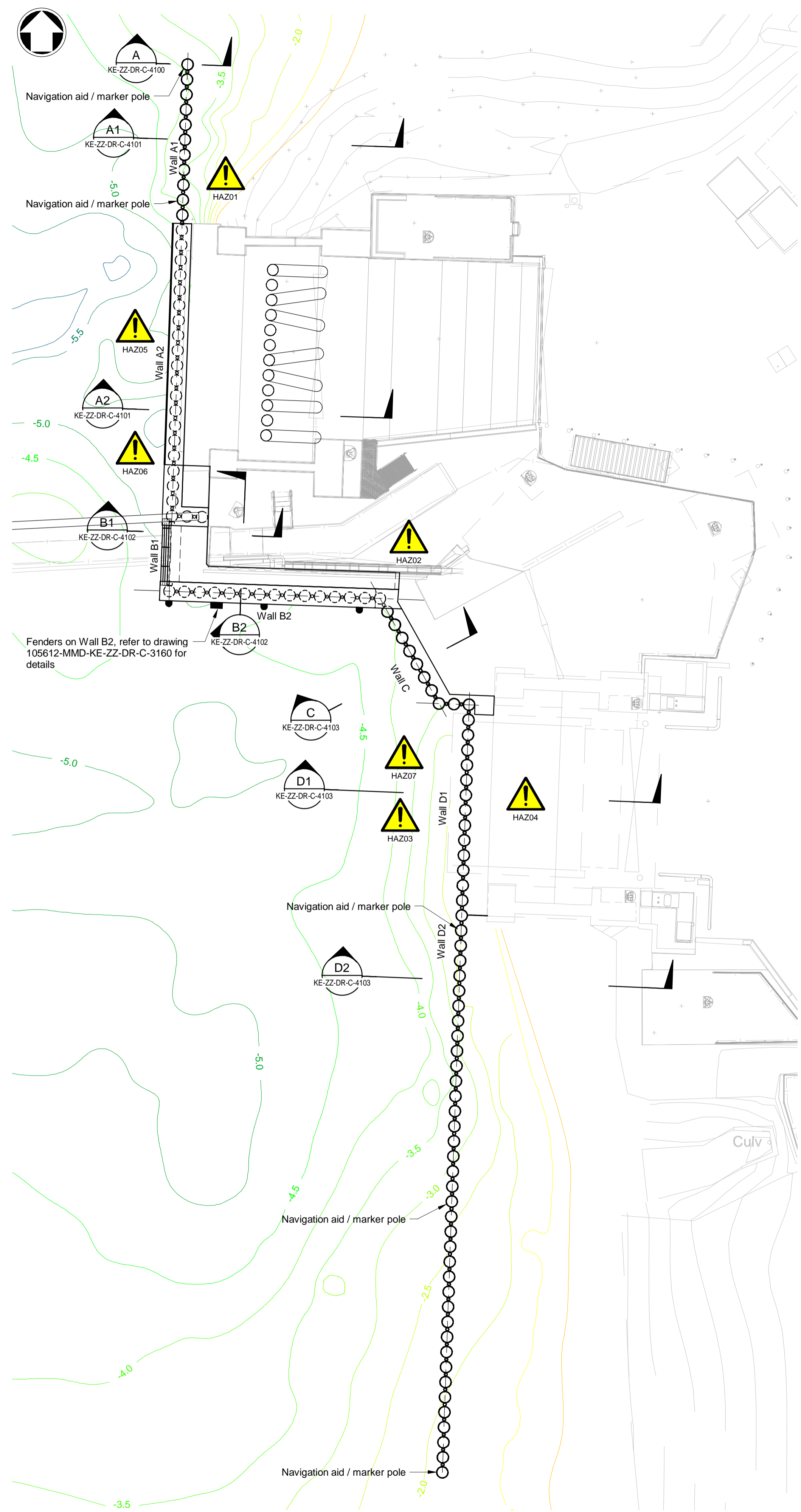
Caledonian Maritime Assets Limited
Municipal Buildings
Fore Street
Port Glasgow
PA14 5EQ

Title

New Islay Vessel Port Enabling Works
Kennacraig
Cable Bridge (Middle to Outer Dolphin)

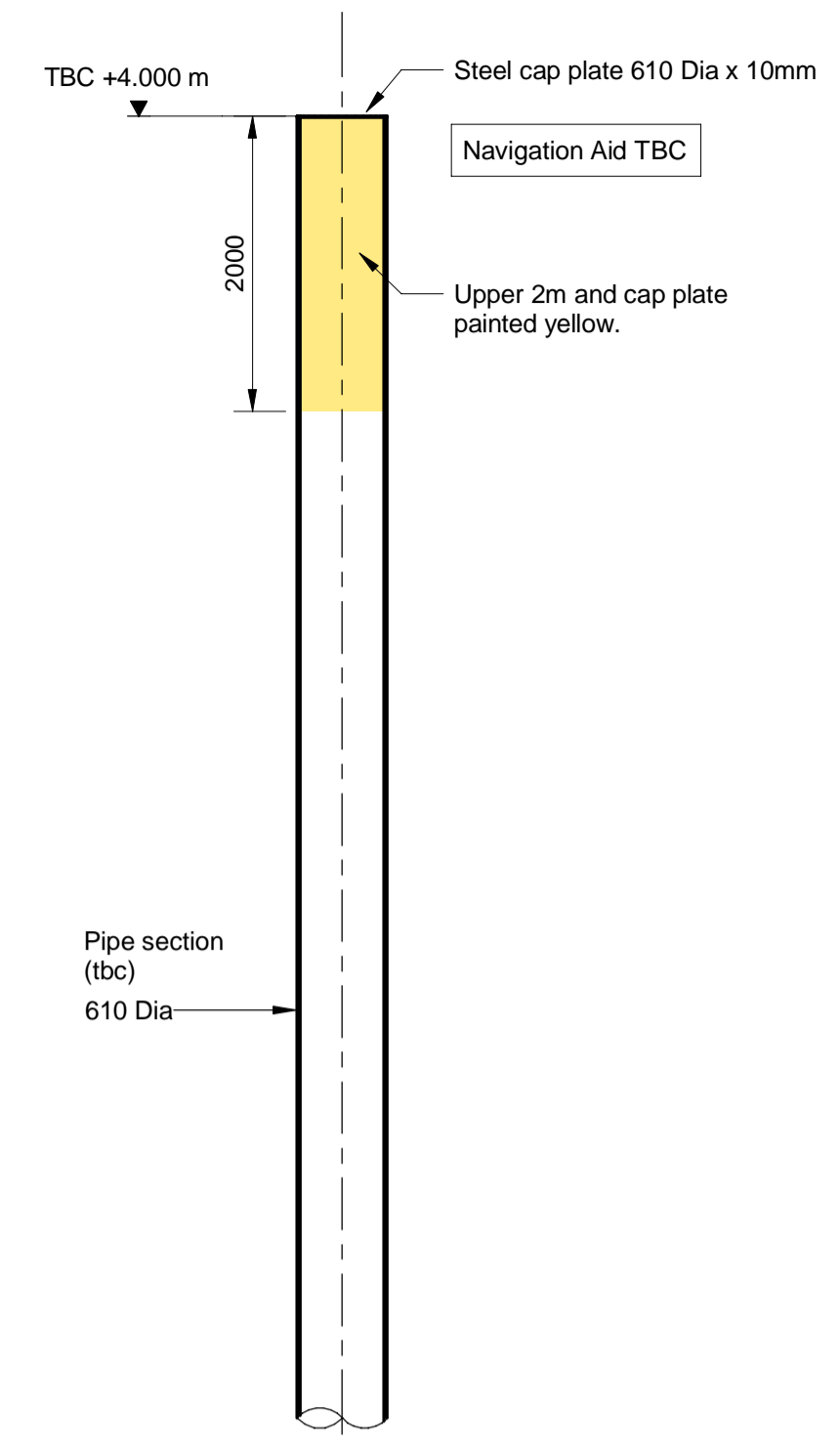
Designed	R. Macrae	RM	Eng. Check	D. Brunner	DB
Drawn	J. Brown	JB	Coordination	G. Mather	GM
Dwg. Check	R. Macrae	RM	Approved	C. O'H	CO
MMD Project Number	105612	Scale at A1	1:5, 1:10, 1:100	Security	STD
Suitability Description	Authorised and Accepted				Suit. Code A1
Drawing Number	105612-MMD-KE-ZZ-DR-C-3450				Rev C01





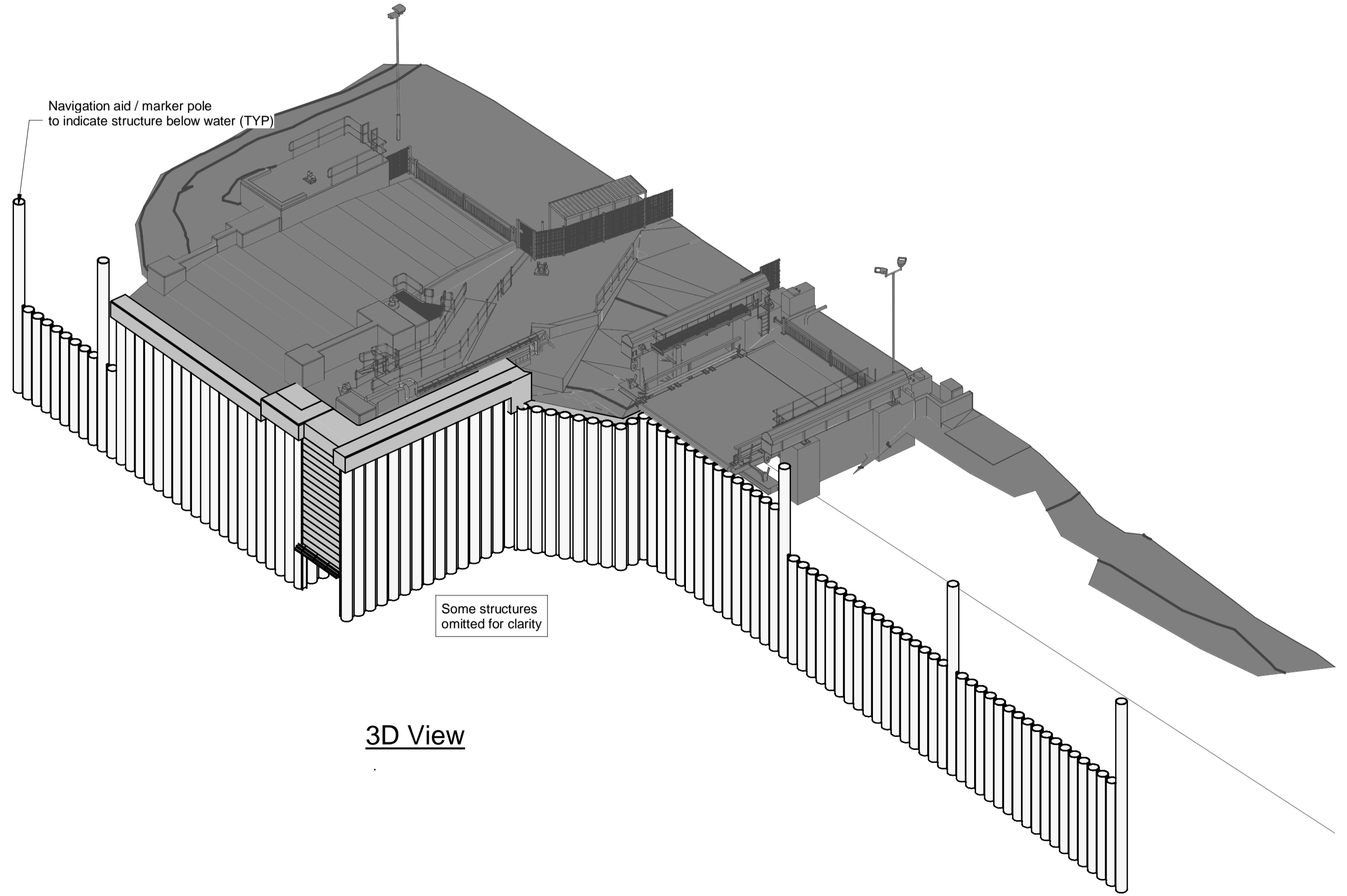
Plan
1 : 150

Section A
1 : 50



Key Plan
1 : 1250

SAFETY, HEALTH AND ENVIRONMENTAL INFORMATION	
	It is a requirement that only experienced and competent contractors carry out the work described, using a recognised safe method of working. The following are specific significant residual risks identified by the designer and are additional to those hazards/risks normally associated with this type of work.
CONSTRUCTION:	
HAZ01	Existing steep underwater slope - Contractor to ensure no negative effects on slope stability due to piling works
HAZ02	Close proximity to existing services
HAZ03	Possible existing underwater structures
HAZ04	Removal of existing Linkspan
HAZ05	Piles to be driven through existing bagwork
HAZ06	Orientation of H-piles within rock socket
OPERATIONS:	
HAZ07	Limited clearance between berthed vessel and structure
MAINTENANCE:	
N/A	
DEMOLITION:	
N/A	
FUTURE ANTICIPATED WORK:	
N/A	



3D View

- Notes**
- All chainages are in metres.
 - All dimensions in millimetres unless noted otherwise.
 - All levels in metres relative to Chart Datum (mCD) unless noted otherwise.
 - DO NOT SCALE. Follow written dimensions only.
 - The Client accepts no liability for the accuracy of the topographical & bathymetric information provided.
 - The Contractor shall verify all dimensions, elevations, coordinates, and site conditions prior to execution.
 - Dimensions followed by an asterisk are to be confirmed by the contractor on site.
 - Notes followed by + denote items that are to be in accordance with manufacturers recommendations.
 - For general notes refer to drawing 105612-MMD-(**)-ZZ-0011 (** denotes field 3 Volume or system varies per project site CO, KE & PA.

Key to symbols

Reference drawings

External Drawings:

Topographical Survey
Reference: A8287-CD
Date of Survey: 26.07.2022

Bathymetric Survey
Reference: A5390 2018-2019
Date of Survey: 22.11.2018

Kennacraig North Berth Wall Repair General Arrangement, Halcrow
Reference: DS - CFMC - 110 - 150 Rev C
Date: 2010

Kennacraig North Berth Wall Repair General Arrangement, Halcrow
Reference: DS - CFMC - 110 - 151 Rev B
Date: 2010

Reference Drawings:
105612-MMD-KE-ZZ-DR-C-4101 Low LevelWall A
105612-MMD-KE-ZZ-DR-C-4102 Low LevelWall B
105612-MMD-KE-ZZ-DR-C-4103 Low Level Walls C & D
105612-MMD-KE-ZZ-DR-C-4110 Walls A,B,C & D Construction Sequence

Rev	Date	Drawn	Description	Ch'k'd	App'd
C01	17.03.2023	CC	Tender Issue	BR	CO

TENDER

MOTT MACDONALD

Mott MacDonald
St Vincent Plaza
319 St Vincent Street
Glasgow, G2 5LD
United Kingdom

T +44 (0)141 222 4500
F +44 (0)141 221 2048
W mottmac.com

Client
Caledonian Maritime Assets Limited
Municipal Buildings
Fore Street
Port Glasgow
PA14 5EQ

Title
New Islay Vessel Port Enabling Works
Kennacraig
Low Level Wall General Arrangement
A,B,C,D1 & D2

Designed	M. Purvis	MP	Eng. Check	B. Radcliffe	
Drawn	G. Mather	GM	Coordination	G. Mather	GM
Dwg. Check			Approved	C. Ohi	CO
MMD Project Number	105612	Scale at A1	1:10,1:150	Security	STD
Suitability Description	Authorised and Accepted				Suit. Code A1
Drawing Number	105612-MMD-KE-ZZ-DR-C-4100				Rev C01



SOP 100
E 181799.051
N 662556.926

Length of wall TBC depending on encountered ground conditions to ensure adequate support to existing adjacent structures, e.g. revetments

Navigation aid / marker pole to indicate structure below water. Refer to typical detail on drawing 105612-MMD-KE-ZZ-DR-C-4100

Cathodic protection refer to note 13. (Typ)

A1
KE-ZZ-DR-C-4101

X
KE-ZZ-DR-C-4101

-5.0

Navigation aid / marker pole

Formwork as necessary to seal between existing and new structures. Contractor design.

B
KE-ZZ-DR-C-7140

A2
KE-ZZ-DR-C-4101

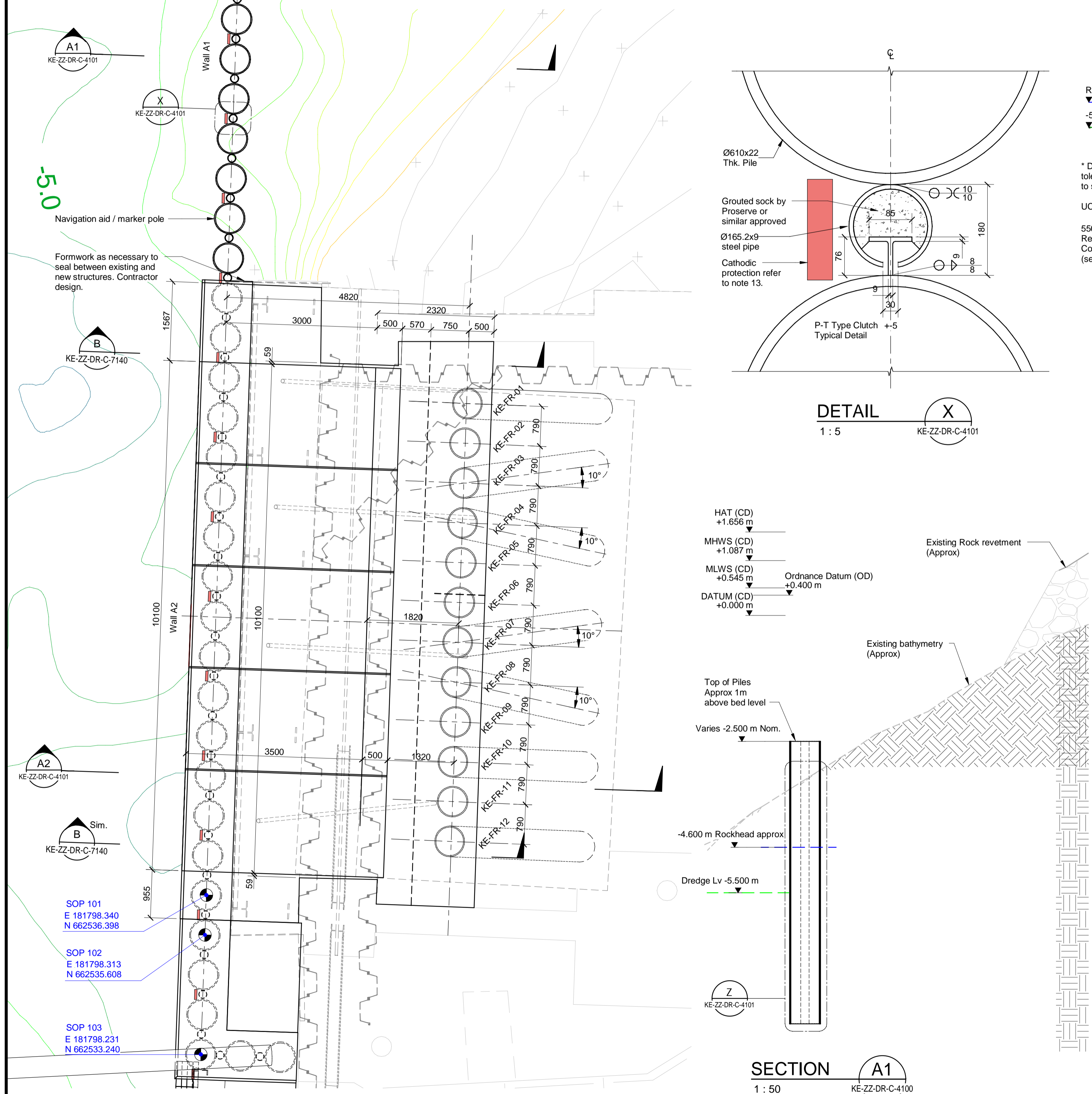
B Sim.
KE-ZZ-DR-C-7140

SOP 101
E 181798.340
N 662536.398

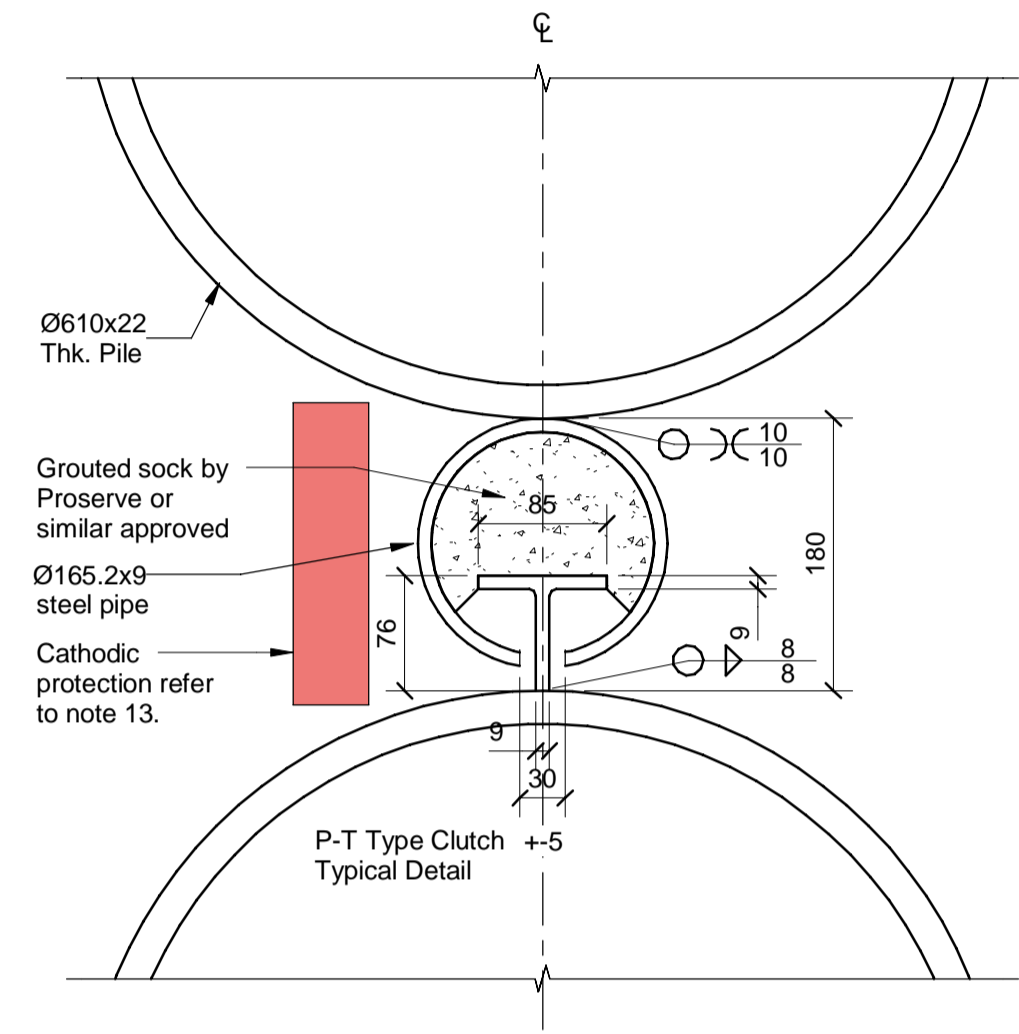
SOP 102
E 181798.313
N 662535.608

SOP 103
E 181798.231
N 662533.240

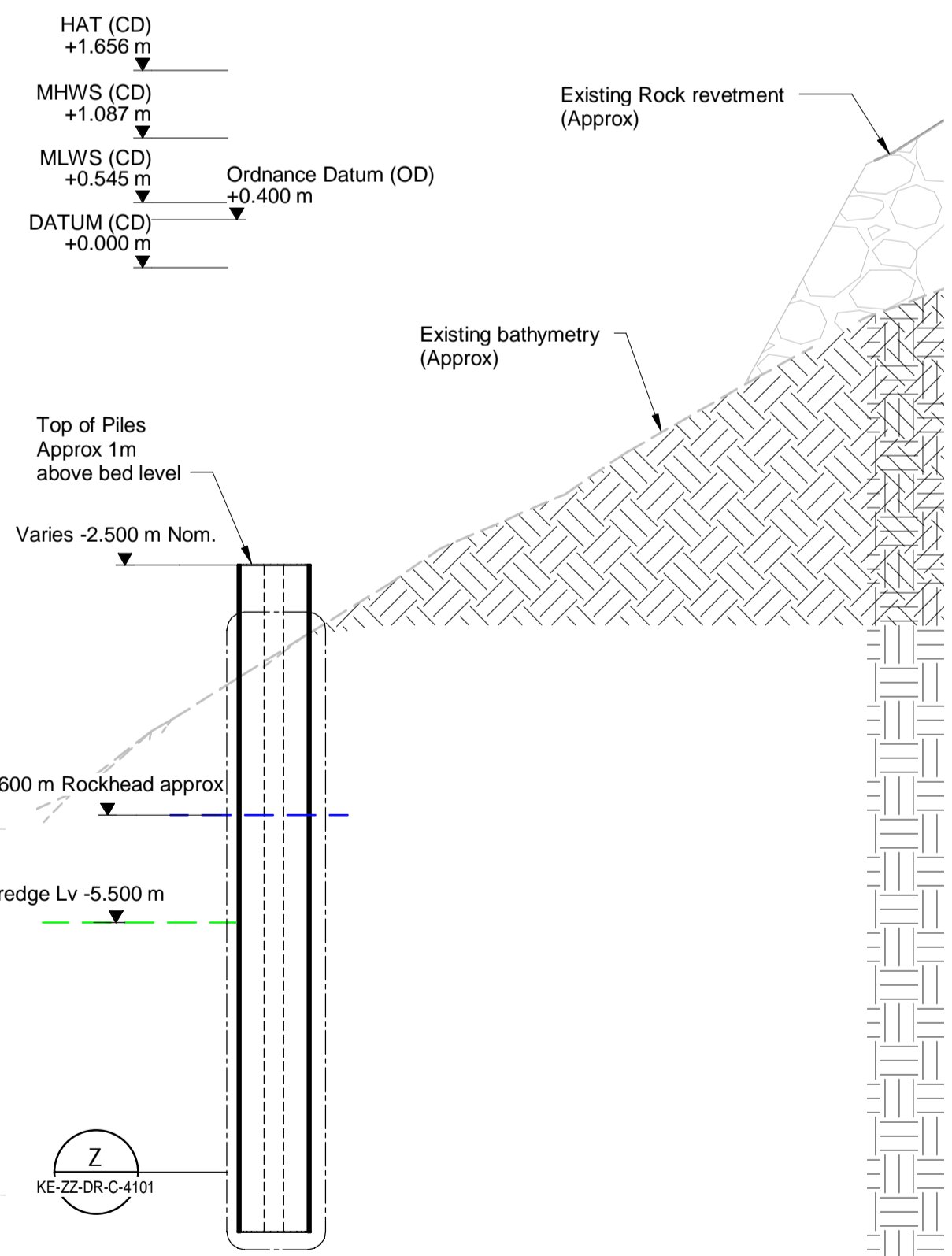
PILE SCHEDULE							
Pile Mark	Diameter mm	Inclination angle from vertical degrees	Toe Level mCD	Max Compression Load (SLS to BS EN 1992) kN	Max Compression Load (ULS to BS EN 1992) kN	Max Tension Load (SLS to BS EN 1992) kN	Max Tension Load (ULS to BS EN 1992) kN
KE-FR-01	610	14	TBC by contractor	1300	2000	1000	1500
KE-FR-02	610	0	TBC by contractor	1300	2000	1000	1500
KE-FR-03	610	14	TBC by contractor	1300	2000	1000	1500
KE-FR-04	610	14	TBC by contractor	1300	2000	1000	1500
KE-FR-05	610	0	TBC by contractor	1300	2000	1000	1500
KE-FR-06	610	0	TBC by contractor	1300	2000	1000	1500
KE-FR-07	610	14	TBC by contractor	1300	2000	1000	1500
KE-FR-08	610	14	TBC by contractor	1300	2000	1000	1500
KE-FR-09	610	0	TBC by contractor	1300	2000	1000	1500
KE-FR-10	610	14	TBC by contractor	1300	2000	1000	1500
KE-FR-11	610	0	TBC by contractor	1300	2000	1000	1500
KE-FR-12	610	14	TBC by contractor	1300	2000	1000	1500



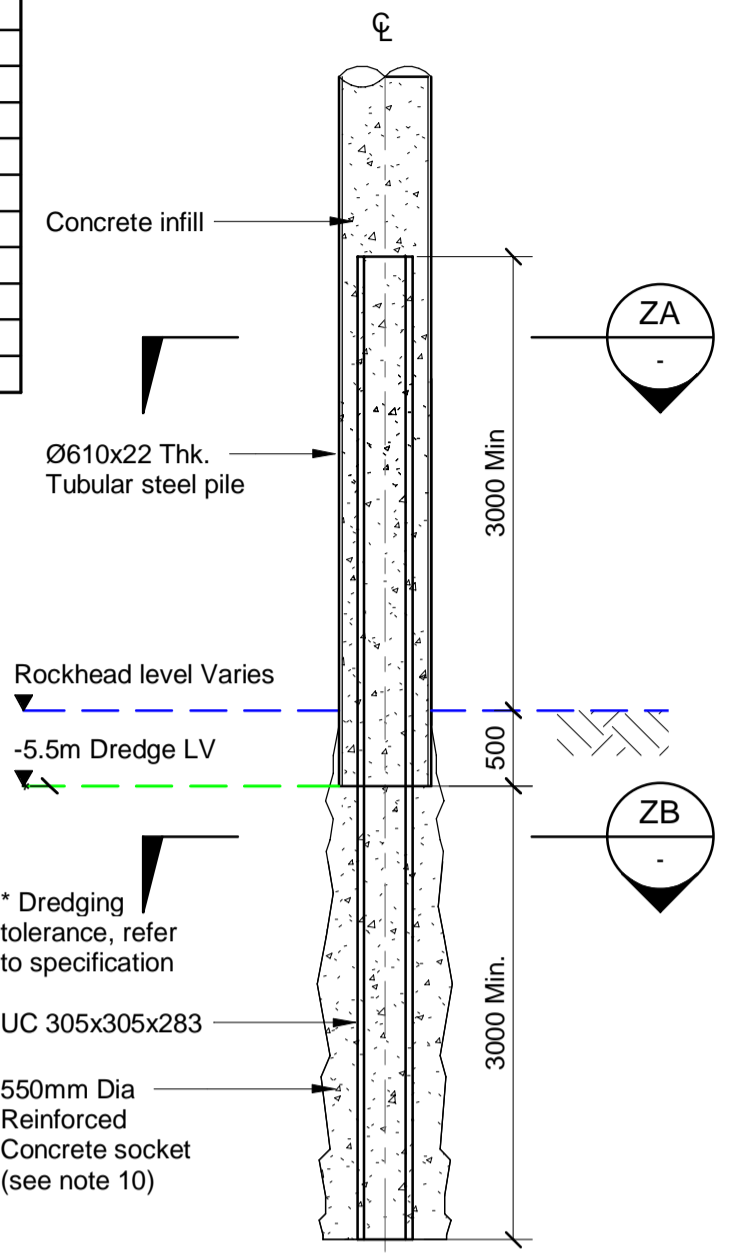
Plan
1 : 50



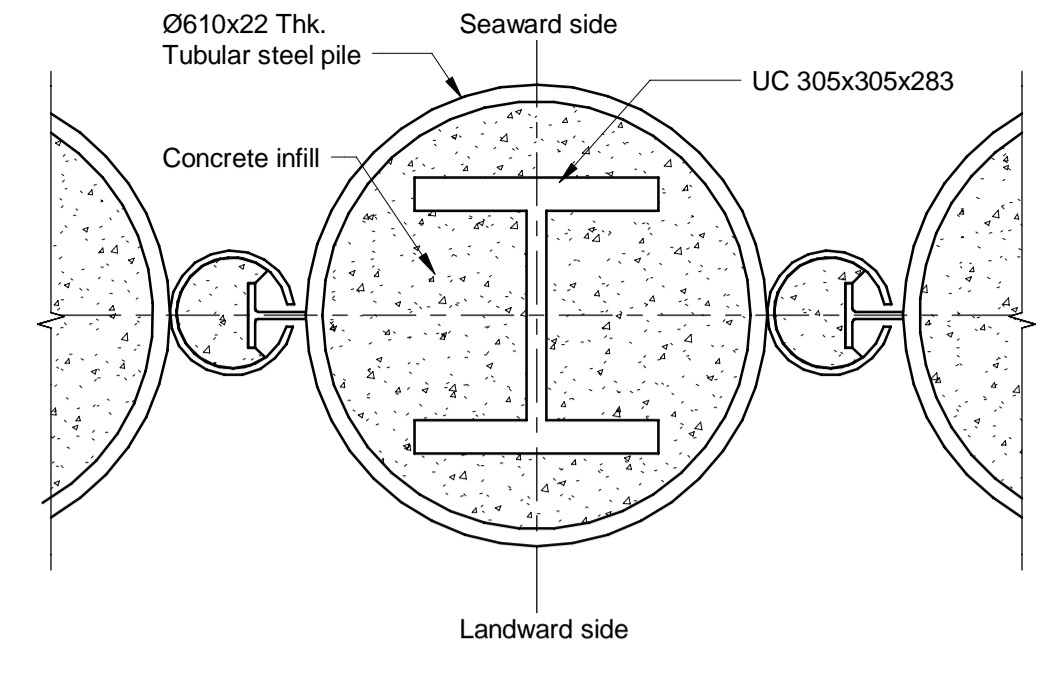
DETAIL X
1 : 5
KE-ZZ-DR-C-4101



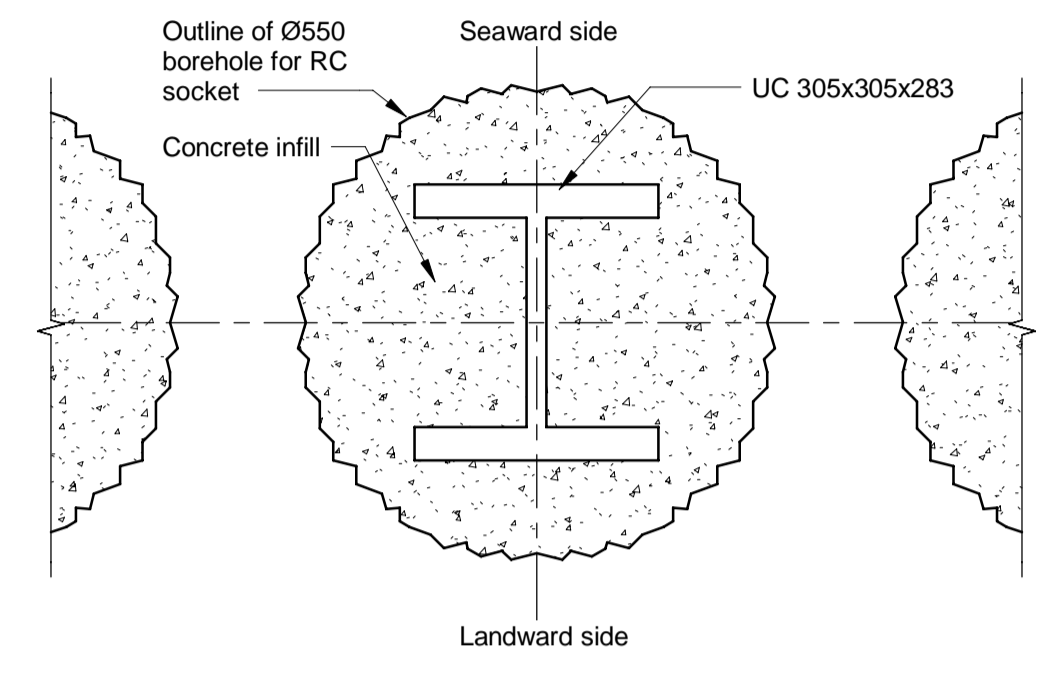
SECTION A1
1 : 50
KE-ZZ-DR-C-4101



DETAIL Z
1 : 50
KE-ZZ-DR-C-4101
Typical Toe Detail

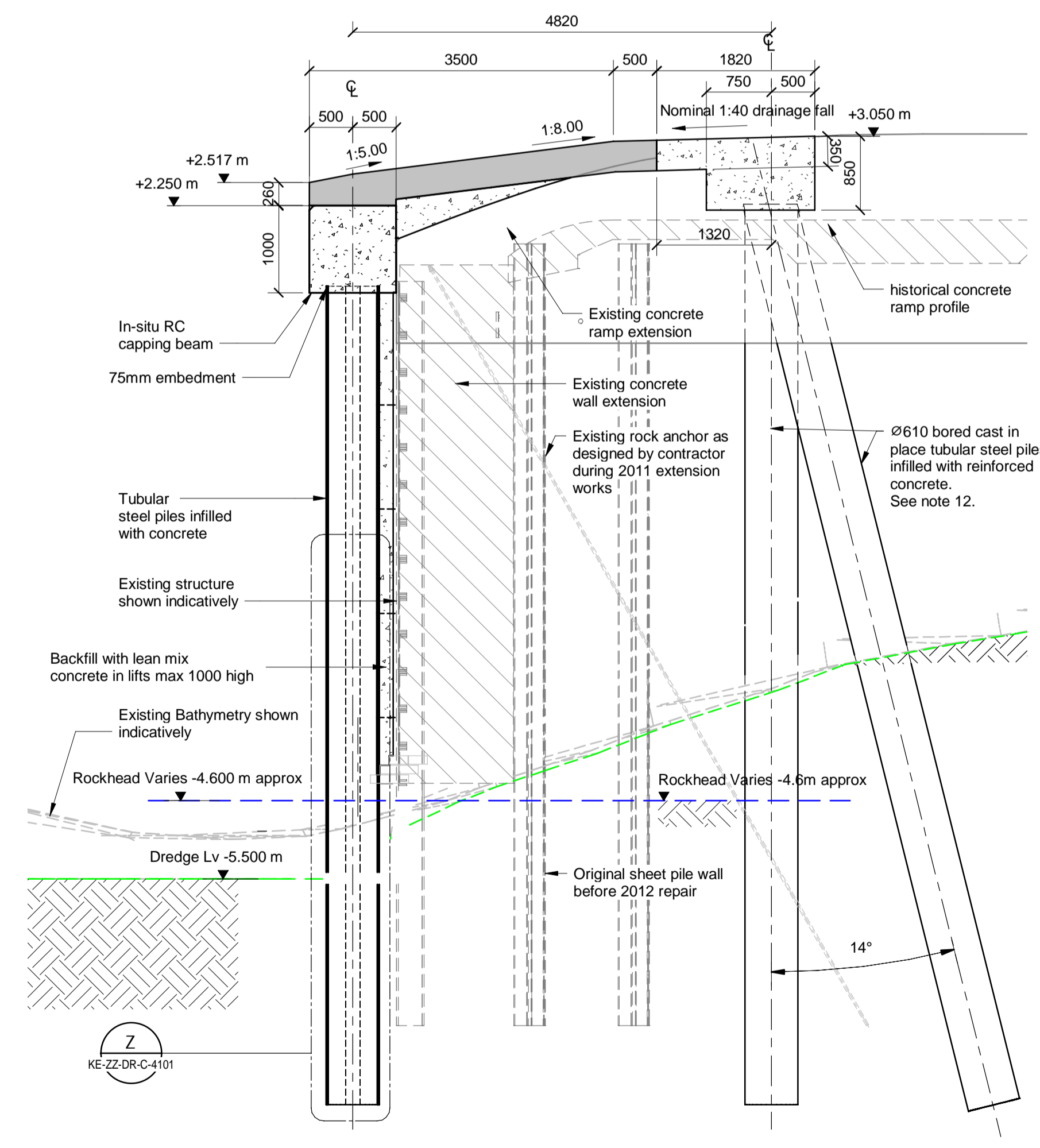


DETAIL - ZA

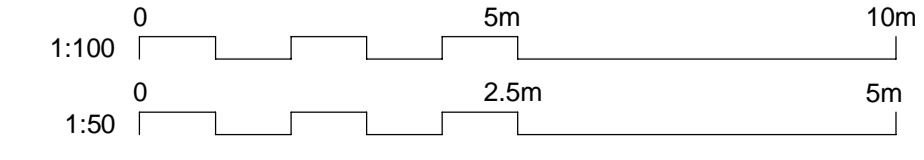


DETAIL - ZB

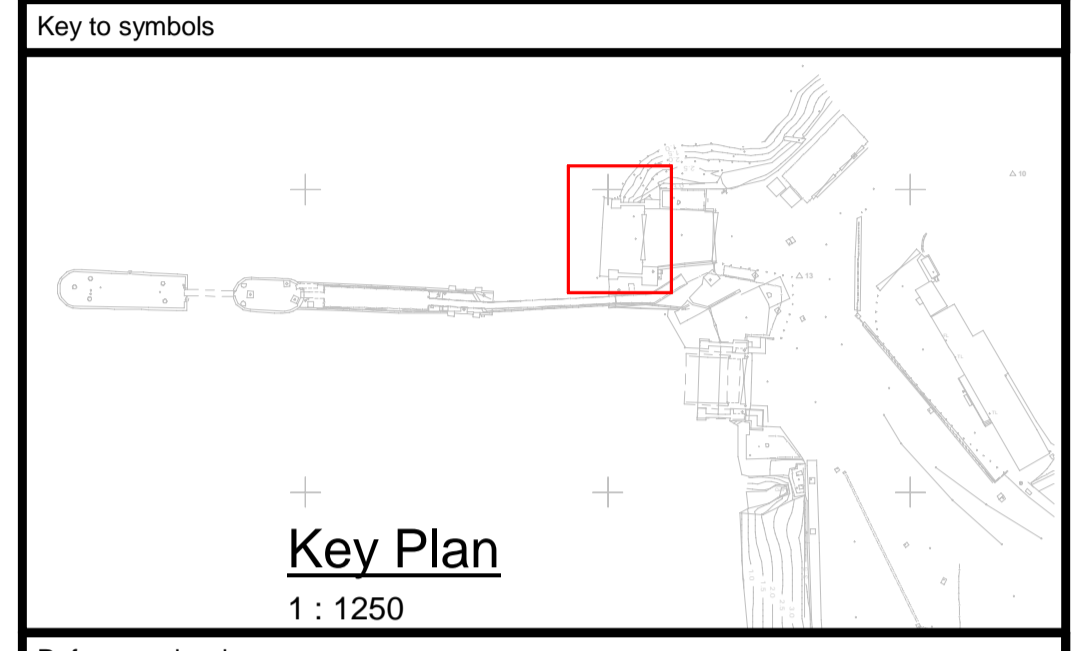
ZA & ZB ON DETAIL Z
1 : 10



SECTION A2
1 : 50
KE-ZZ-DR-C-4101



- Notes
- All chainages are in metres.
 - All dimensions in millimetres unless noted otherwise.
 - All levels in metres relative to Chart Datum (mCD) unless noted otherwise. DO NOT SCALE. Follow written dimensions only.
 - The Client accepts no liability for the accuracy of the topographical & bathymetric information provided.
 - The Contractor shall verify all dimensions, elevations, coordinates, and site conditions prior to execution.
 - Dimensions followed by an asterisk are to be confirmed by the contractor on site.
 - Notes followed by + denote items that are to be in accordance with manufacturers recommendations.
 - For general notes refer to drawing 105612-MMD-(**)-ZZ-0011
 - (**) denotes field 3 Volume or system varies per project site PA, PE, CO & KE Reinforced concrete socket drilled and grouted minimum 3m length into competent bedrock. The final anchor socket toe level for each pile shall be confirmed and approved on site by a qualified and experienced Geotechnical Engineer appointed by the Contractor.
 - The Contractor shall ensure that their drilling equipment can penetrate any type of rock expected at the site.
 - Piles KE-FR-01 to KE-FR-12 including pile toe details shall be Contractor designed elements. See Pile Schedule for Design Loads.
 - Cathodic protection to protect all piles and not protrude beyond seaward face of 610 diameter steel tubes.



Reference drawings

External Drawings:

Topographical Survey
Reference: A8287-CD
Date of Survey: 26.07.2022

Bathymetric Survey
Reference: A5390 2018-2019
Date of Survey: 22.11.2018

Kennacraig North Berth Wall Repair General Arrangement, Halcrow
Reference: DS - CFMC - 110 - 150 Rev C
Date: 2010

Kennacraig North Berth Wall Repair General Arrangement, Halcrow
Reference: DS - CFMC - 110 - 151 Rev B
Date: 2010

Reference Drawings:
105612-MMD-KE-ZZ-DR-C-4100 Low Level Wall General Arrangement
105612-MMD-KE-ZZ-DR-C-4102 Low Level Wall B
105612-MMD-KE-ZZ-DR-C-4103 Low Level Walls C & D
105612-MMD-KE-ZZ-DR-C-4110 Walls A, B, C & D Construction Sequence
105612-MMD-KE-ZZ-DR-C-7140 Fixed Ramp RC Details

Rev	Date	Drawn	CC	Tender Issue	Description	BR	CO
C01	17.03.2023						

Status Stamp

TENDER

**MOTT
MACDONALD**

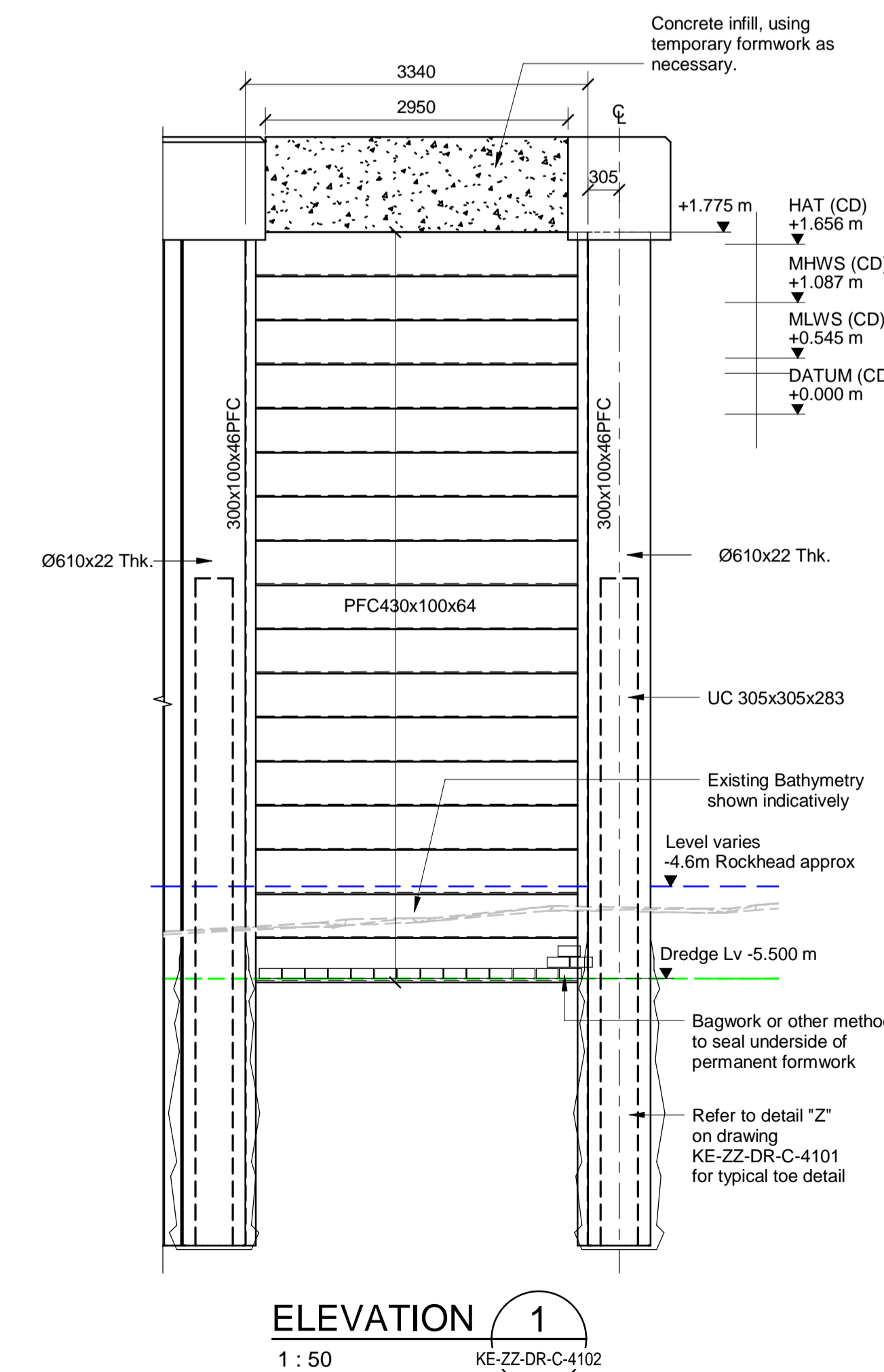
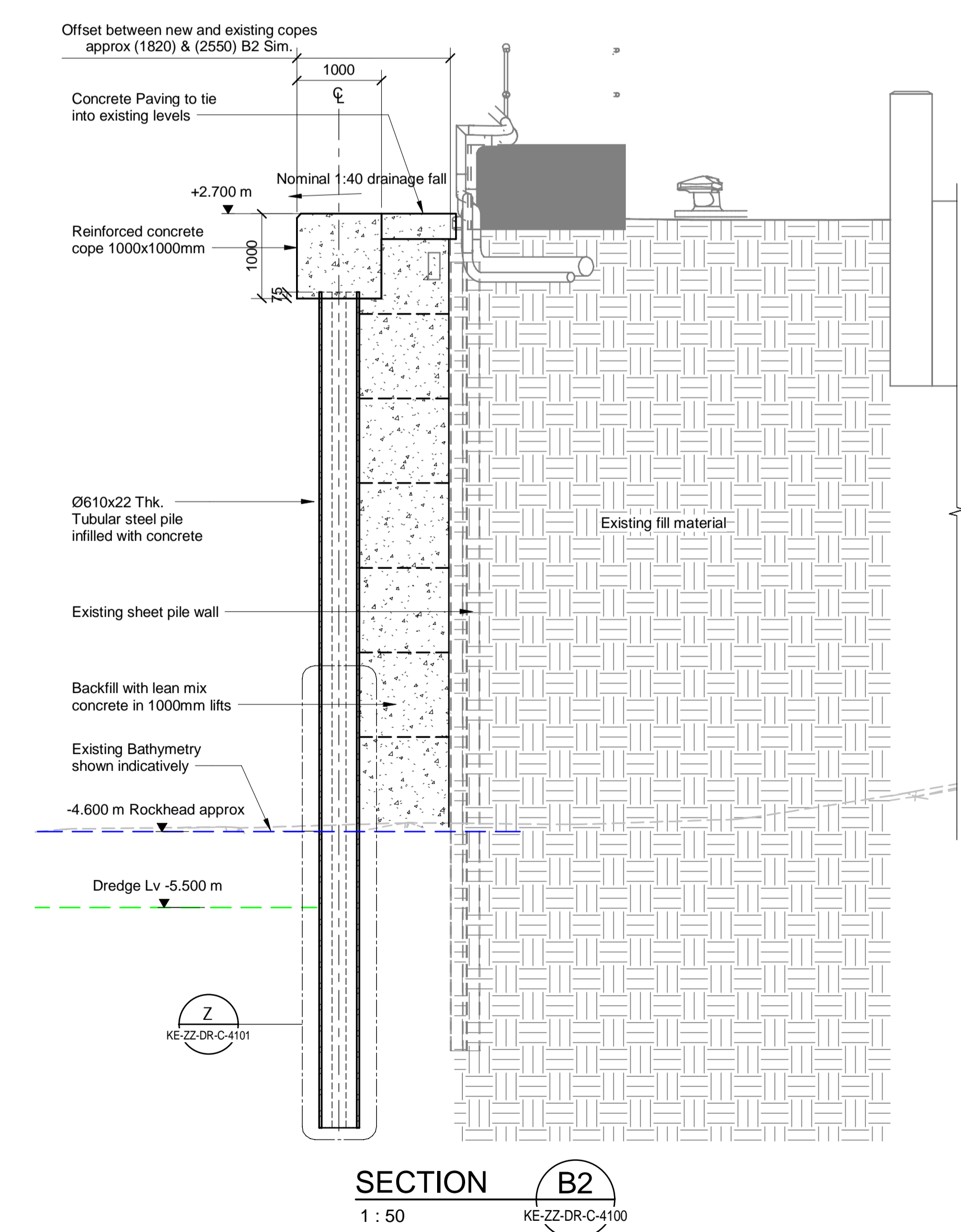
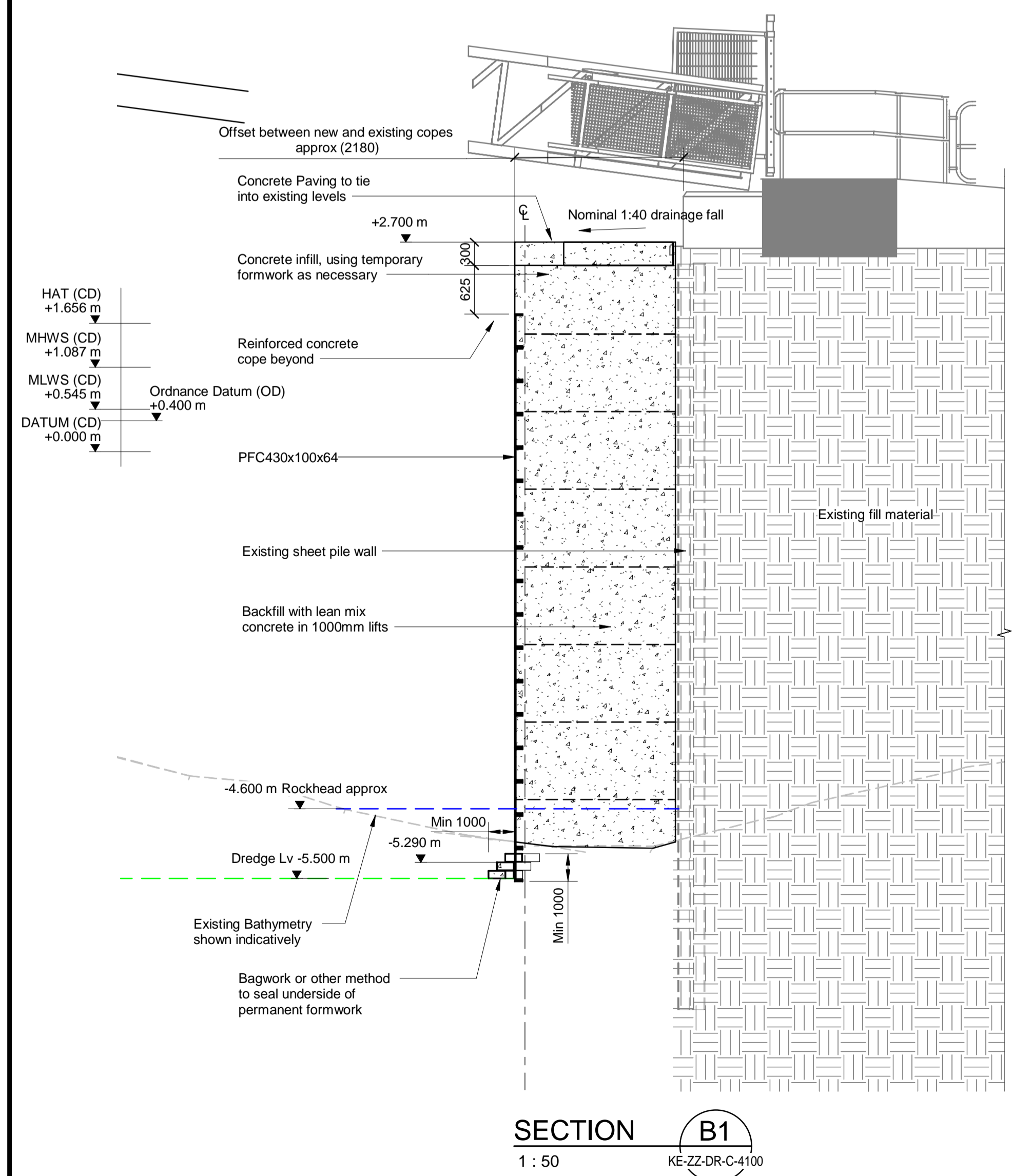
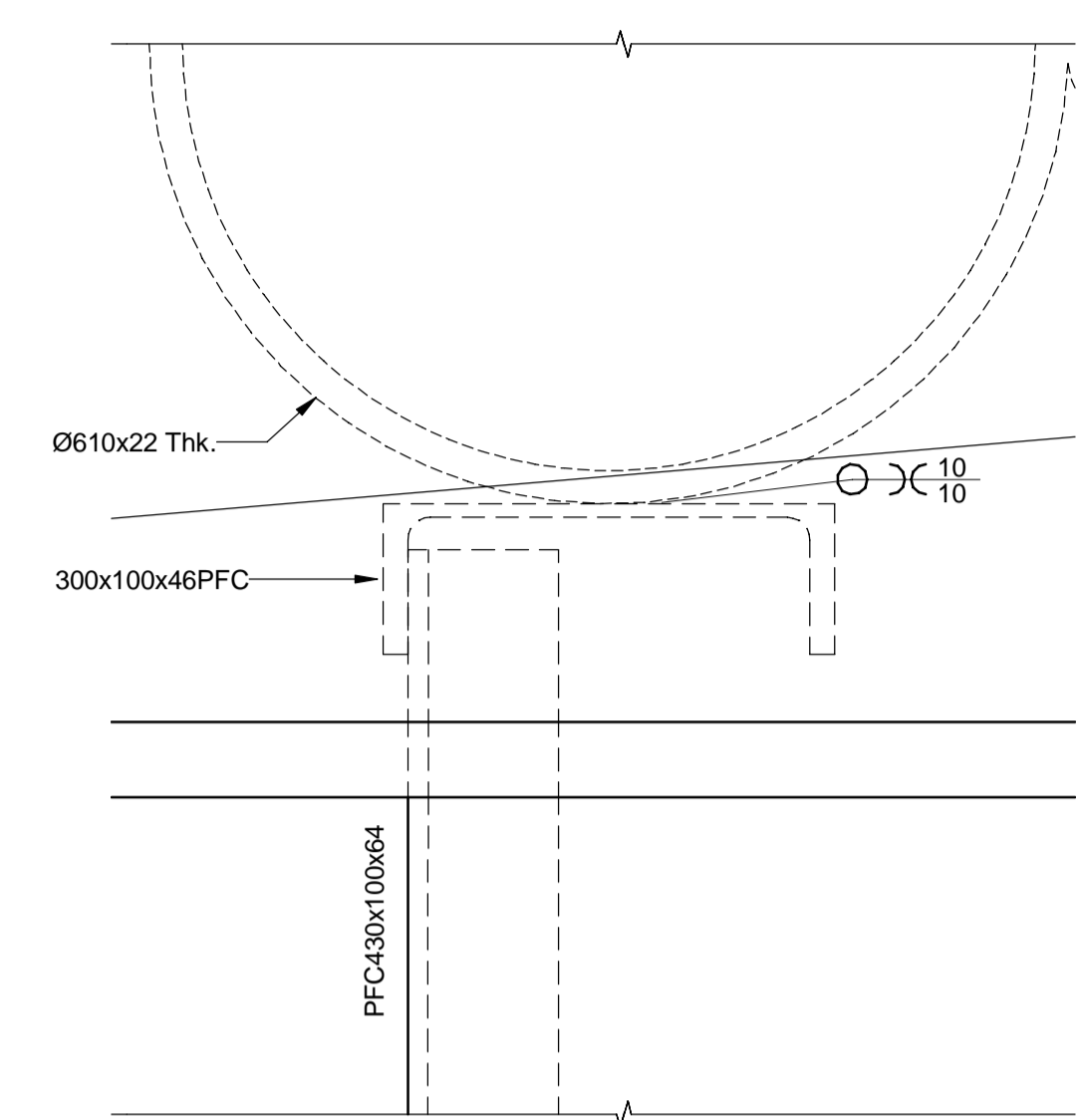
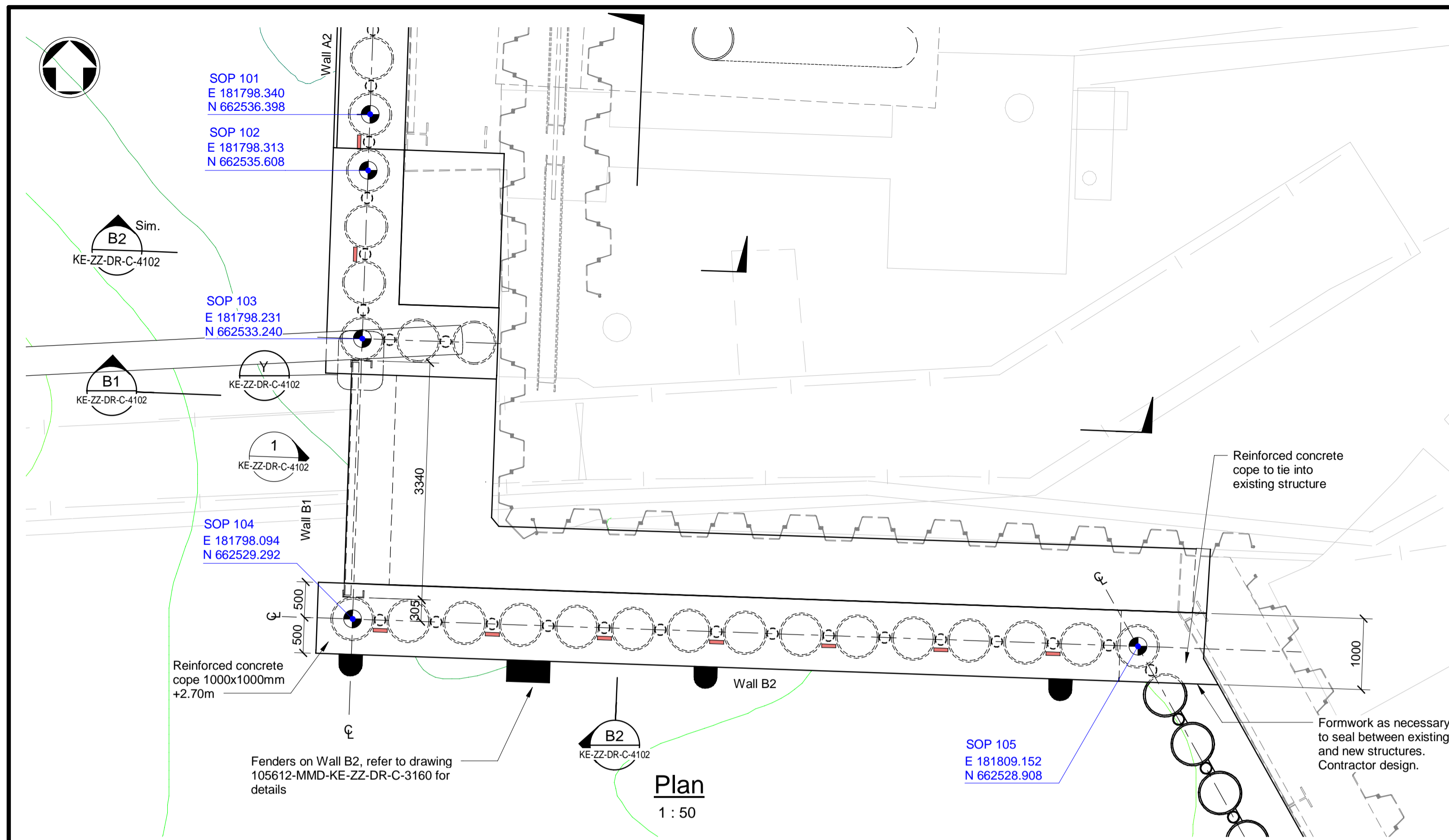
Mott MacDonald
St Vincent Plaza
319 St Vincent Street
Glasgow, G2 5LD
United Kingdom

T +44 (0)141 222 4500
F +44 (0)141 221 2048
W mottmac.com

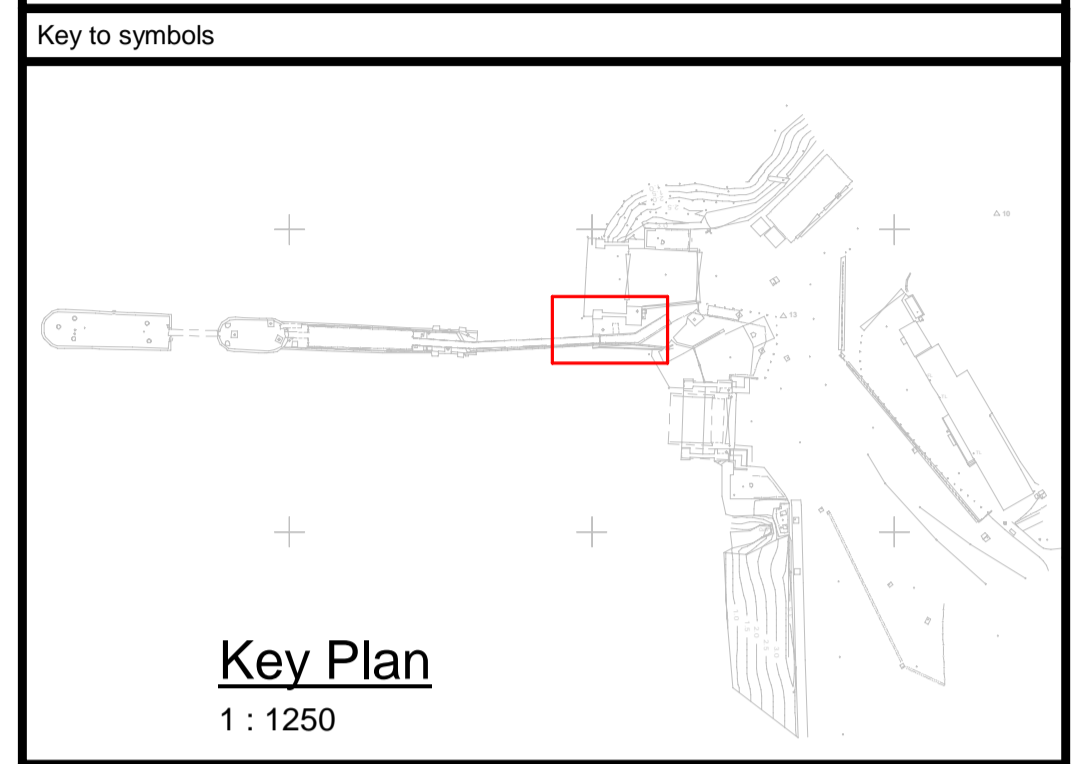
Client
Caledonian Maritime Assets Limited
Municipal Buildings
Fore Street
Port Glasgow
PA14 5EQ

Title
New Islay Vessel Port Enabling Works
Kennacraig
Low Level Wall A

Designed	M. Purvis	MP	Eng. Check	B. Radcliffe	BR
Drawn	G. Mather	GM	Coordination	G. Mather	GM
Dwg. Check	B. Radcliffe	BR	Approved	C. Ohi	CO
MMD Project Number	105612	Scale at A1		Security	STD
Suitability Description				Suit. Code	
Authorised and Accepted				A1	
Drawing Number				Rev	
105612-MMD-KE-ZZ-DR-C-4101				C01	



- Notes**
- All chainages are in metres.
 - All dimensions in millimetres unless noted otherwise.
 - All levels in metres relative to Chart Datum (mCD) unless noted otherwise.
 - DO NOT SCALE. Follow written dimensions only.
 - The Client accepts no liability for the accuracy of the topographical & bathymetric information provided.
 - The Contractor shall verify all dimensions, elevations, coordinates, and site conditions prior to execution.
 - Dimensions followed by an asterisk are to be confirmed by the contractor on site.
 - Notes followed by + denote items that are to be in accordance with manufacturers recommendations.
 - For general notes refer to drawing 105612-MMD-(**)-ZZ-0011 (** denotes field 3 Volume or system varies per project site CO, KE & PA.



Reference drawings

External Drawings:

Topographical Survey
Reference: A8287-CD
Date of Survey: 26.07.2022

Bathymetric Survey
Reference: A5390 2018-2019
Date of Survey: 22.11.2018

Kennacraig North Berth Wall Repair General Arrangement, Halcrow
Reference: DS - CFMC - 110 - 150 Rev C
Date: 2010

Kennacraig North Berth Wall Repair General Arrangement, Halcrow
Reference: DS - CFMC - 110 - 151 Rev B
Date: 2010

Reference Drawings:
105612-MMD-KE-ZZ-DR-C-4100 Low Level Wall General Arrangement
105612-MMD-KE-ZZ-DR-C-4101 Low Level Wall A
105612-MMD-KE-ZZ-DR-C-4103 Low Level Walls C & D
105612-MMD-KE-ZZ-DR-C-4110 Walls A,B,C & D Construction Sequence

Rev	Date	Drawn	Description	Ch'kd	App'd
C01	17.03.2023	CC	Tender Issue	BR	CO

TENDER

MOTT MACDONALD

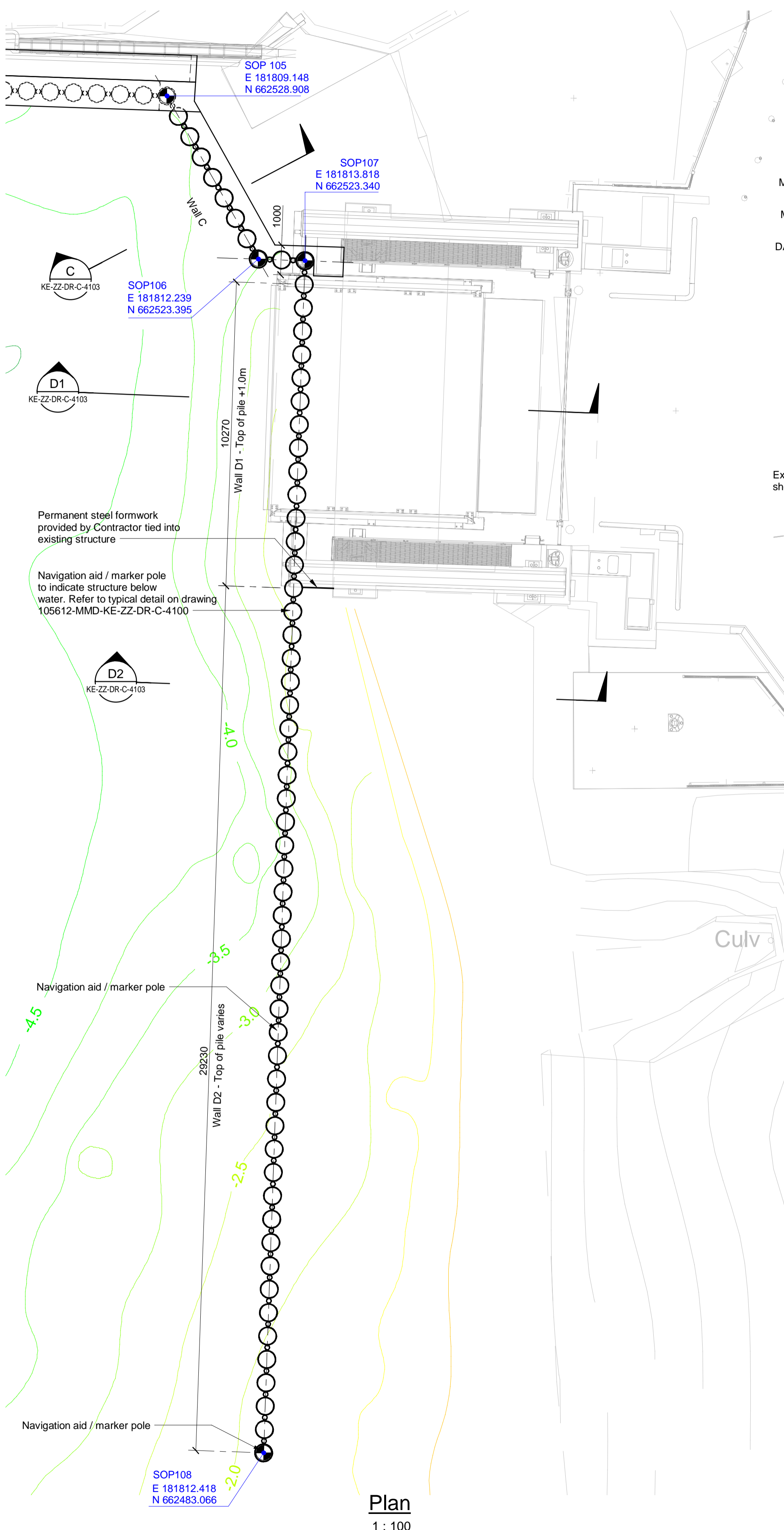
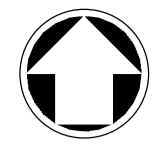
Mott MacDonald
St Vincent Plaza
319 St Vincent Street
Glasgow, G2 5LD
United Kingdom

T +44 (0)141 222 4500
F +44 (0)141 221 2048
W mottmac.com

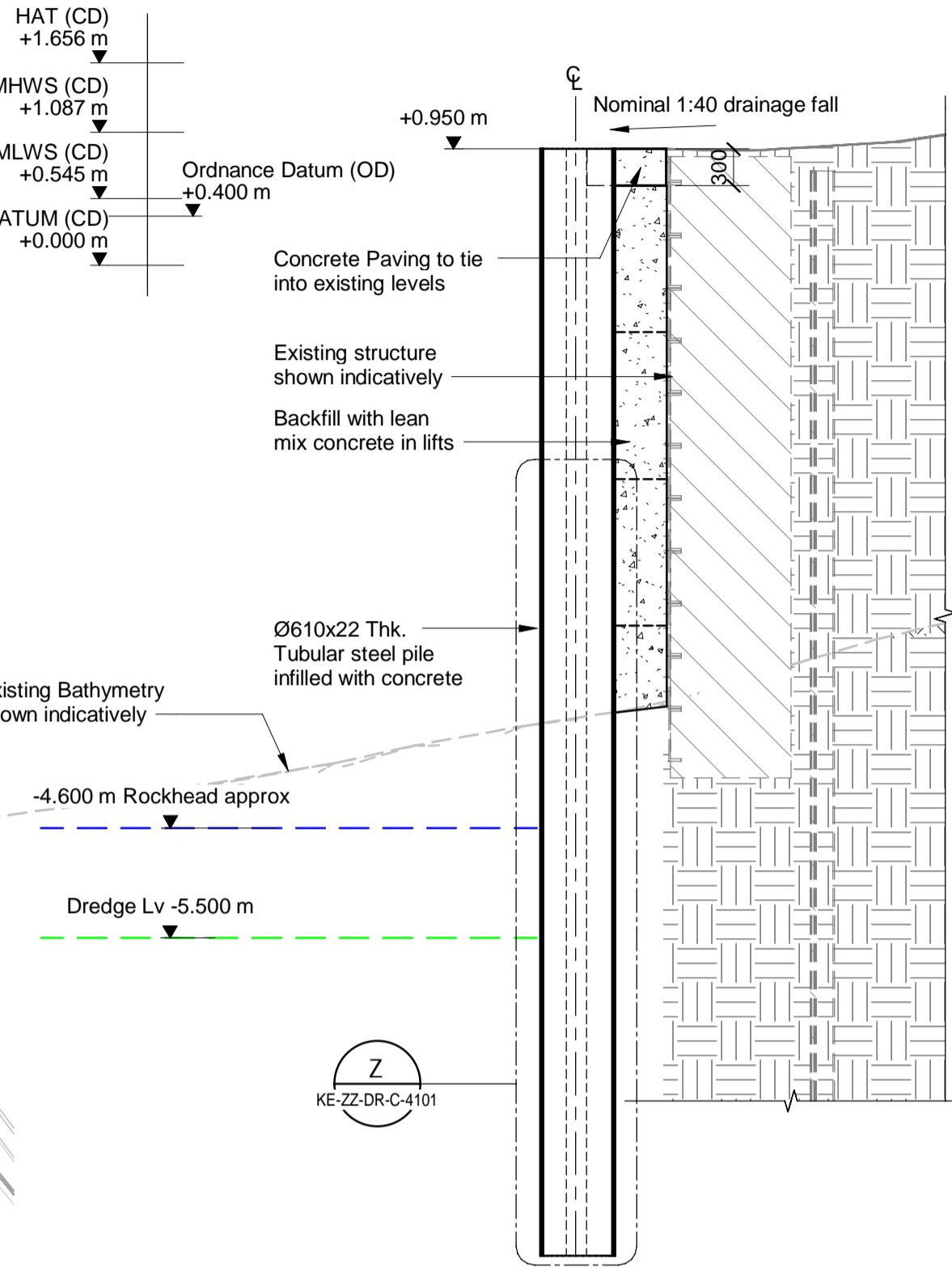
Client
Caledonian Maritime Assets Limited
Municipal Buildings
Fore Street
Port Glasgow
PA14 5EQ

Title
New Islay Vessel Port Enabling Works
Kennacraig
Low Level Wall B

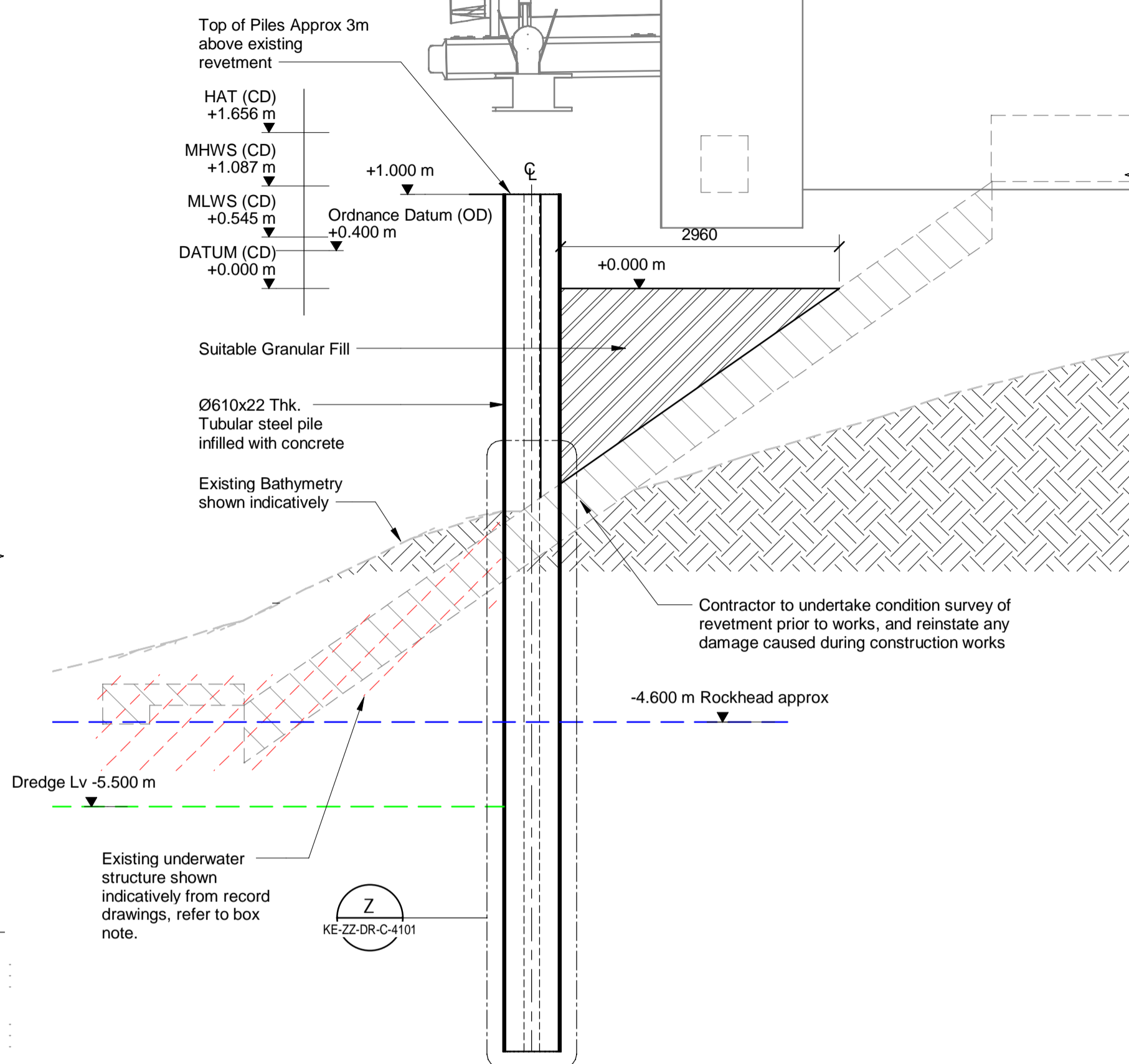
Designed	M. Purvis	MP	Eng. Check	B. Radcliffe	BR
Drawn	G. Mather	GM	Coordination	G. Mather	GM
Dwg. Check	B. Radcliffe	BR	Approved	C. Ohi	CO
MMD Project Number	105612	Scale at A1	1:50, 1:100	Security	STD
Suitability Description	Authorised and Accepted			Suit. Code	A1
Drawing Number	105612-MMD-KE-ZZ-DR-C-4102			Rev	C01



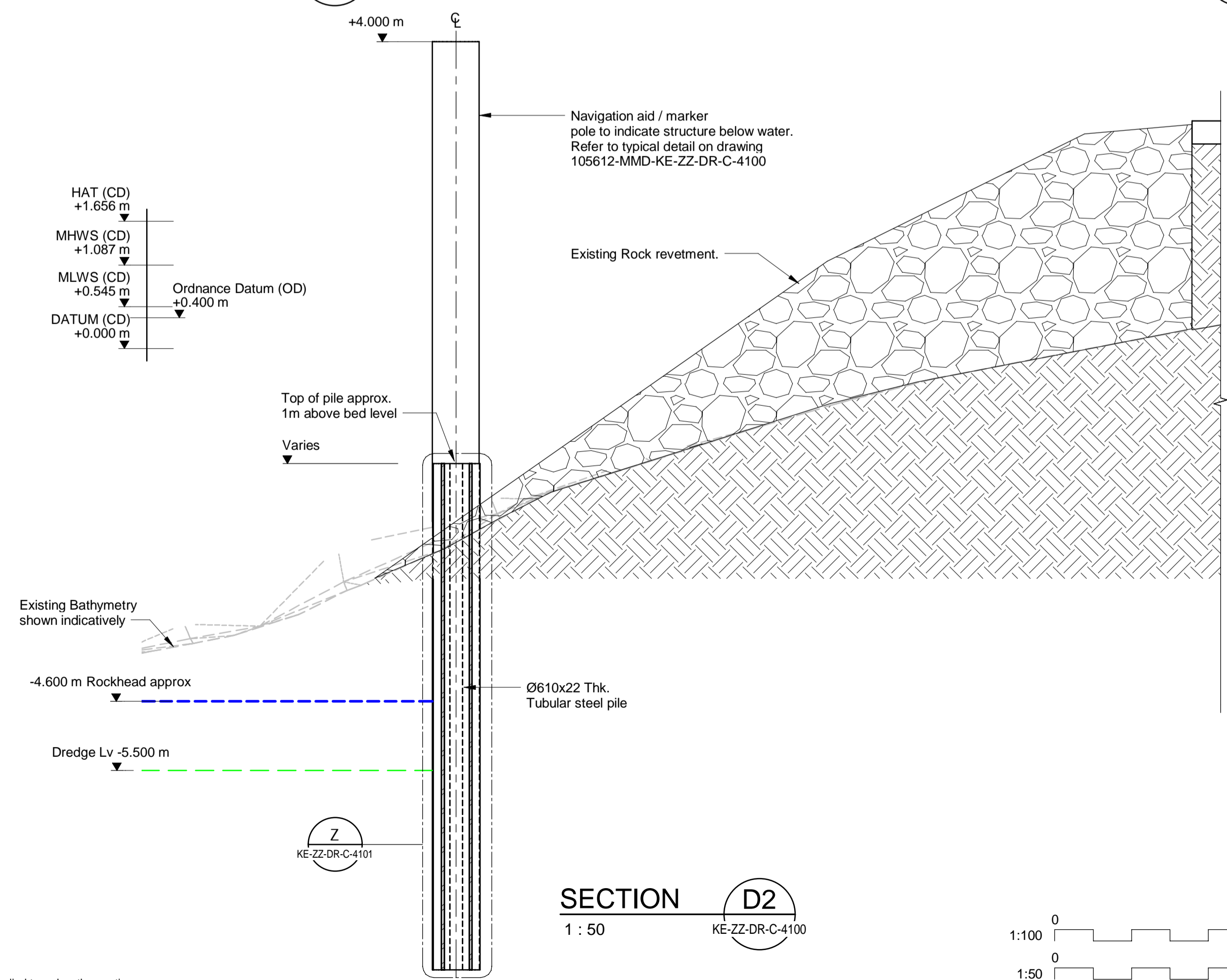
Plan
1 : 100



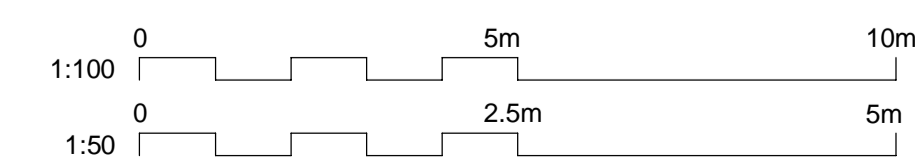
SECTION C
1 : 50
KE-ZZ-DR-C-4100



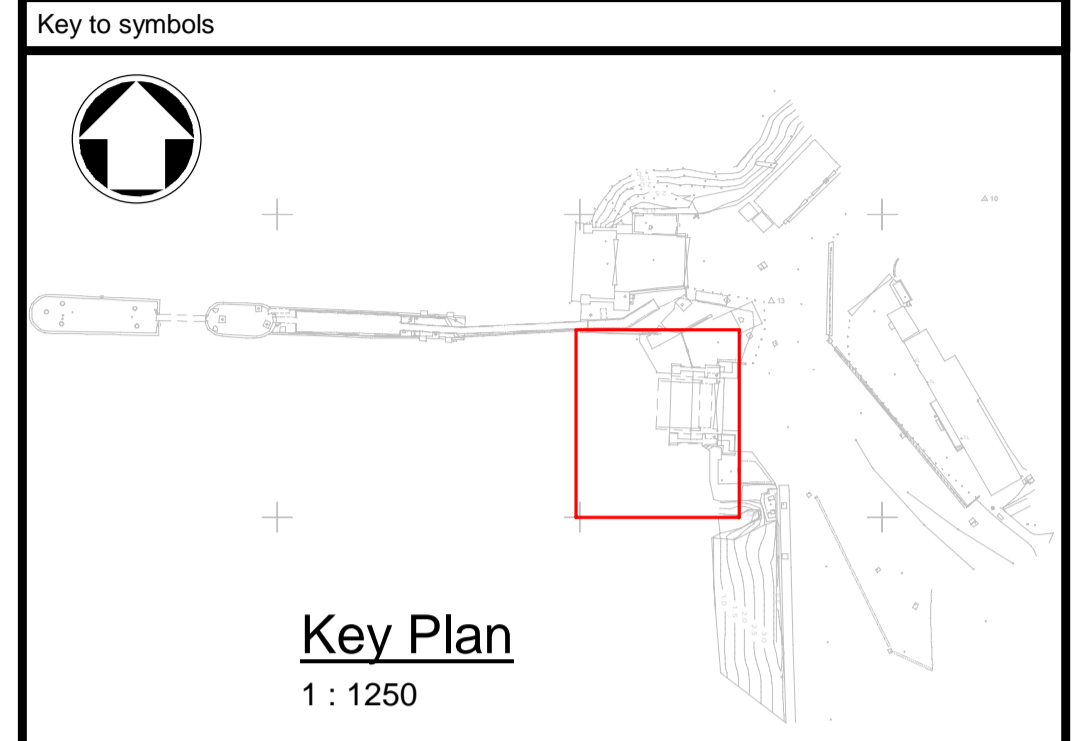
SECTION D1
1 : 50
KE-ZZ-DR-C-4100



SECTION D2
1 : 50
KE-ZZ-DR-C-4100



- Notes**
- All chainages are in metres.
 - All dimensions in millimetres unless noted otherwise.
 - All levels in metres relative to Chart Datum (mCD) unless noted otherwise.
 - DO NOT SCALE. Follow written dimensions only.
 - The Client accepts no liability for the accuracy of the topographical & bathymetric information provided.
 - The Contractor shall verify all dimensions, elevations, coordinates, and site conditions prior to execution.
 - Dimensions followed by an asterisk are to be confirmed by the contractor on site.
 - Notes followed by + denote items that are to be in accordance with manufacturers recommendations.
 - For general notes refer to drawing 105612-MMD-(*)-ZZ-0011
 - (**) denotes field 3 Volume or system varies per project site CO, KE & PA.



- Reference drawings**
- External Drawings:**
- Topographical Survey
Reference: A8287-CD
Date of Survey: 26.07.2022
- Bathymetric Survey
Reference: A5390 2018-2019
Date of Survey: 22.11.2018
- Kennacraig North Berth Wall Repair General Arrangement, Halcrow
Reference: DS - CFMC - 110 - 150 Rev C
Date: 2010
- Kennacraig North Berth Wall Repair General Arrangement, Halcrow
Reference: DS - CFMC - 110 - 151 Rev B
Date: 2010
- Reference Drawings:
105612-MMD-KE-ZZ-DR-C-4100 Low Level Wall General Arrangement
105612-MMD-KE-ZZ-DR-C-4101 Low Level Wall A
105612-MMD-KE-ZZ-DR-C-4102 Low Level Wall B
105612-MMD-KE-ZZ-DR-C-4110 Walls A,B,C & D Construction Sequence
- Note:**
Existing underwater structures are shown indicatively based on historic drawings (dwg. no. 11650 92 02 06 by Crouch, Hogg, Waterman, 1992).

Rev	Date	Drawn	Description	Ch'k'd	App'd
C01	17.03.2023	CC	Tender Issue	BR	CO

TENDER

MOTT MACDONALD

Mott MacDonald
St Vincent Plaza
319 St Vincent Street
Glasgow, G2 5LD
United Kingdom

T +44 (0)141 222 4500
F +44 (0)141 221 2048
W mottmac.com

Client
Caledonian Maritime Assets Limited
Municipal Buildings
Fore Street
Port Glasgow
PA14 5EQ

Title
New Islay Vessel Port Enabling Works
Kennacraig
Low Level Walls C & D

Designed	M. Purvis	MP	Eng. Check	B. Radcliffe	BR
Drawn	G. Mather	GM	Coordination	G. Mather	GM
Dwg. Check	B. Radcliffe	BR	Approved	C. Ohi	CO
MMD Project Number	105612	Scale at A1	1:50, 1:100	Security	STD
Suitability Description	Authorised and Accepted				Suit. Code
Drawing Number	105612-MMD-KE-ZZ-DR-C-4103				Rev
					C01

Construction Sequence	
1.	Installation of piles.
2.	Installation of infill PFC sections (Wall B1 only).
3.	Installation of temporary works to support concrete infill as necessary.
4.	Backfill between piles and existing quay wall with lean mix concrete in lifts max 1000 high.
5.	Reinforced concrete works - Capping beam / Fixed Ramp.
6.	Dredging to final level.
7.	Installation of cathodic protection, quay furniture e.g. fenders.
8.	Paving and finishing.

- Notes
- All chainages are in metres.
 - All dimensions in millimetres unless noted otherwise.
 - All levels in metres relative to Chart Datum (mCD) unless noted otherwise.
 - DO NOT SCALE. Follow written dimensions only.
 - The Client accepts no liability for the accuracy of the topographical & bathymetrical information provided
 - The Contractor shall verify all dimensions, elevations, coordinates, and site conditions prior to execution.
 - Dimensions followed by an asterisks are to be confirmed by the contractor on site.
 - Notes followed by + denote items that are to be in accordance with manufacturers recommendations.
 - For general notes refer to drawing 105612-MMD-(")-ZZ-0011 ("") denotes field 3 Volume or system varies per project site CO, KE & PA.
 - Contractor shall follow construction sequence as outlined on drawing 105612-MMD-KE-DR-C-1020.

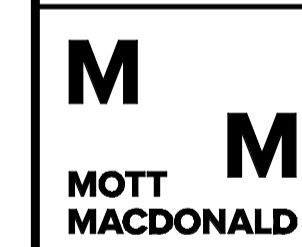
Key to symbols

- Reference drawings
- 105612-MMD-KE-DR-C-1020
 - 105612-MMD-KE-DR-C-0270

Rev	Date	Drawn	Description	Ch'k'd	App'd
C01	17.03.2023	CC	Tender Issue	BR	CO

Status Stamp

TENDER

	<p>Mott MacDonald St Vincent Plaza 319 St Vincent Street Glasgow, G2 5LD United Kingdom</p> <p>T +44 (0)141 222 4500 F +44 (0)141 221 2048 W mottmac.com</p>
---	--

Client

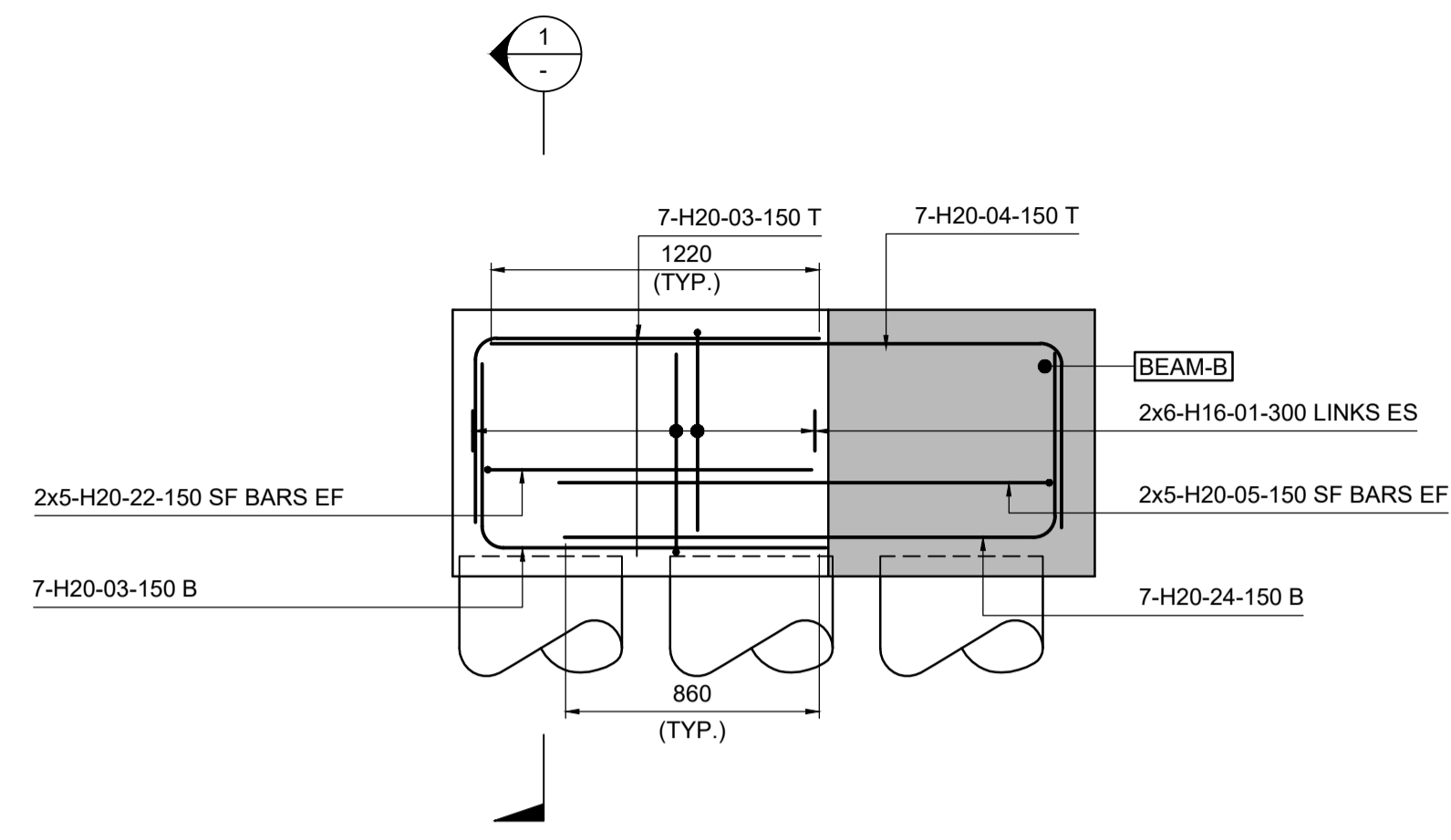
Caledonian Maritime Assets Limited
Municipal Buildings
Fore Street
Port Glasgow
PA14 5EQ



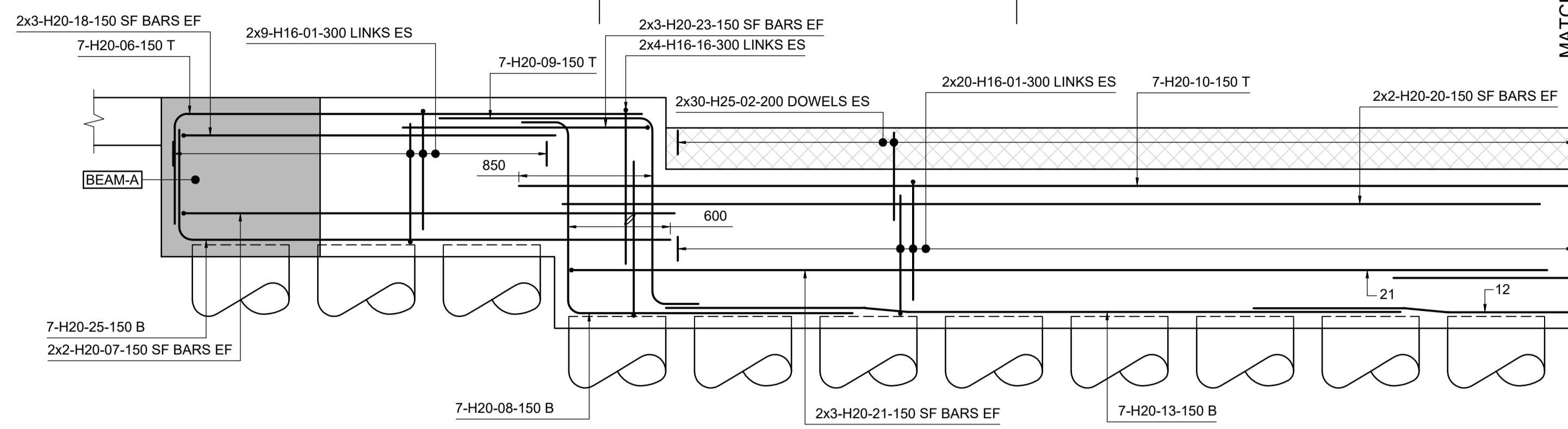
Title

**New Islay Vessel Port Enabling Works
Kennacraig
Quay Walls
Typical Construction Sequence**

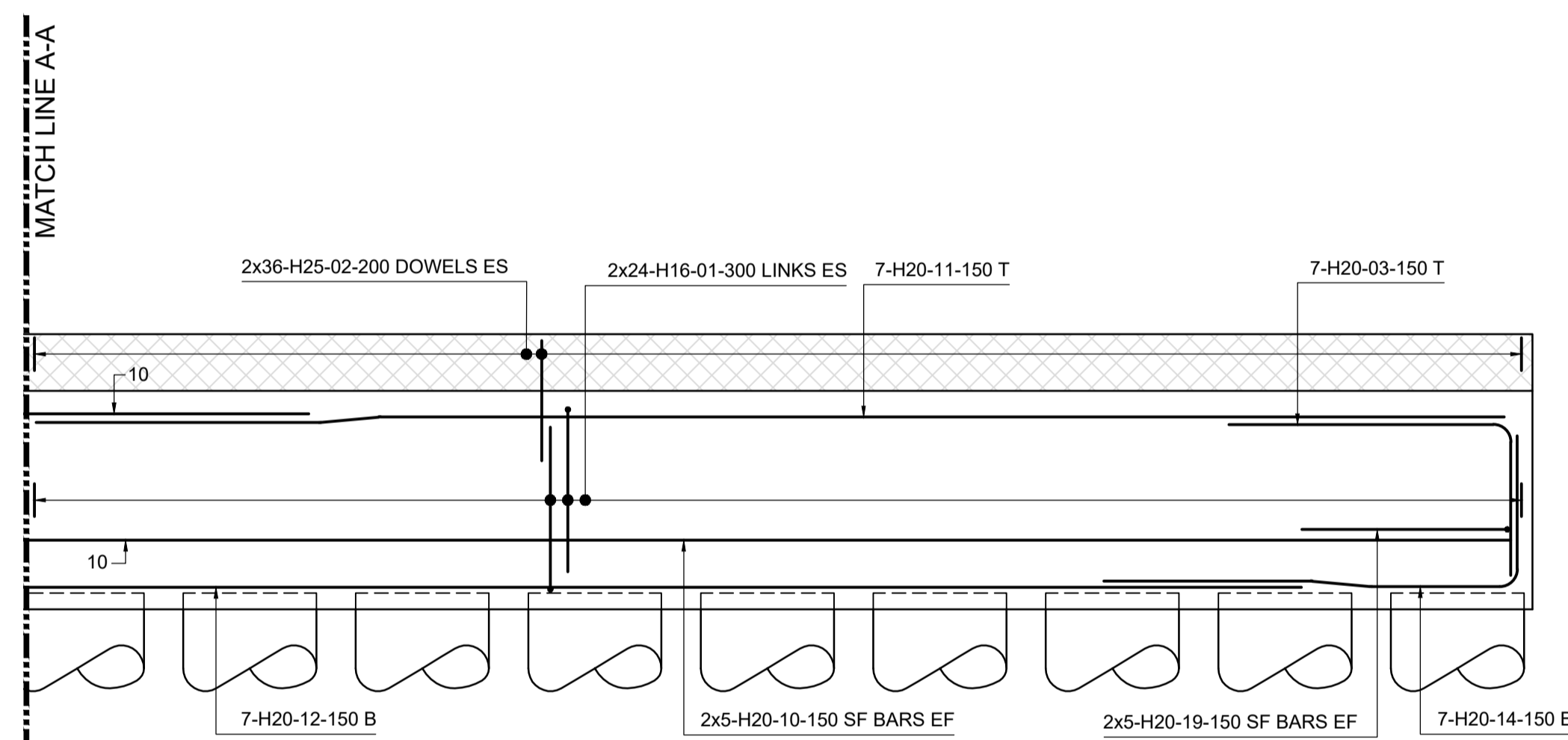
Designed	M. Purvis	MP	Eng. Check	B. Radcliffe	BR
Drawn	G. Mather	GM	Coordination	G. Mather	GM
Dwg. Check	B. Radcliffe	BR	Approved	C. Ohi	CO
MMD Project Number	105612	Scale at A1	NTS	Security	STD
Suitability Description	Authorised and Accepted				Suit. Code A1
Drawing Number	105612-MMD-KE-ZZ-DR-C-4110				Rev C01



(1000 W x 1000 Dp)
BEAM-A
SCALE 1:25



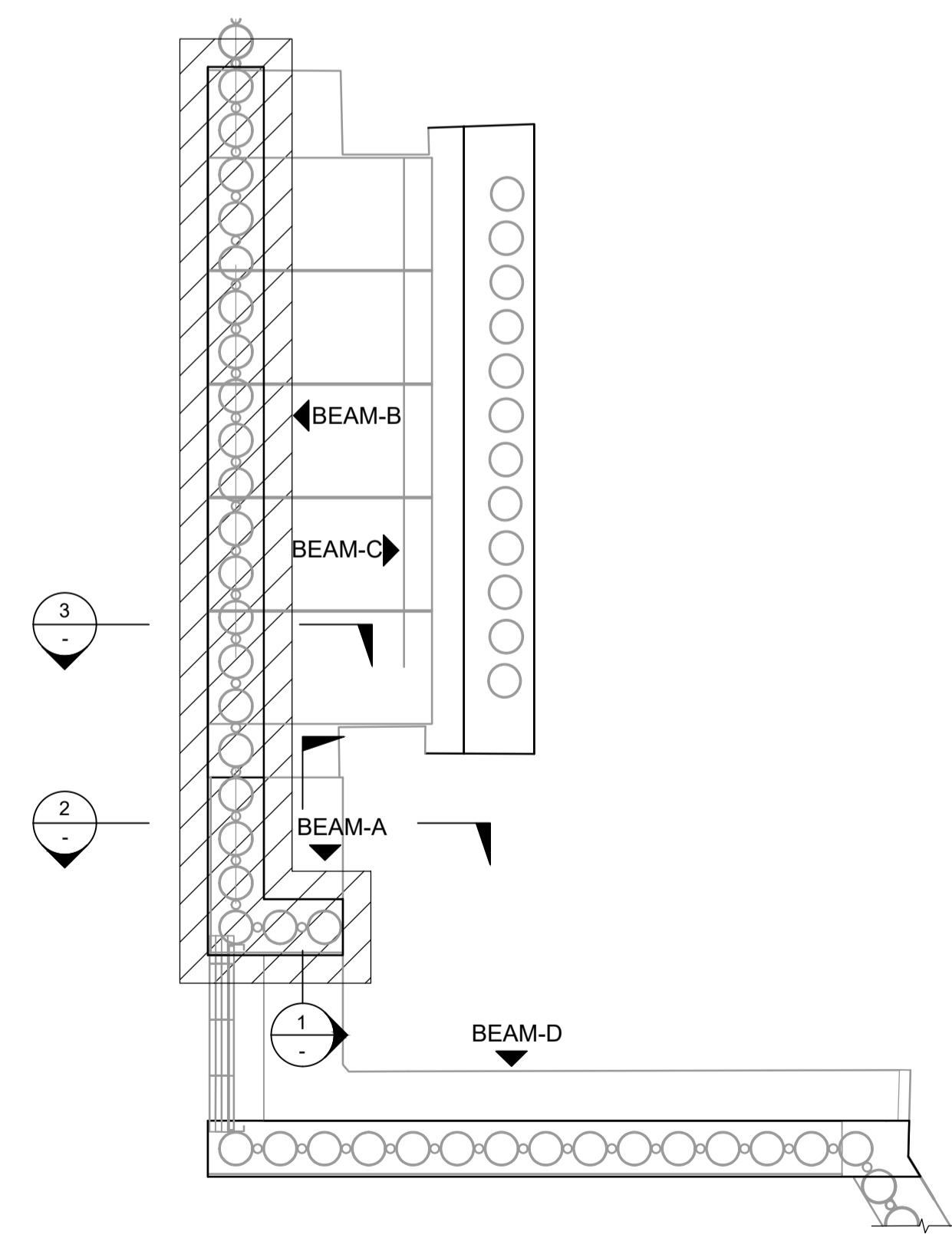
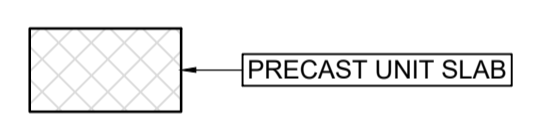
(1000 W x 1000 Dp)
BEAM-B
SCALE 1:25



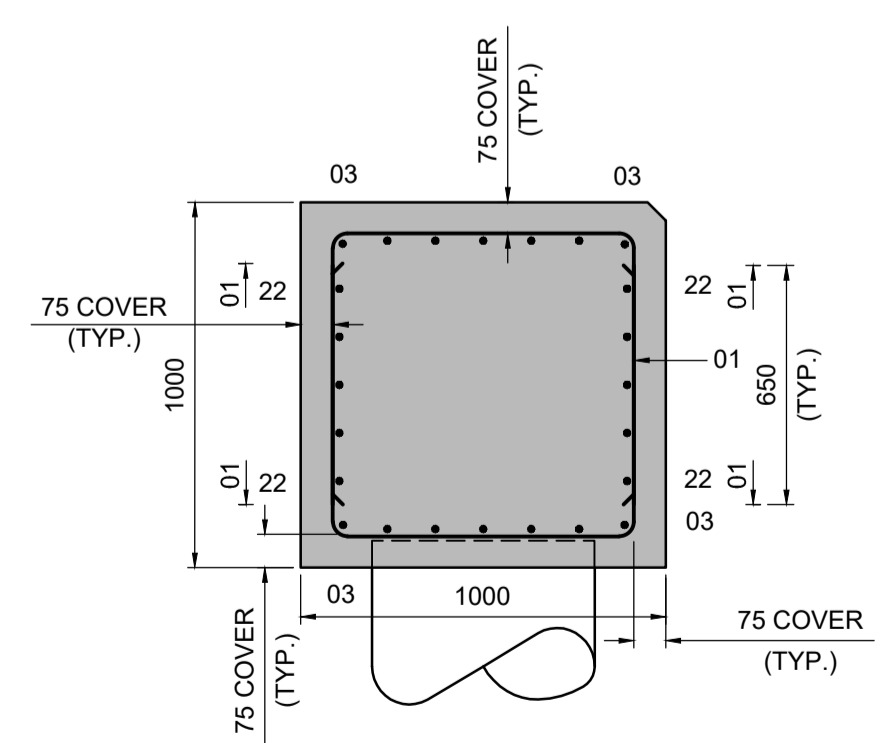
(1000 W x 1000 Dp)
CONTINUATION OF BEAM-B
SCALE 1:25

FOR PRECAST UNIT SLAB REINF. DETAILS REFER
DRG. NO: 105612-MMD-KE-ZZ-DR-C-7150

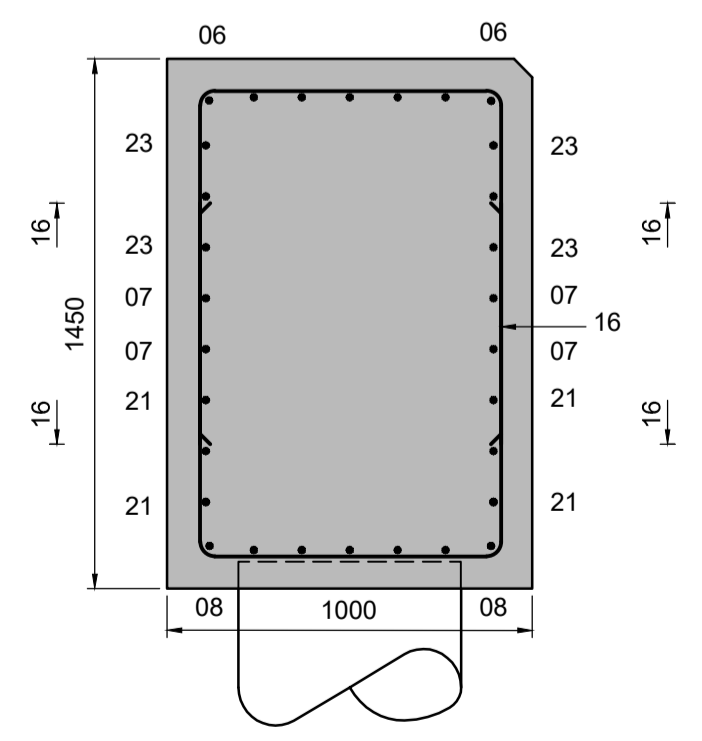
FOR CAPPING BEAM REINF. DETAILS REFER
DRG. NO: 105612-MMD-KE-ZZ-DR-C-4130 & 4135



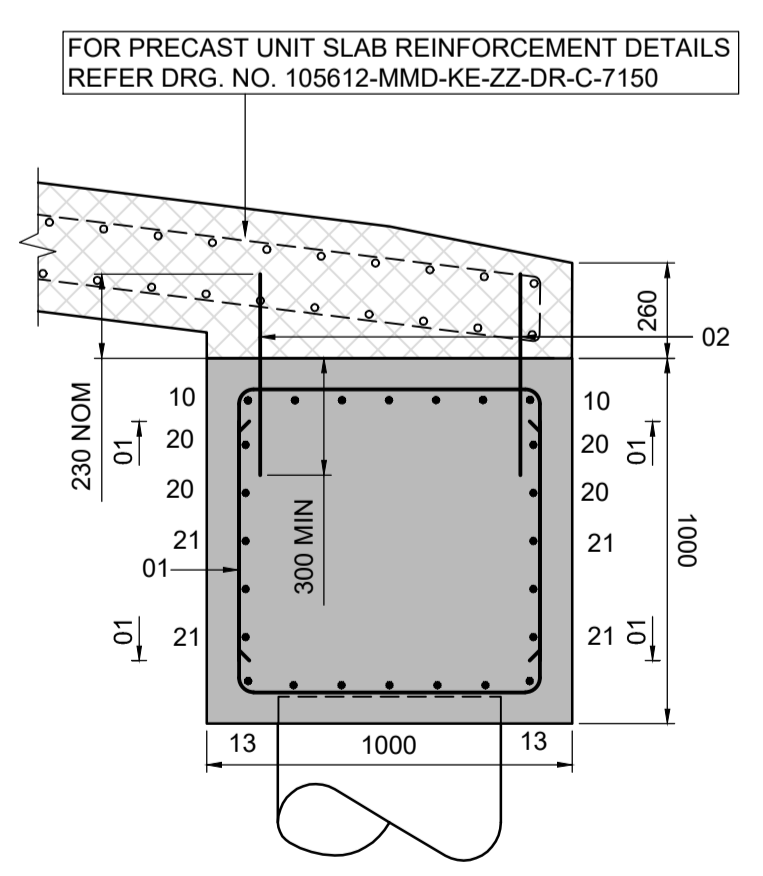
KEY PLAN
NTS



Section 1
1:20



Section 2
1:20



Section 3
1:20

Notes

- All dimensions are in millimetres unless otherwise noted.
- This drawing is to be read in conjunction with bar bending schedule No. 105612-MMD-KE-ZZ-SH-C-4130 SHEET 01&02.

RC Notes

- All reinforcement bars shall be grade B500B in accordance with BS4449:2005, yield strength $f_y = 500N/mm^2$.
- Reinforcement shall be firmly supported on chairs or concrete blocks supplied by the contractor in accordance with the requirements of BS 7973.
- Bars shall be tied at alternate intersections. Welding of reinforcement shall not be permitted.
- Bars are evenly distributed over the area indicated unless noted otherwise.
- All reinforcement shall be bent in accordance with BS8666:2005.
- Concrete to be Type C1.
- Concrete Cover (Unless noted otherwise)
75mm - Top, Bottom and Sides.
65mm - Min.
- Minimum reinforcement laps to be as per below table(s).
For beam minimum (100%) lap length shall be in accordance with the table below unless noted otherwise

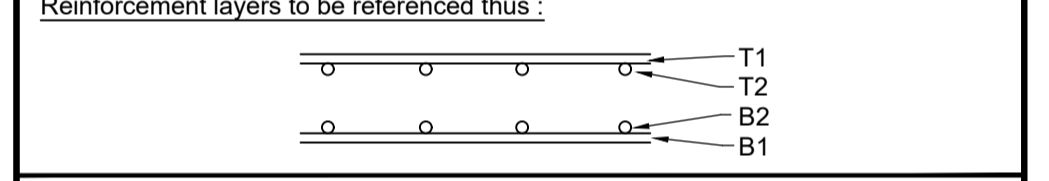
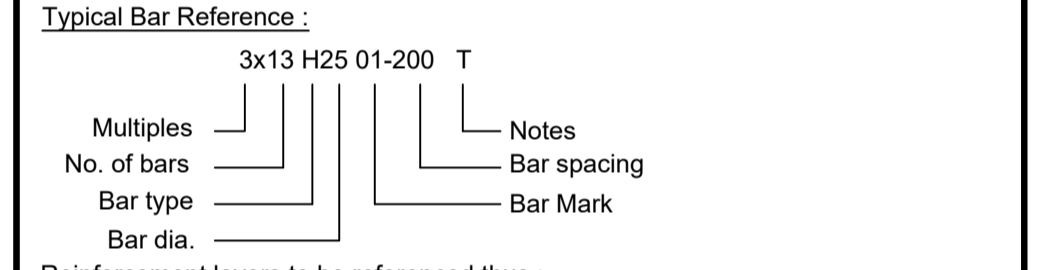
Bar dia (mm)	10	12	16	20	25	32
Bottom	350	450	650	860	1110	1420
Top	500	640	930	1220	1590	2030

For beam minimum (100%) anchorage shall be in accordance with the table below unless noted otherwise

Bar dia (mm)	10	12	16	20	25	32
Bottom	300	360	480	600	740	950
Top	430	510	680	850	1060	1350

Key to symbols

- Reinforcement Abbreviation :**
 TOB = Top of Beam
 ES = Each Side
 EF = Each Face
 SSL = Structural Slab Level
 T = Top
 B = Bottom
 SF = Side Face Bar
 V = Vertical
 TLL = Top Long Leg
 THK = Thick
 TYP = Typical



Reference drawings

- 105612-MMD-KE-ZZ-DR-C-4101 - Low Level Wall A
- 105612-MMD-KE-ZZ-DR-C-4102 - Low Level Wall A
- 105612-MMD-KE-ZZ-DR-C-7140 - Fixed Ramp RC Details
- 105612-MMD-KE-ZZ-DR-C-7130 - Fixed Ramp Precast Concrete Details
- 105612-MMD-KE-ZZ-DR-C-4135 - RC Details of Capping Beams Sheet 02 of 02
- 105612-MMD-KE-ZZ-DR-C-7150 - RC Details of Precast Slab

Rev	Date	Drawn	Description	Ch'k'd	App'd
C01	31.03.23	AID	Tender Issue	MP	CO

Status Stamp

TENDER

M M
MOTT MACDONALD

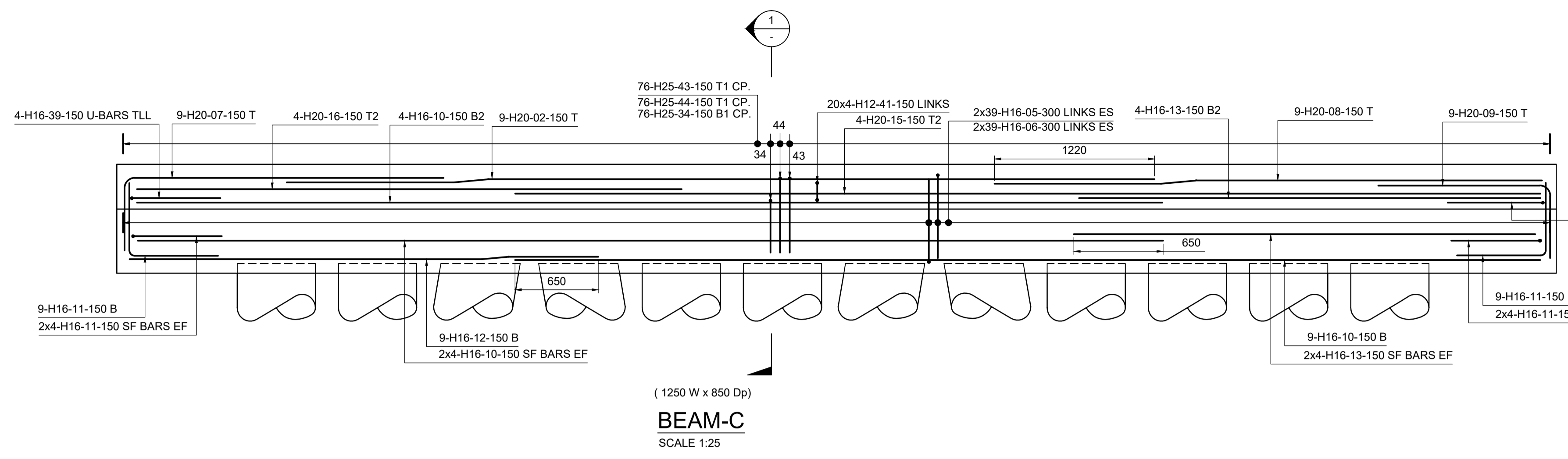
St Vincent Plaza
319 St Vincent Street
Glasgow, G2 5LD
United Kingdom

T +44 (0)141 222 4500
F +44 (0)141 221 2048
W mottmac.com

Client
Caledonian Maritime Assets Limited
Municipal Buildings
Fore Street
Port Glasgow
PA14 5EQ

Title
New Islay Vessel Port Enabling Works
Kennacraig
RC Details of
Capping Beams Sheet 01 of 02

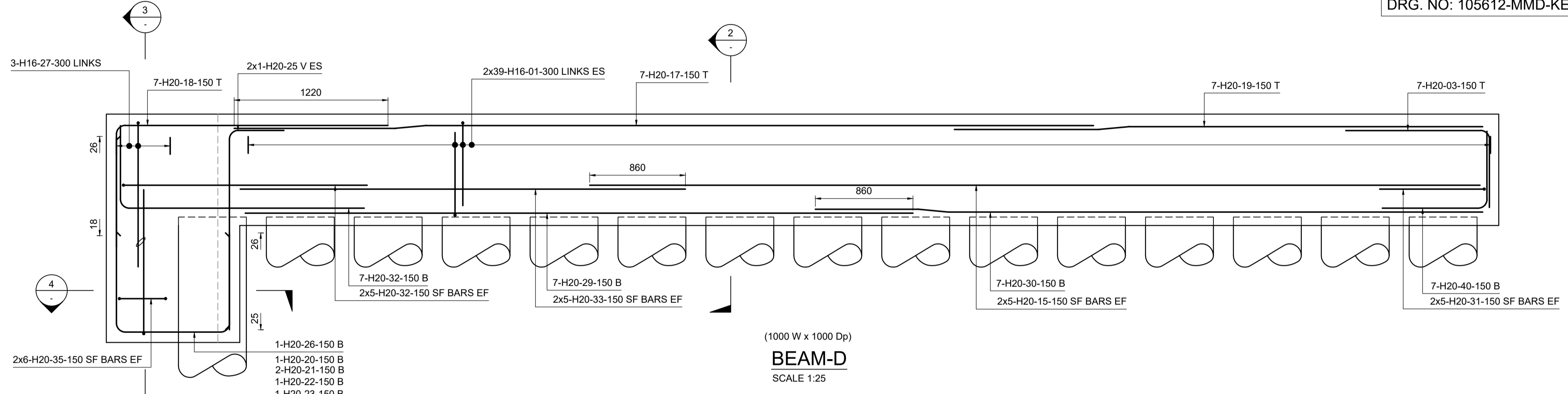
Designed	M. Purvis	MP	Eng check	B. Radcliffe	BR
Drawn	D.Aiswarya	AID	Coordination	G. Mather	GM
Dwg check	M.Purvis	MP	Approved	C.Ohl	CO
MMD Project Number	105612	Scale at A1		1:25 & 1:20	Security
Suitability Description	Authorised and Accepted				Suit. Code
Drawing Number	105612-MMD-KE-ZZ-DR-C-4130				Rev
					C01



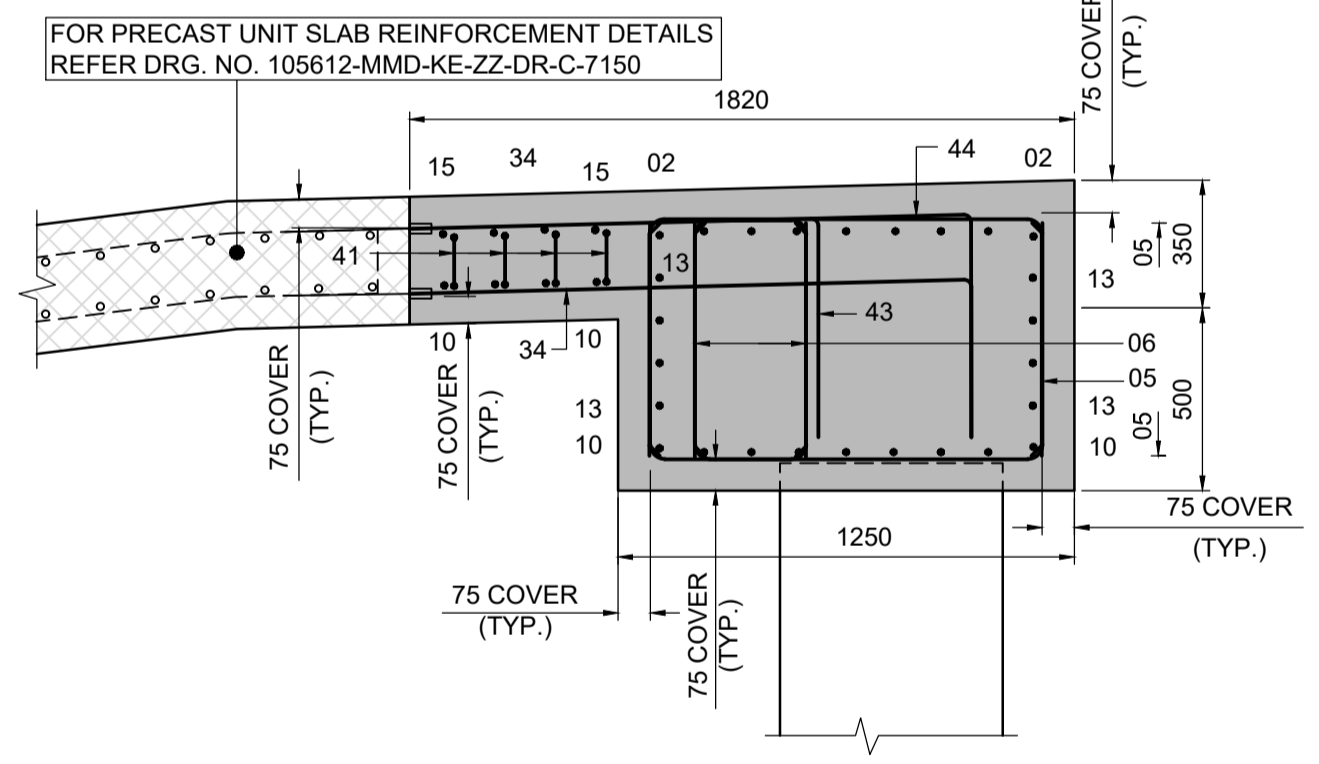
BEAM-C
SCALE 1:25

FOR PRECAST UNIT SLAB REINF. DETAILS REFER
DRG. NO: 105612-MMD-KE-ZZ-DR-C-7150

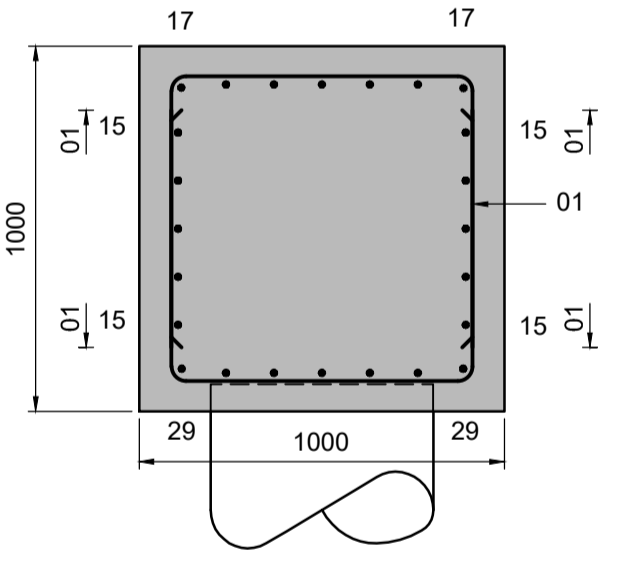
FOR CAPPING BEAM REINF. DETAILS REFER
DRG. NO: 105612-MMD-KE-ZZ-DR-C-4130 & 4135



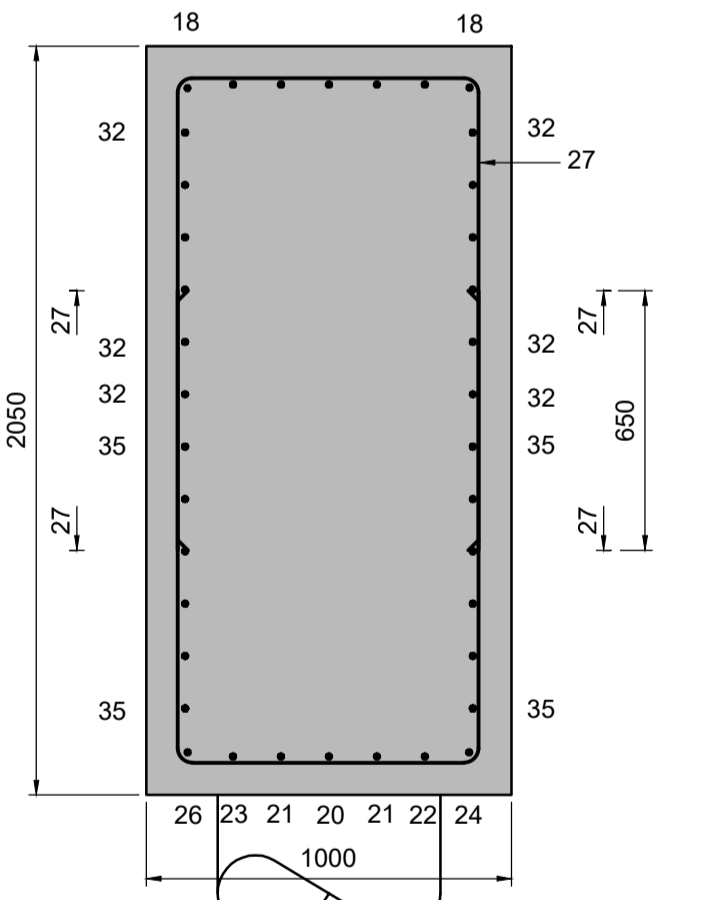
BEAM-D
SCALE 1:25



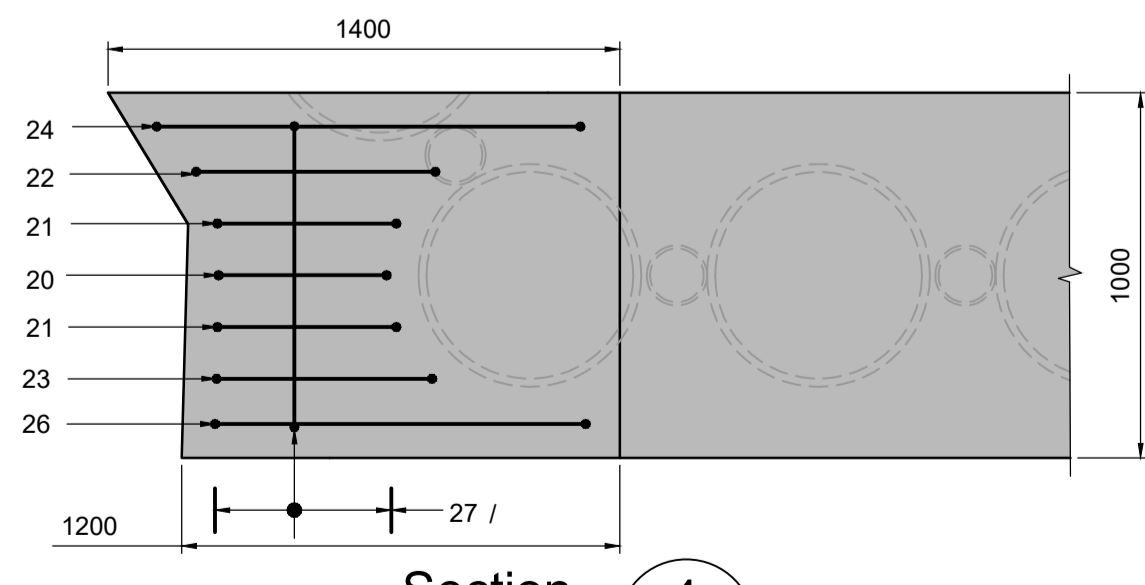
Section 1
1:20



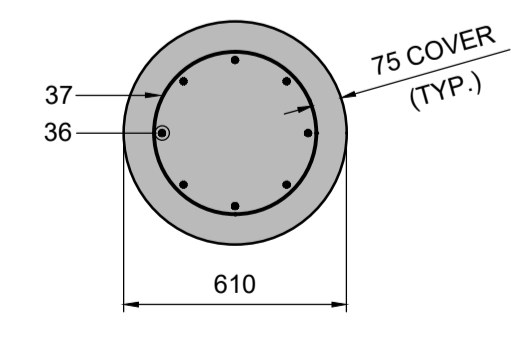
Section 2
1:20



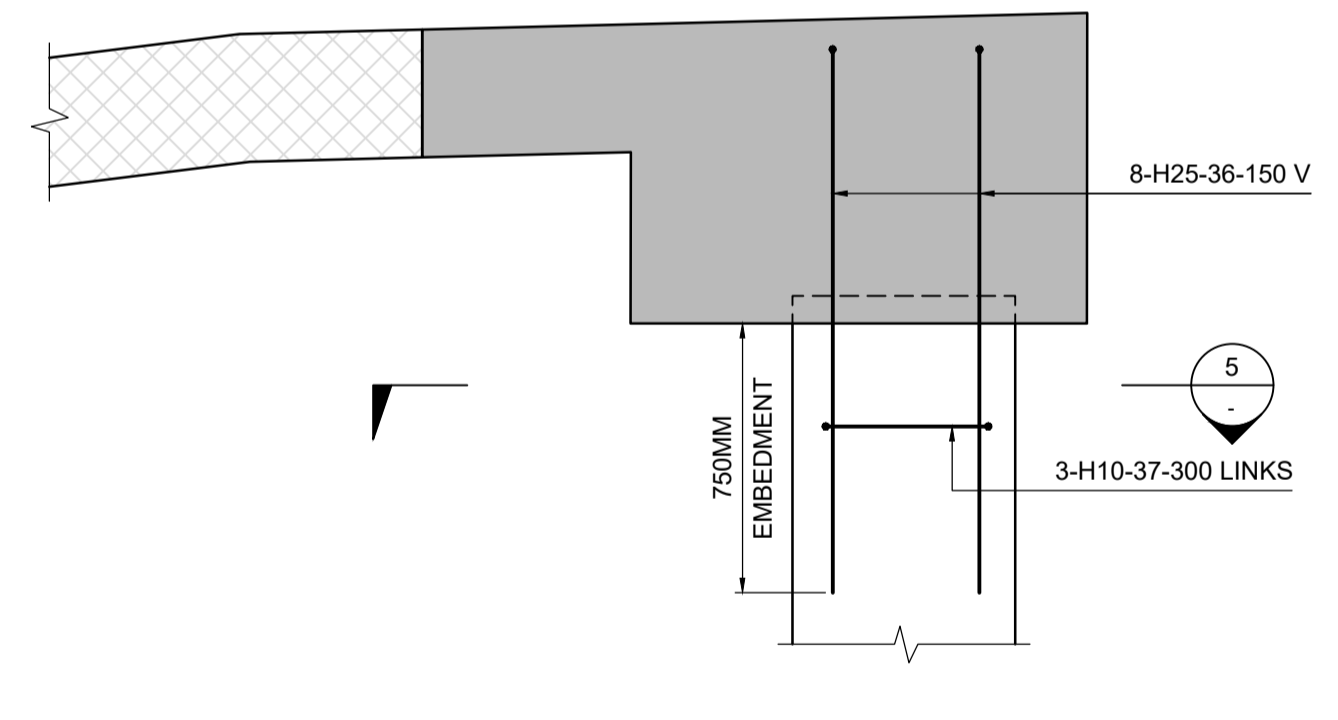
Section 3
1:20



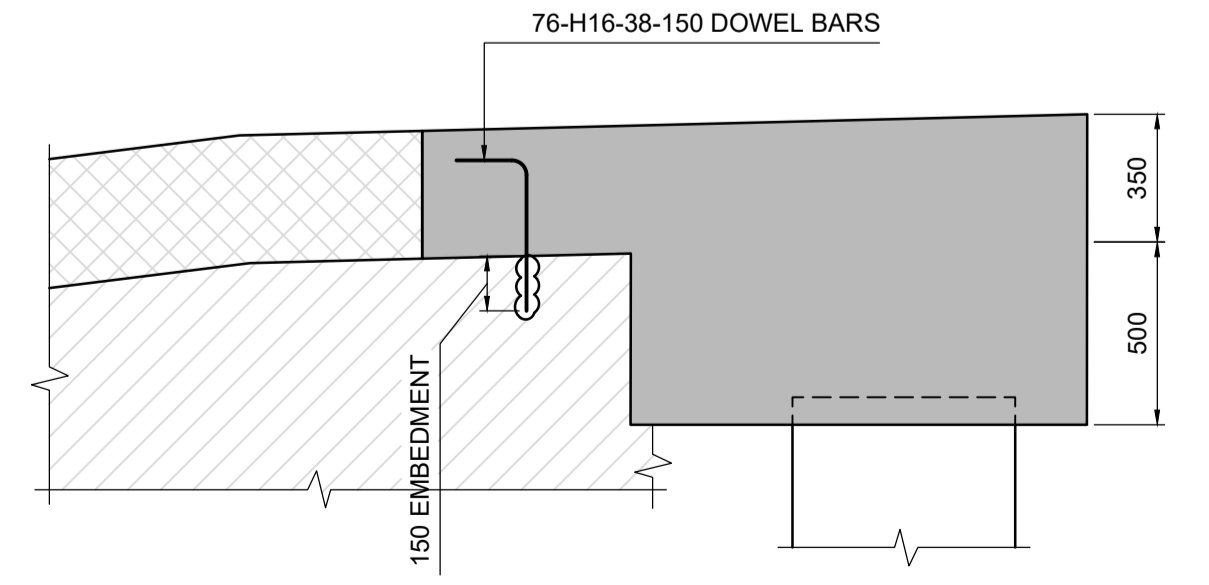
Section 4
1:20



Section 5
1:20



PILE CAP DETAIL (TYPICAL)
SCALE 1:20
(12 NOS. REQ'D)



DETAIL -A
SCALE 1:20

Notes

- All dimensions are in millimetres unless otherwise noted.
- This drawing is to be read in conjunction with bar bending schedule No. 105612-MMD-KE-ZZ-SH-C-4135 SHEET 01 TO 03.

RC Notes

- All reinforcement bars shall be grade B500B in accordance with BS4449:2005, yield strength $f_y = 500N/mm^2$.
- Reinforcement shall be firmly supported on chairs or concrete blocks supplied by the contractor in accordance with the requirements of BS 7973.
- Bars shall be tied at alternate intersections. Welding of reinforcement shall not be permitted.
- Bars are evenly distributed over the area indicated unless noted otherwise.
- All reinforcement shall be bent in accordance with BS8666:2005.
- Concrete to be Type C1.
- Concrete Cover (Unless noted otherwise) 75mm - Top, Bottom and Sides, 65mm - Min.
- Minimum reinforcement laps to be as per below table(s). For beam minimum (100%) lap length shall be in accordance with the table below unless noted otherwise

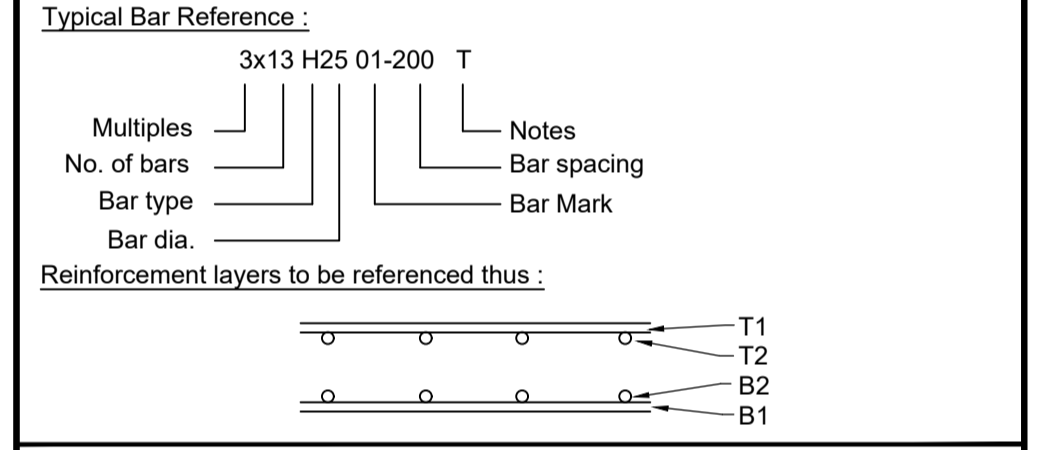
Bar dia (mm)	10	12	16	20	25	32
Bottom	350	450	650	860	1110	1420
Top	500	640	930	1220	1590	2030

For beam minimum (100%) anchorage shall be in accordance with the table below unless noted otherwise

Bar dia (mm)	10	12	16	20	25	32
Bottom	300	360	480	600	740	950
Top	430	510	680	850	1060	1350

Key to symbols

- Reinforcement Abbreviation :**
 TOB = Top of Beam
 ES = Each Side
 EF = Each Face
 SSL = Structural Slab Level
 T = Top
 B = Bottom
 SF = Side Face Bar
 V = Vertical
 TLL = Top Long Leg
 THK = Thick
 TYP = Typical



Reference drawings

- 105612-MMD-KE-ZZ-DR-C-4101 - Low Level Wall A
- 105612-MMD-KE-ZZ-DR-C-4102 - Low Level Wall A
- 105612-MMD-KE-ZZ-DR-C-7140 - Fixed Ramp RC Details
- 105612-MMD-KE-ZZ-DR-C-7130 - Fixed Ramp Precast Concrete Details
- 105612-MMD-KE-ZZ-DR-C-4130 - RC Details of Capping Beams Sheet 01 of 02
- 105612-MMD-KE-ZZ-DR-C-7150 - RC Details of Precast Slab

Rev	Date	Drawn	Description	Chk'd	App'd
C01	31.03.23	AID	Tender Issue	MP	CO

Status Stamp

TENDER

St Vincent Plaza
319 St Vincent Street
Glasgow, G2 5LD
United Kingdom

T +44 (0)141 222 4500
F +44 (0)141 221 2048
W mottmac.com

Client
Caledonian Maritime Assets Limited
Municipal Buildings
Fore Street
Port Glasgow
PA14 5EQ

Title
New Islay Vessel Port Enabling Works
Kennacraig
RC Details of
Capping Beams Sheet 02 of 02

Designed	M. Purvis	MP	Eng check	B. Radcliffe	BR
Drawn	D. Aiswarya	AID	Coordination	G. Mather	GM
Dwg check	M. Purvis	MP	Approved	C. Ohi	CO
MMD Project Number	105612	Scale at A1	1:25 & 1:20	Security	STD
Suitability Description	Authorised and Accepted				Suit. Code
Drawing Number	105612-MMD-KE-ZZ-DR-C-4135	Rev	A1		
					C01

© Mott MacDonald
 This document is issued for the party which commissioned it and for specific purposes connected with the captioned project only. It should not be relied upon by any other party or used for any other purpose.
 We accept no responsibility for the consequences of this document being relied upon by any other party, or being used for any other purpose, or containing any error or omission which is due to an error or omission in data supplied to us by other parties.

- Notes
1. All chainages are in metres.
 2. All dimensions in millimetres unless noted otherwise.
 3. All levels in metres relative to Chart Datum (mCD) unless noted otherwise.
 4. DO NOT SCALE. Follow written dimensions only.
 5. The Client accepts no liability for the accuracy of the topographical & bathymetrical information provided
 6. The Contractor shall verify all dimensions, elevations, coordinates, and site conditions prior to execution.
 7. Dimensions followed by an asterisks are to be confirmed by the contractor on site.
 8. Notes followed by + denote items that are to be in accordance with manufacturers recommendations.
 9. For general notes refer to drawing 105612-MMD-(**)-ZZ-0011 (** denotes field 3 Volume or system varies per project site CO, KE & PA.

Key to symbols

Reference drawings

External Drawings:
 Topographical Survey
 Reference: A8287-CD
 Date of Survey: 26.07.2022

Rev	Date	Drawn	Description	Ch'k'd	App'd
C01	17.03.2023	CC	Tender Issue	BR	CO

Status Stamp

TENDER

MOTT MACDONALD

Mott MacDonald
 St Vincent Plaza
 319 St Vincent Street
 Glasgow, G2 5LD
 United Kingdom

T +44 (0)141 222 4500
 F +44 (0)141 221 2048
 W mottmac.com

Client
Caledonian Maritime Assets Limited
 Municipal Buildings
 Fore Street
 Port Glasgow
 PA14 5EQ



Title
New Islay Vessel Port Enabling Works
 Kennacraig
 Paving and Fencing
 General Arrangement

Designed	M. Purvis	MP	Eng. Check	B. Radcliffe	BR
Drawn	G. Mather	GM	Coordination	G. Mather	GM
Dwg. Check	B. Radcliffe	BR	Approved	M. Ross	MR

MMD Project Number
105612

Scale at A1
1:250, 1:20

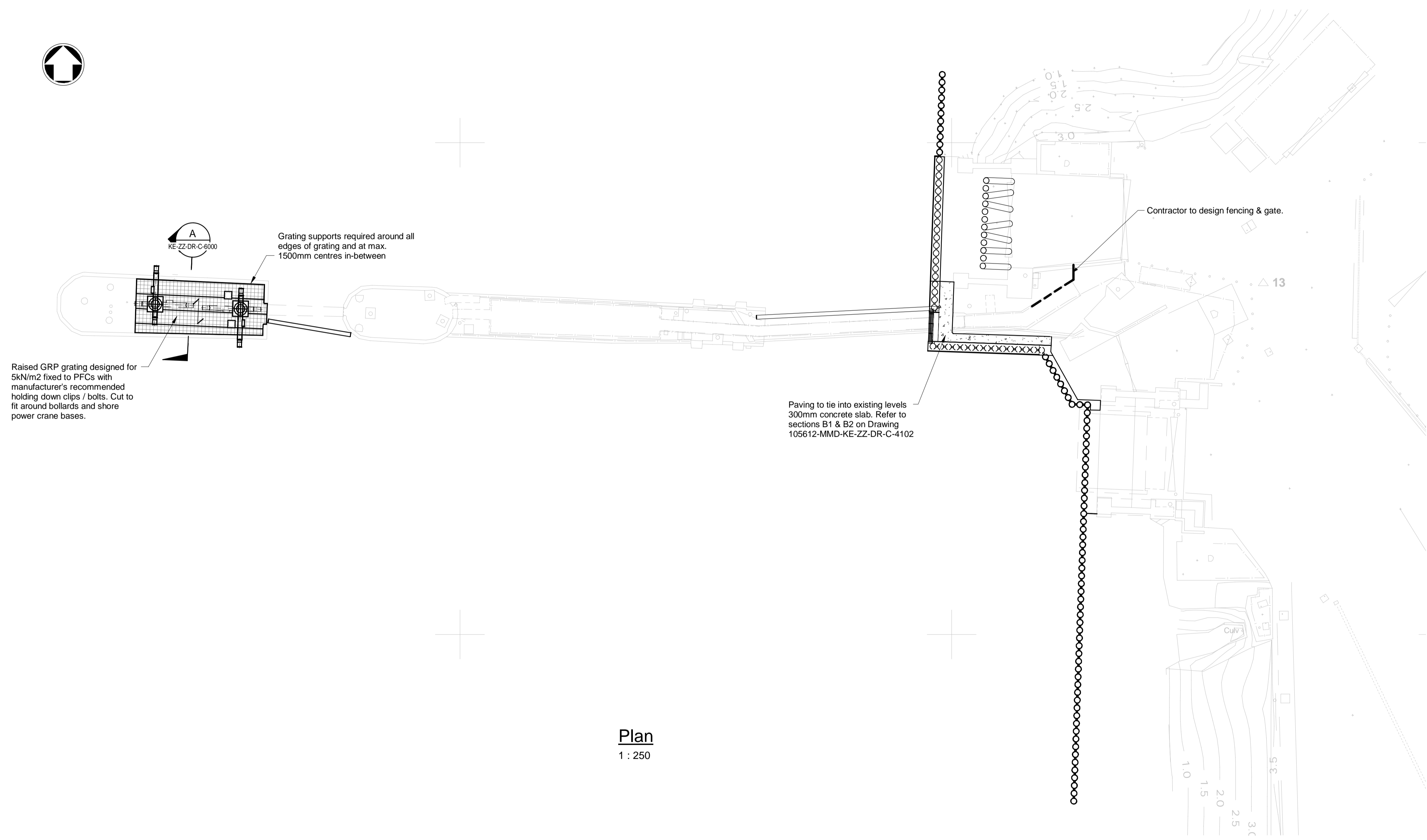
Security
STD

Suitability Description
Authorised and Accepted

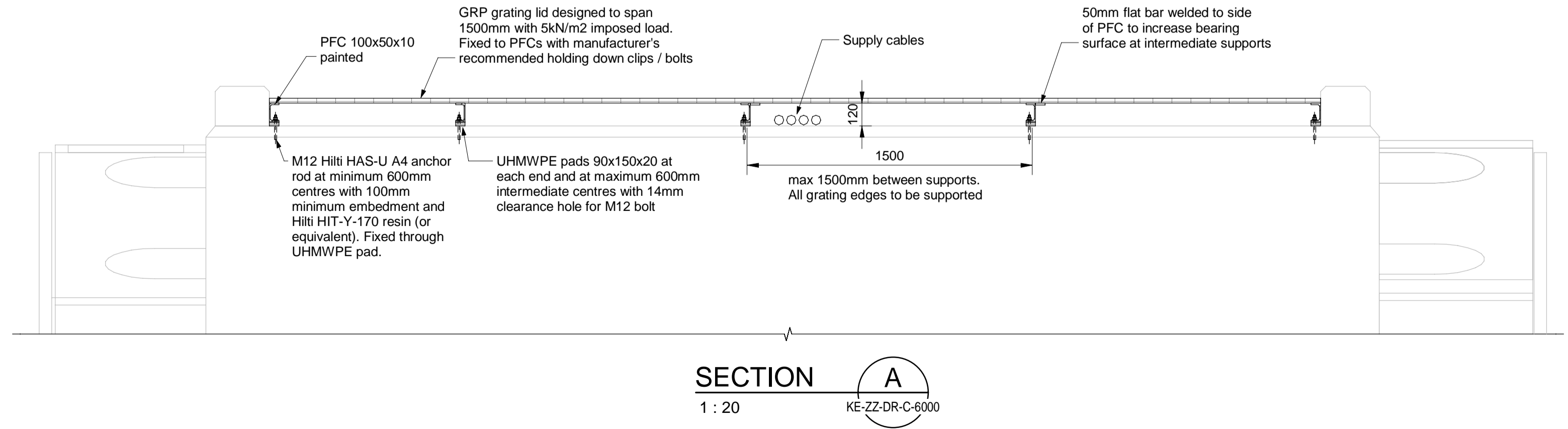
Suit. Code
A1

Drawing Number
105612-MMD-KE-ZZ-DR-C-6000

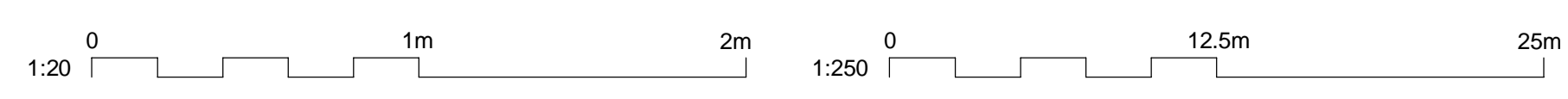
Rev
C01

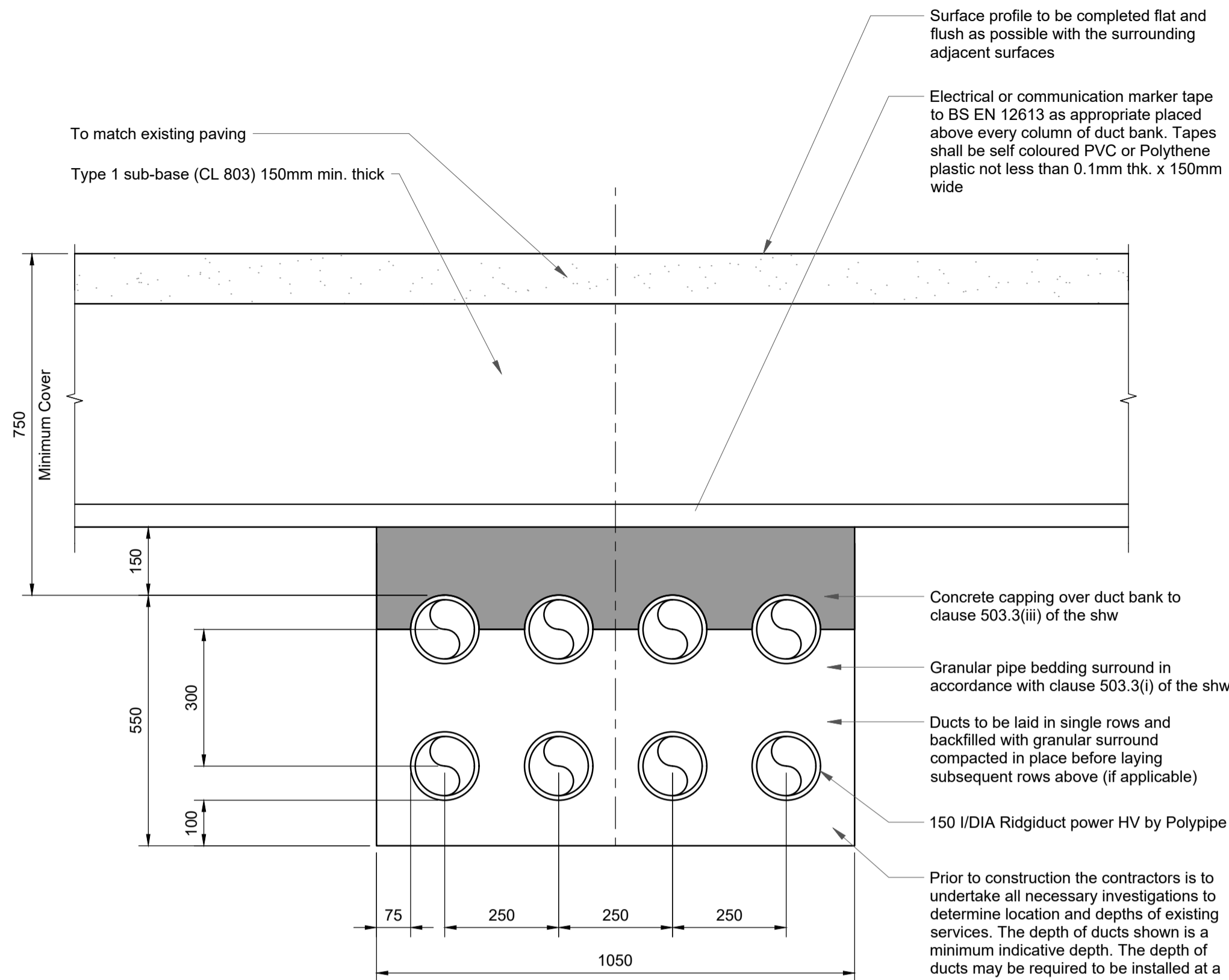
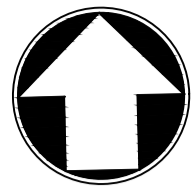


Plan
 1 : 250

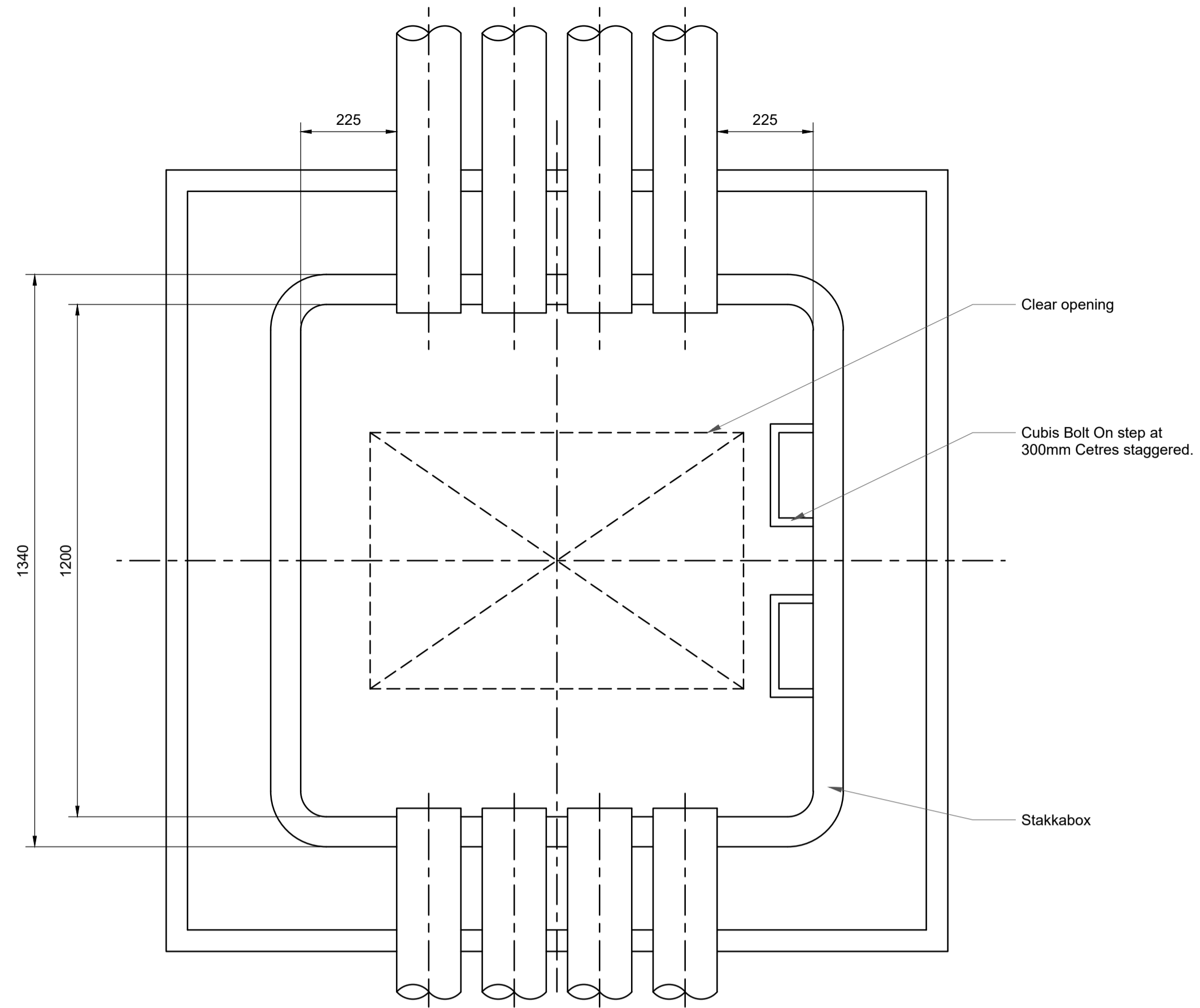


SECTION A
 1 : 20

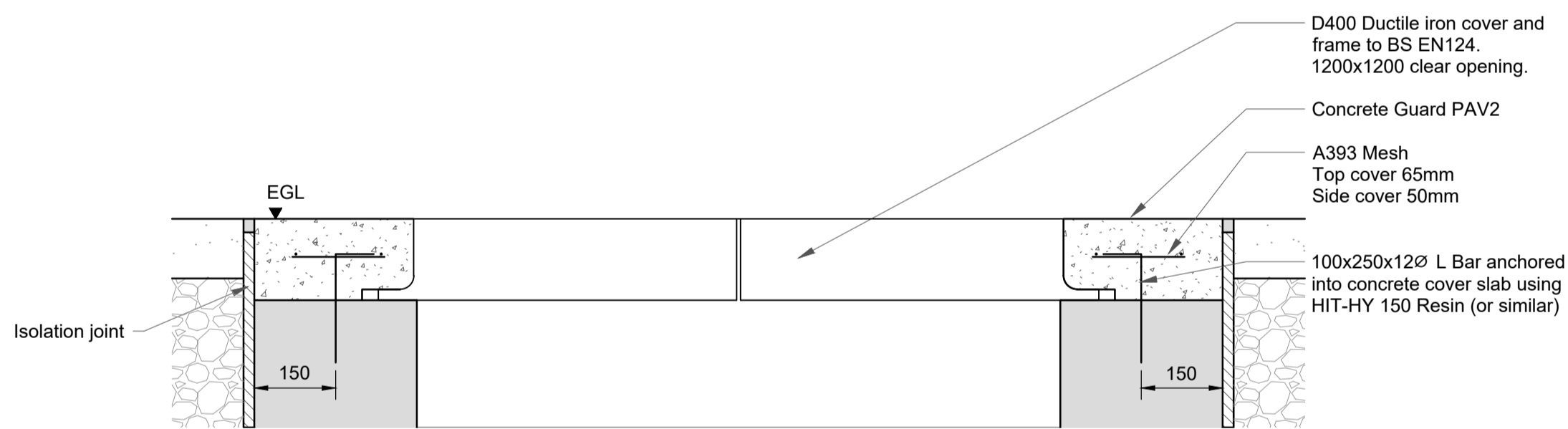




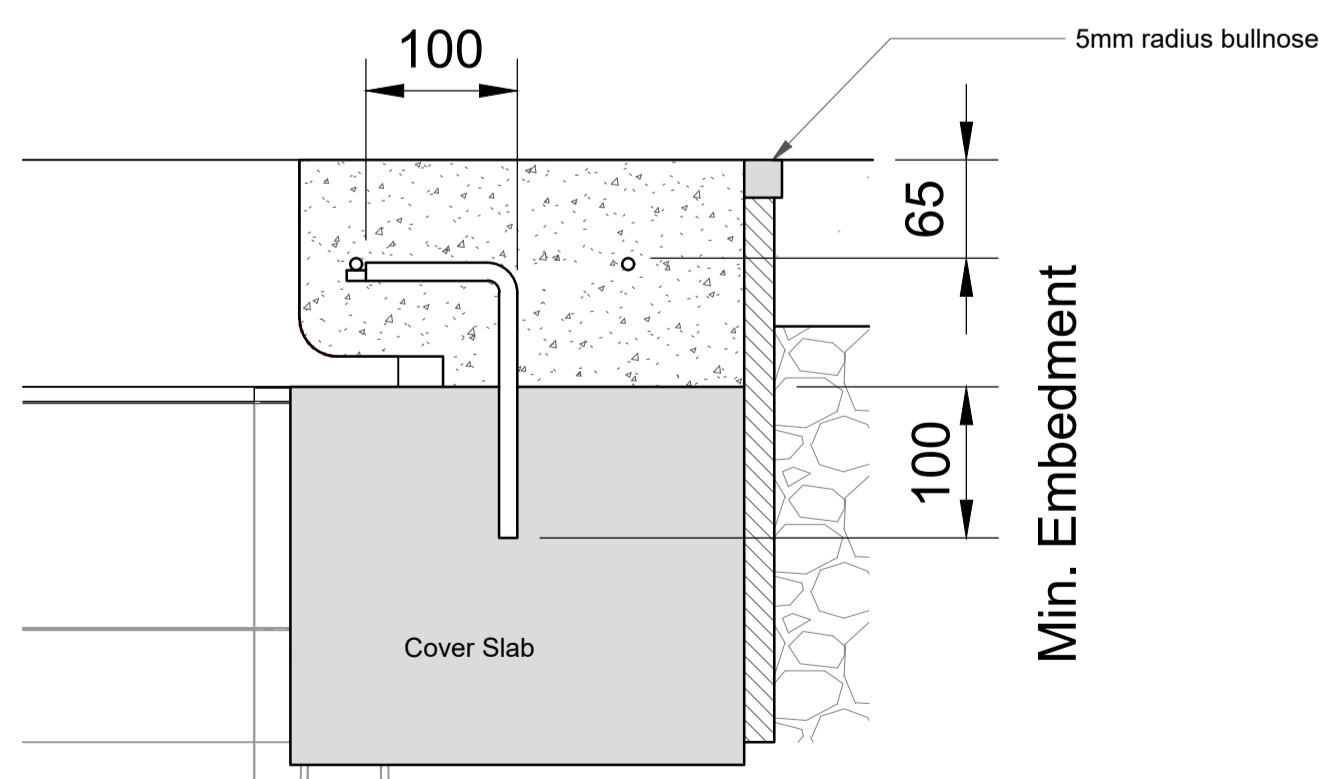
Typical Section
1 : 10



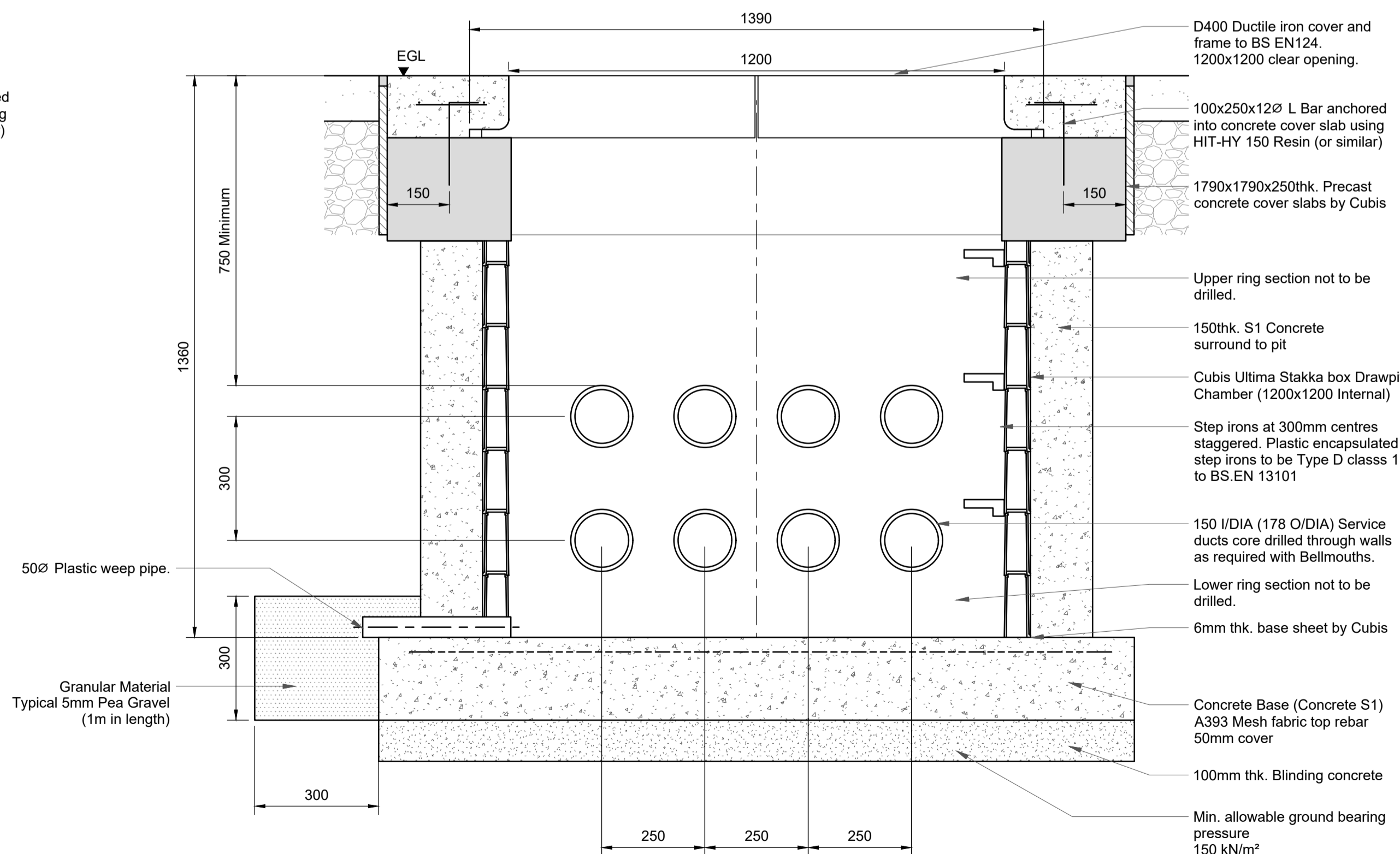
Plan on Typical Drawpit
1 : 10



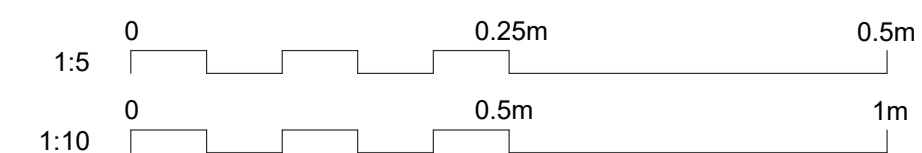
D400 Class Ductile Iron Lid
1 : 10



Enlarged Detail
1 : 5



SECTION A
1 : 10
PE-ZZ-SK-C-5000



- Notes**
- All chainages are in metres.
 - All dimensions in millimetres unless noted otherwise.
 - All levels in metres relative to Chart Datum (mCD) unless noted otherwise.
 - DO NOT SCALE. Follow written dimensions only.
 - The Client accepts no liability for the accuracy of the topographical & bathymetrical information provided.
 - The Contractor shall verify all dimensions, elevations, coordinates, and site conditions prior to execution.
 - For general notes refer to drawing 105612-MMD-(")-ZZ-0011, where (") denotes field 3 volume or system for the applicable project site CO, KE & PA.
 - Drawpit cover to be designed by Contractor to comply with D400 (for all road works)
 - Spacer and strapping to be designed by contractor to suit duct arrangement
 - Drawpits of dimensions 1200x1200 are "STAKKABOX ULTIMA" Chambers by Cubis Industries

Reference drawings

ULTIMA with Composite Cover and Frame 1200mmx1200mm SYULMP-12001200-1210COB-E

C01	17.03.23	CC	Tender Issue	BR	CO
Rev	Date	Drawn	Description	Ch'k'd	App'd


Status Stamp
TENDER

MOTT MACDONALD

St Vincent Plaza
319 St Vincent Street
Glasgow, G2 5LD
United Kingdom

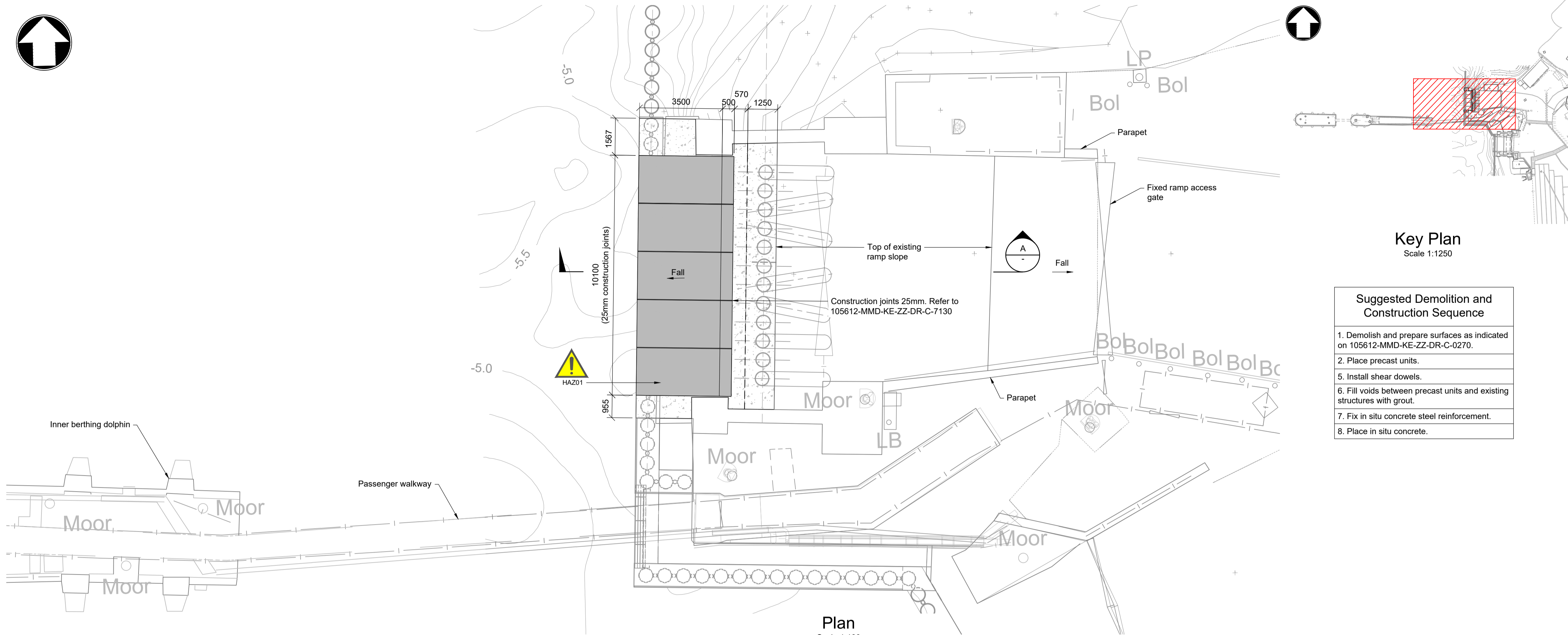
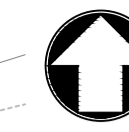
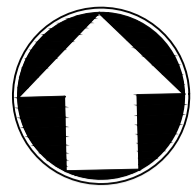
T +44 (0)141 222 4500
F +44 (0)141 221 2048
W mottmac.com

Client
Caledonian Maritime Assets Limited
Municipal Buildings
Fore Street
Port Glasgow
PA14 5EQ



Title
New Islay Vessel Port Enabling Works
Kennacraig Ferry Terminal
Paving Manholes and Ducting

Designed	R. Macrae	RM	Eng check	B. Radcliffe	BR
Drawn	L. Marini	LM	Coordination	G. Mather	GM
Dwg check	D. Brunner	DB	Approved	C. Ohl	CO
MMD Project Number	105612	Scale at A1	As Indicated	Security	STD
Suitability Description	Authorised and Accepted			Suit. Code	A1
Drawing Number	105612-MMD-KE-ZZ-DR-C-6120			Rev	C01



Plan
Scale 1:100

Suggested Demolition and Construction Sequence

1. Demolish and prepare surfaces as indicated on 105612-MMD-KE-ZZ-DR-C-0270.
2. Place precast units.
5. Install shear dowels.
6. Fill voids between precast units and existing structures with grout.
7. Fix in situ concrete steel reinforcement.
8. Place in situ concrete.

- Notes
1. This drawing shall be read in conjunction with the Specification.
 2. The Project Manager shall be notified immediately of any discrepancy encountered on site.
 3. All dimensions are in millimetres (mm) unless noted otherwise.
 4. The drawing shall not be scaled. FOLLOW WRITTEN DIMENSIONS ONLY.
 5. Levels are in metres relative to Chart Datum (CD) unless noted otherwise.
 6. At Kennacraig, Chart Datum is 0.4m below Ordnance Datum.
 7. Dimensions followed by an asterisks are to be confirmed by the contractor on site.
 8. Notes followed by + denote items that are to be in accordance with manufacturers recommendations.

Key to symbols

- Existing Concrete
- In Situ Concrete
- Precast Concrete

Reference drawings

External Drawings:
Topographical Survey
Reference: A8287-CD
Date of Survey: 26.07.2022
New Fixed Ramp Details
Halcrow Dwg DS-CFMC-110-153

Reference Drawings:
105612-MMD-KE-ZZ-DR-C-0270 Fixed Ramp Demolition
105612-MMD-KE-ZZ-DR-C-7130 Fixed Ramp Precast Details
105612-MMD-KE-ZZ-DR-C-7140 Fixed Ramp RC Details

C01	17.03.23	CC	Tender Issue	BR	CO
Rev	Date	Drawn	Description	Ch'k'd	App'd

Status Stamp
TENDER

MOTT MACDONALD

St Vincent Plaza
319 St Vincent Street
Glasgow, G2 5LD
United Kingdom

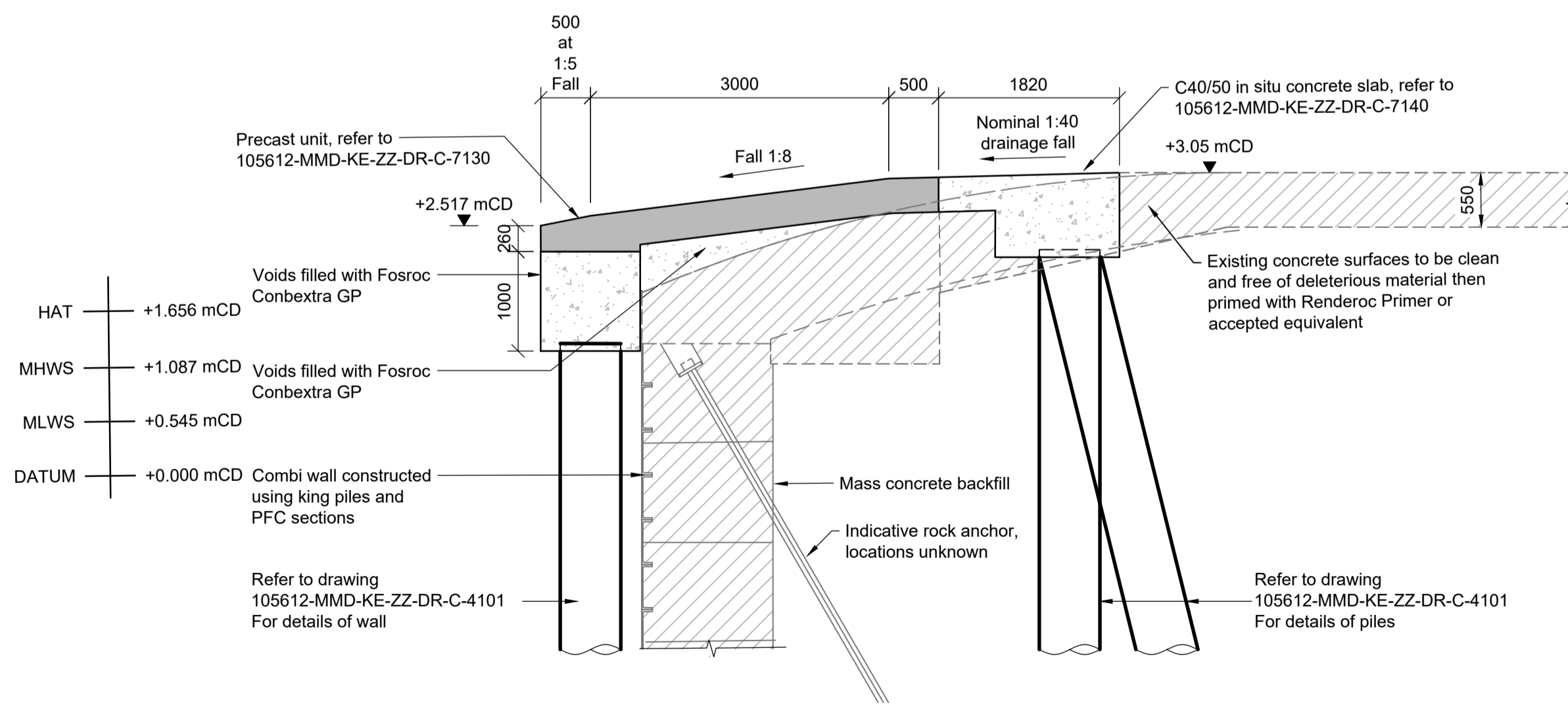
T +44 (0)141 222 4500
F +44 (0)141 221 2048
W mottmac.com

Client
Caledonian Maritime Assets Limited
Municipal Buildings
Fore Street
Port Glasgow
PA14 5EQ



Title
New Islay Vessel Port Enabling Works
Kennacraig Ferry Terminal
Fixed Ramp
General Arrangement

Designed	R. Macrae	RM	Eng check	B. Radcliffe	BR
Drawn	L. Marini	LM	Coordination	G. Mather	GM
Dwg check	D. Brunner	DB	Approved	C. Ohl	CO
MMD Project Number	105612	Scale at A1	As Indicated	Security	STD
Suitability Description	Authorised and Accepted				Suit. Code A1
Drawing Number	105612-MMD-KE-ZZ-DR-C-7100				Rev C01



Section A
Scale 1:50

HAZARD / RISK INFORMATION

It is a requirement that only experienced and competent contractors carry out the work described, using a recognised safe method of working. The following are specific significant residual risks identified by the designer and are additional to those hazards/risks normally associated with this type of work.

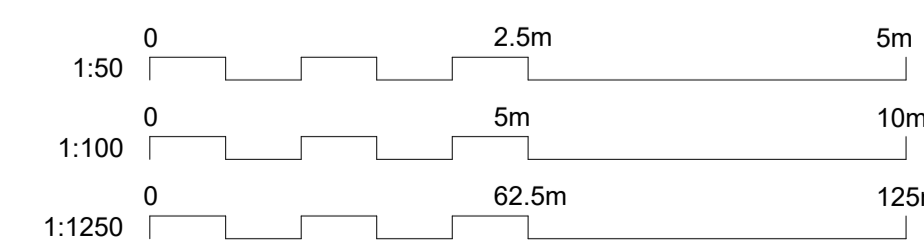
CONSTRUCTION:
HAZ01 - Lifting Technique TBC by contractor

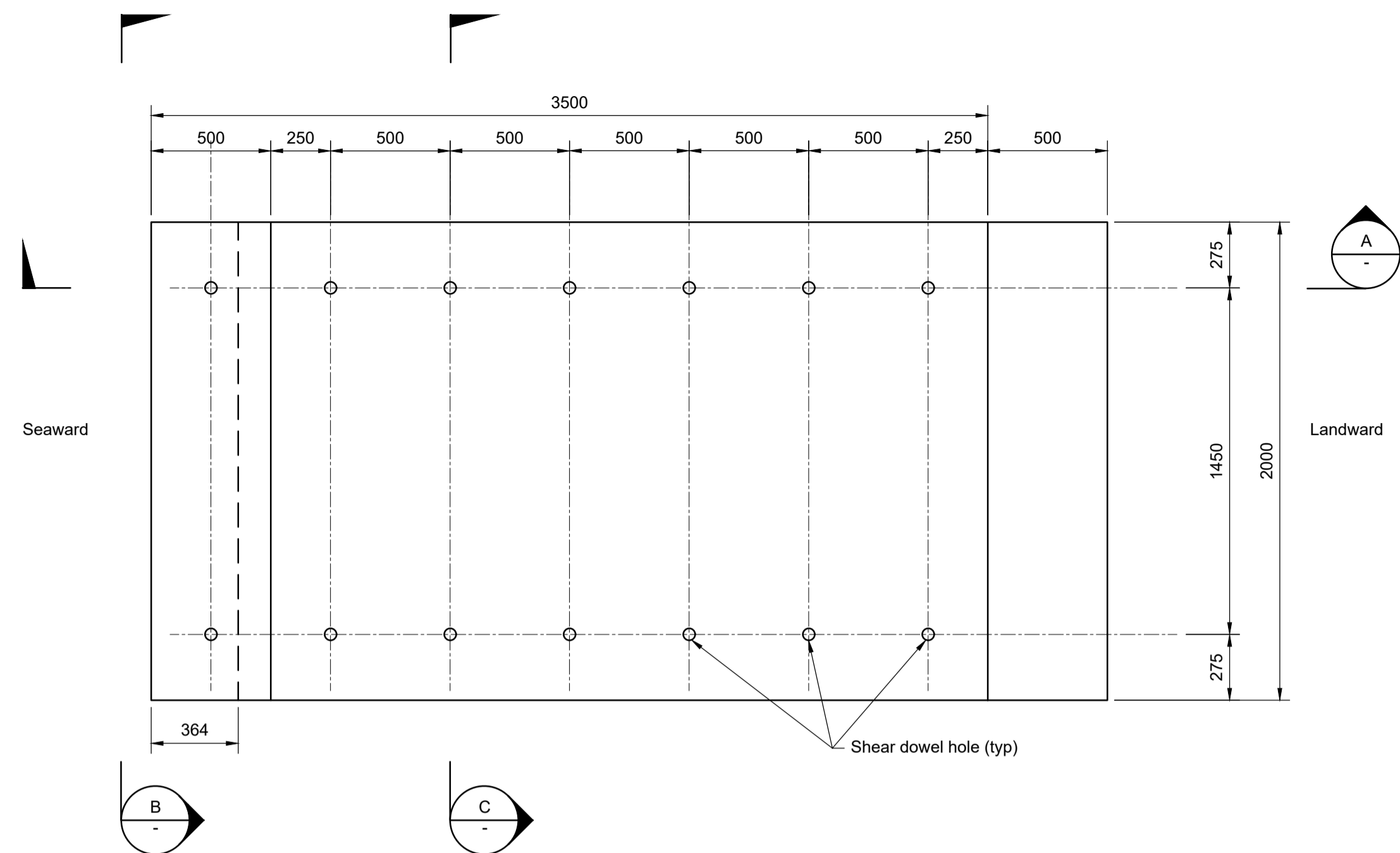
OPERATIONS:
02 - N/A

MAINTENANCE:
03 - N/A

DEMOLITION:
04 - N/A

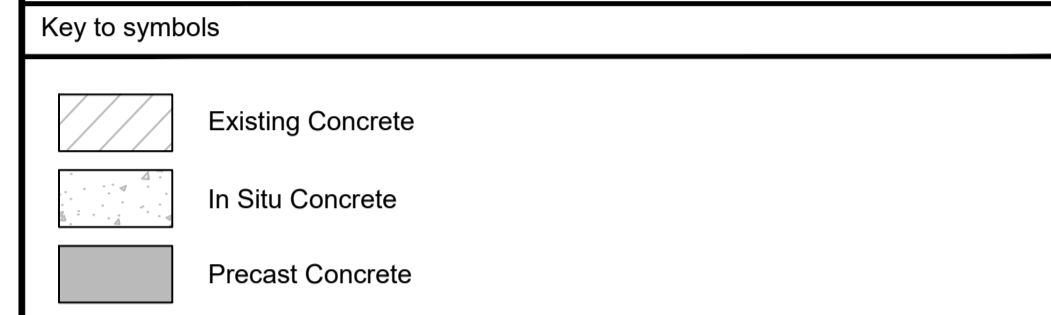
FUTURE ANTICIPATED WORK:
05 - N/A





Plan
Scale 1:20

- Notes**
1. This drawing shall be read in conjunction with the Specification.
 2. The Project Manager shall be notified immediately of any discrepancy encountered on site.
 3. All dimensions are in millimetres (mm) unless noted otherwise.
 4. The drawing shall not be scaled. FOLLOW WRITTEN DIMENSIONS ONLY.
 5. Levels are in metres relative to Chart Datum (CD) unless noted otherwise.
 6. At Kennacraig, Chart Datum is 0.4m below Ordnance Datum.
 7. Dimensions followed by an asterisks are to be confirmed by the contractor on site.
 8. Notes followed by + denote items that are to be in accordance with manufacturers recommendations.



Reference drawings

External Drawings:
 Topographical Survey
 Reference: A8287-CD
 Date of Survey: 26.07.2022
 New Fixed Ramp Details
 Halcrow Dwg DS-CFMC-110-153

Reference Drawings:
 105612-MMD-KE-ZZ-DR-C-0270 Fixed Ramp Demolition
 105612-MMD-KE-ZZ-DR-C-7100 Fixed Ramp General Arrangement
 105612-MMD-KE-ZZ-DR-C-7140 Fixed Ramp RC Details

Rev	Date	Drawn	Description	Ch'k'd	App'd
C01	17.03.2023	LM	Tender Issue	BR	CO

Status Stamp: **TENDER**

MOTT MACDONALD

St Vincent Plaza
 319 St Vincent Street
 Glasgow, G2 5LD
 United Kingdom

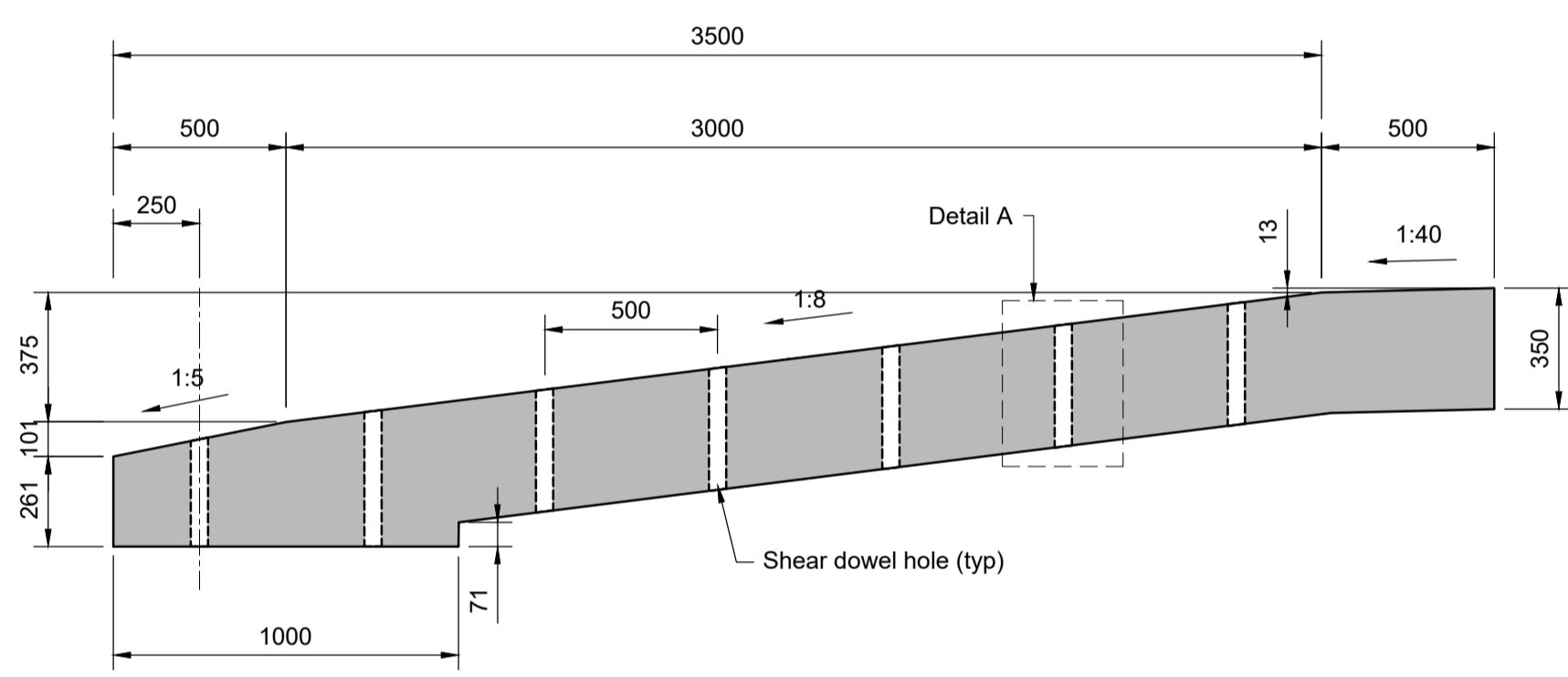
T +44 (0)141 222 4500
 F +44 (0)141 221 2048
 W mottmac.com

Client:
Caledonian Maritime Assets Limited
 Municipal Buildings
 Fore Street
 Port Glasgow
 PA14 5EQ

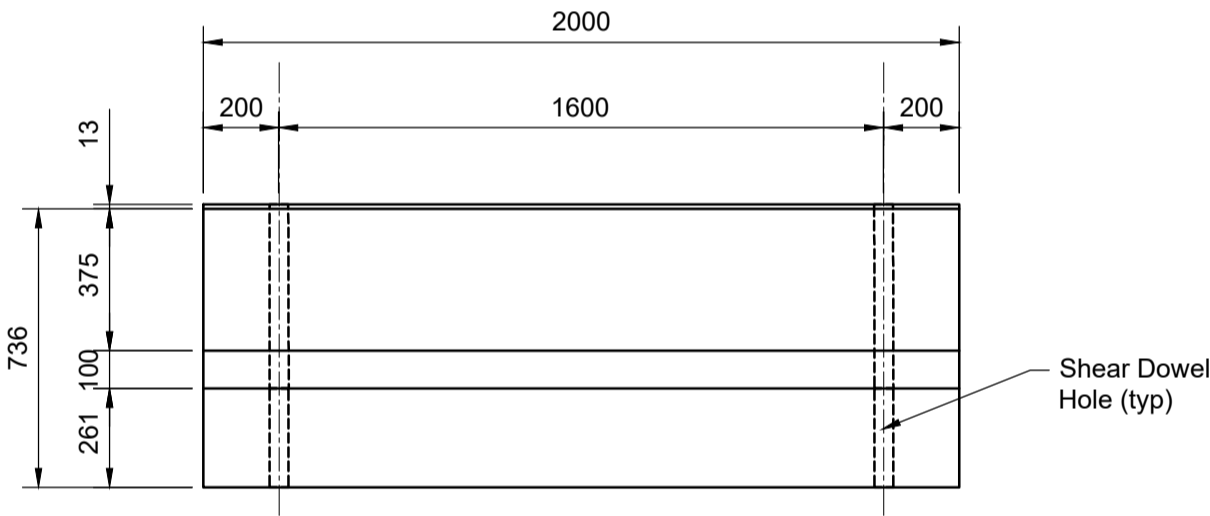


Title:
New Islay Vessel Port Enabling Works
Kennacraig Ferry Terminal
Fixed Ramp
Precast Concrete Details

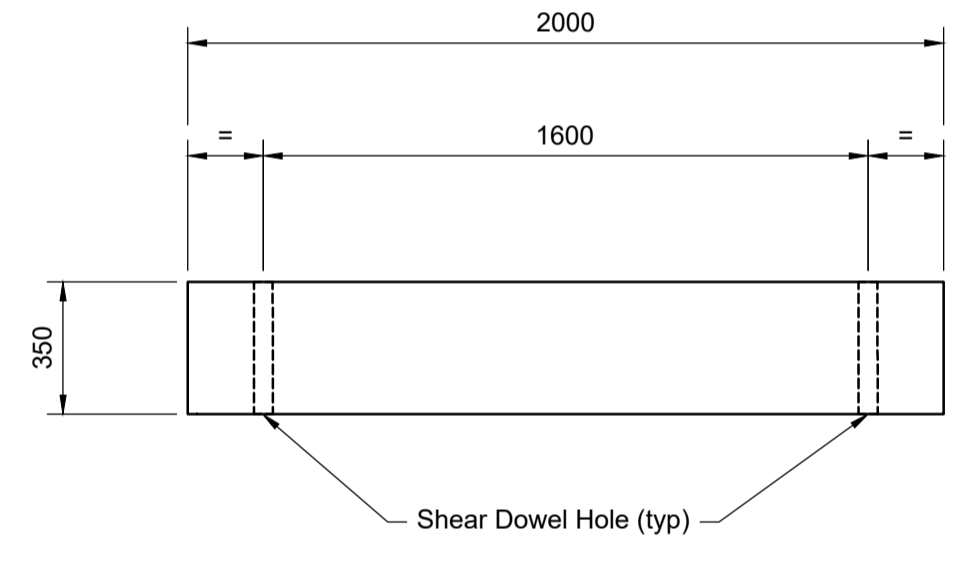
Designed	R. Macrae	RM	Eng check	B. Radcliffe	BR
Drawn	L. Marini	LM	Coordination	G. Mather	GM
Dwg check	D. Brunner	DB	Approved	C. Ohi	CO
MMD Project Number	105612	Scale at A1	As Indicated	Security	STD
Suitability Description	Authorised and Accepted				Suit. Code
Drawing Number	105612-MMD-KE-ZZ-DR-C-7130				Rev
					C01



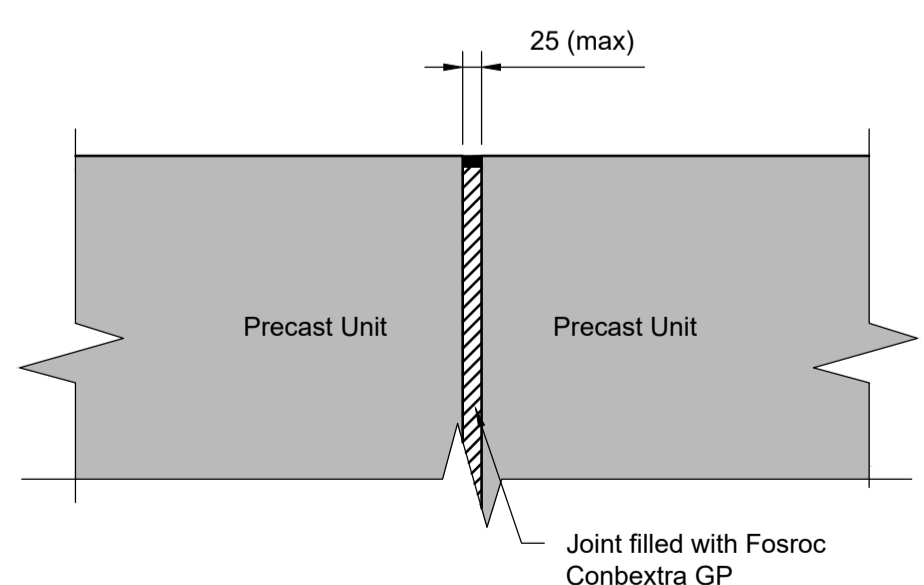
Section A
Scale 1:20



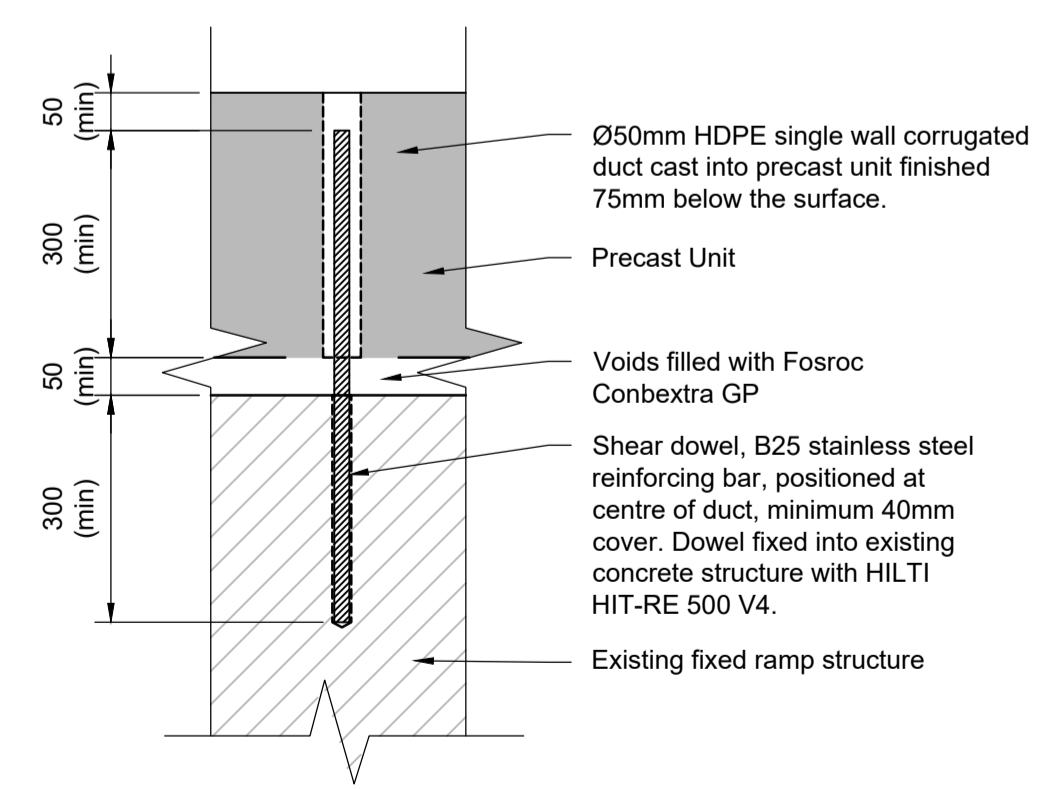
Elevation B
Scale 1:20



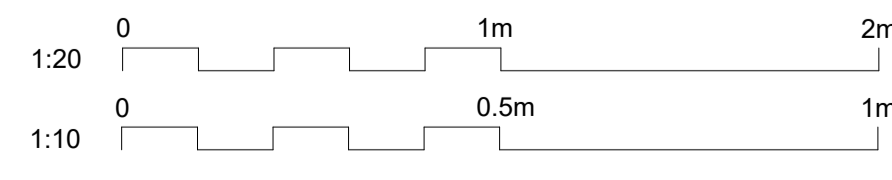
Cross Section C
Scale 1:20

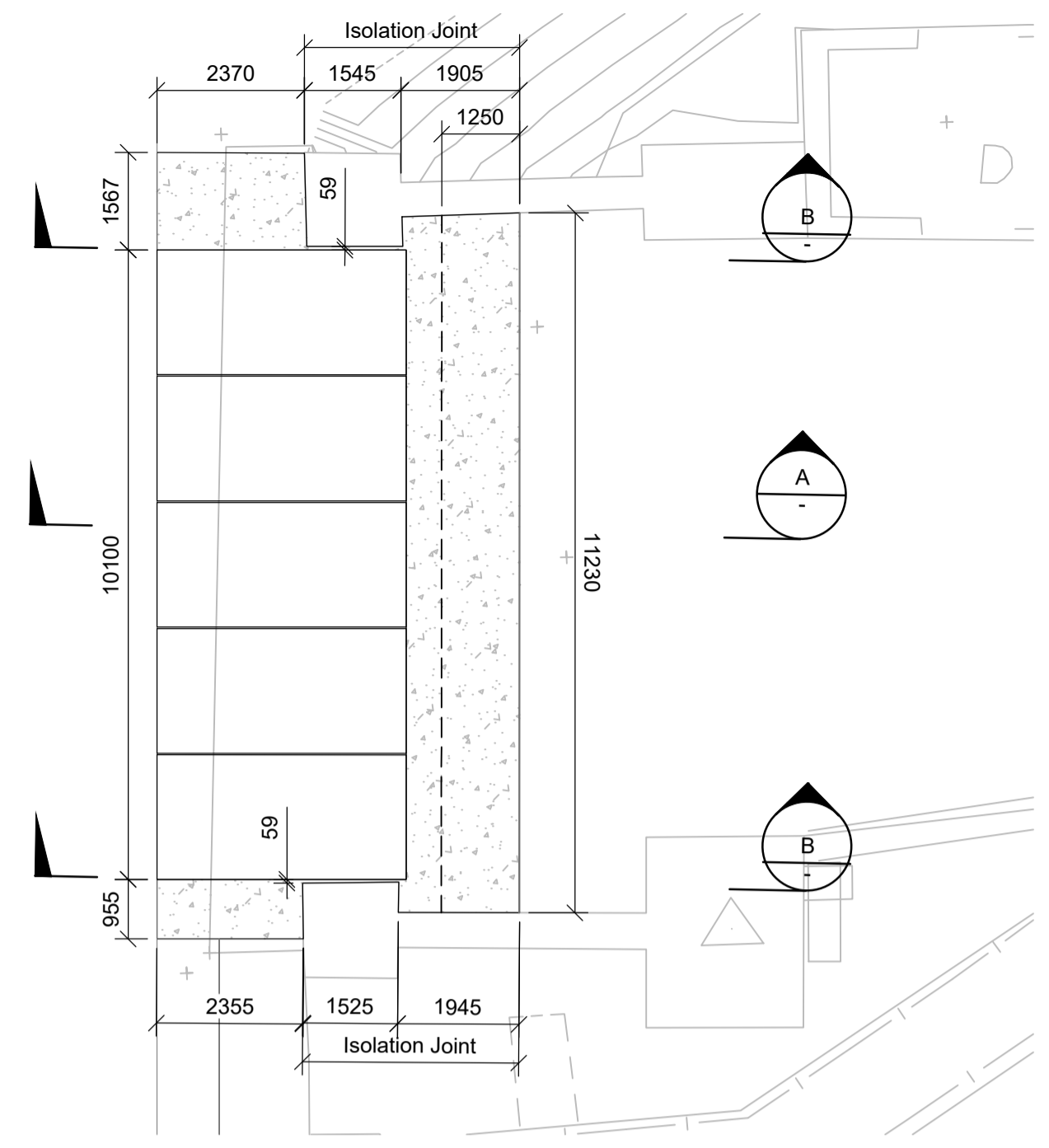


Construction Joint
Scale 1:10

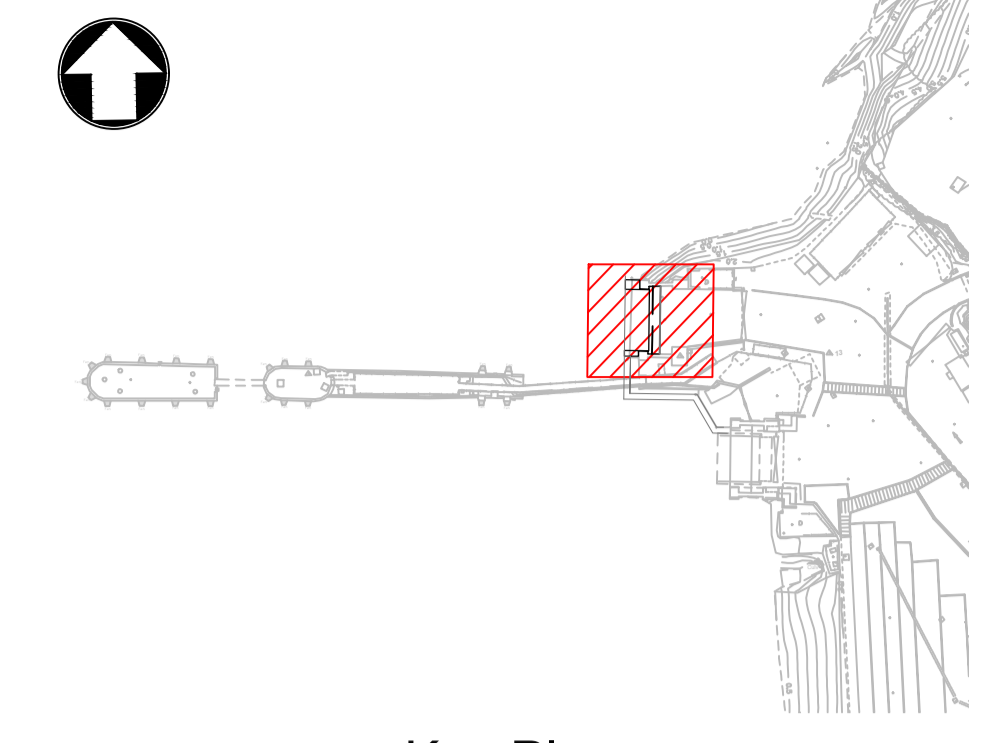


Detail A
Scale 1:10





In-Situ Plan
Scale 1:100



Key Plan
Scale 1:1250

- Notes**
1. This drawing shall be read in conjunction with the Specification.
 2. The Project Manager shall be notified immediately of any discrepancy encountered on site.
 3. All dimensions are in millimetres (mm) unless noted otherwise.
 4. The drawing shall not be scaled. FOLLOW WRITTEN DIMENSIONS ONLY.
 5. Levels are in metres relative to Chart Datum (CD) unless noted otherwise.
 6. At Kennacraig, Chart Datum is 0.4m below Ordnance Datum.
 7. Dimensions followed by an asterisks are to be confirmed by the contractor on site.
 8. Notes followed by + denote items that are to be in accordance with manufacturers recommendations.

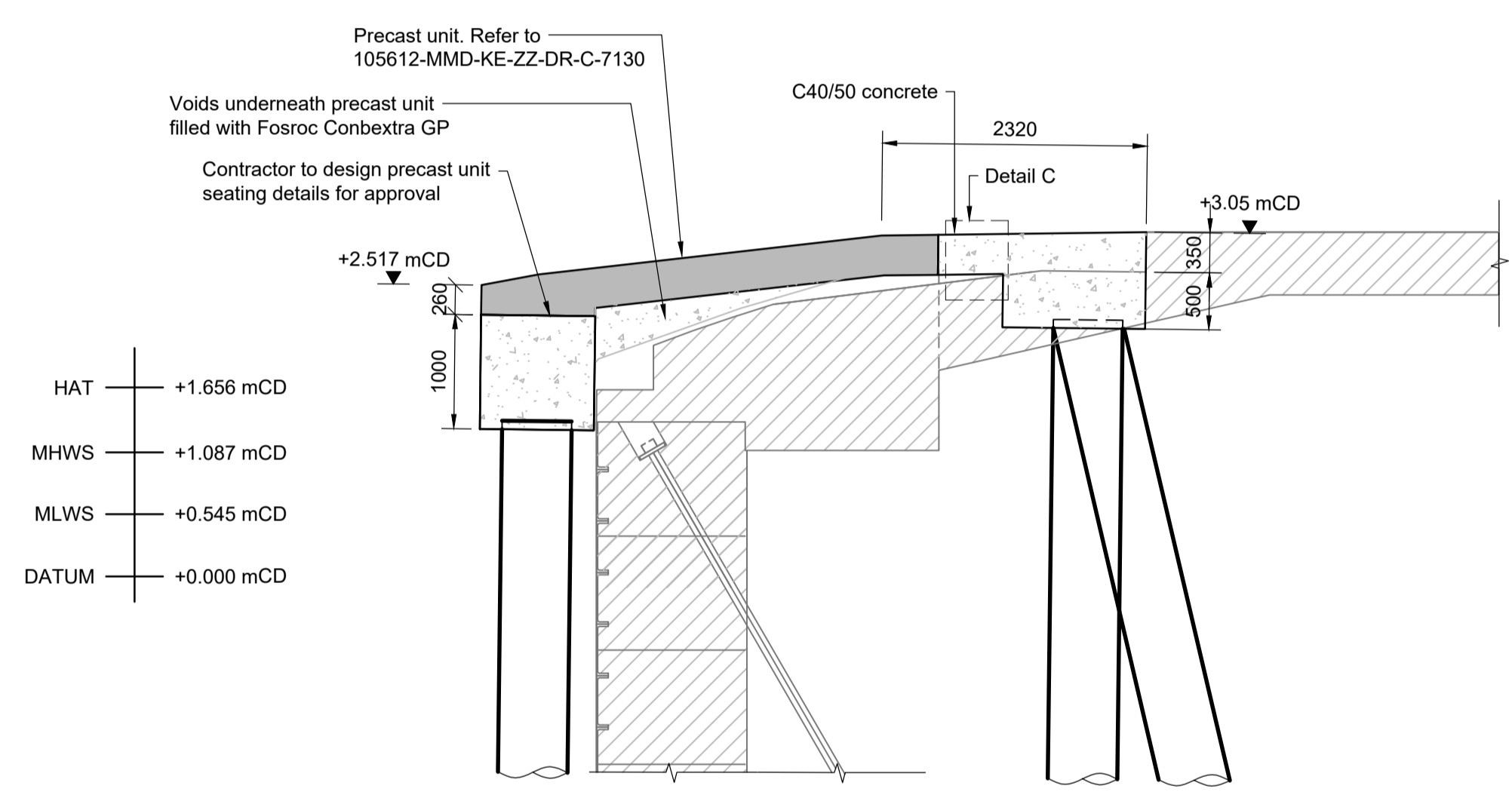
Key to symbols

	Existing Fixed Ramp Structure
	In Situ Concrete
	Precast Concrete

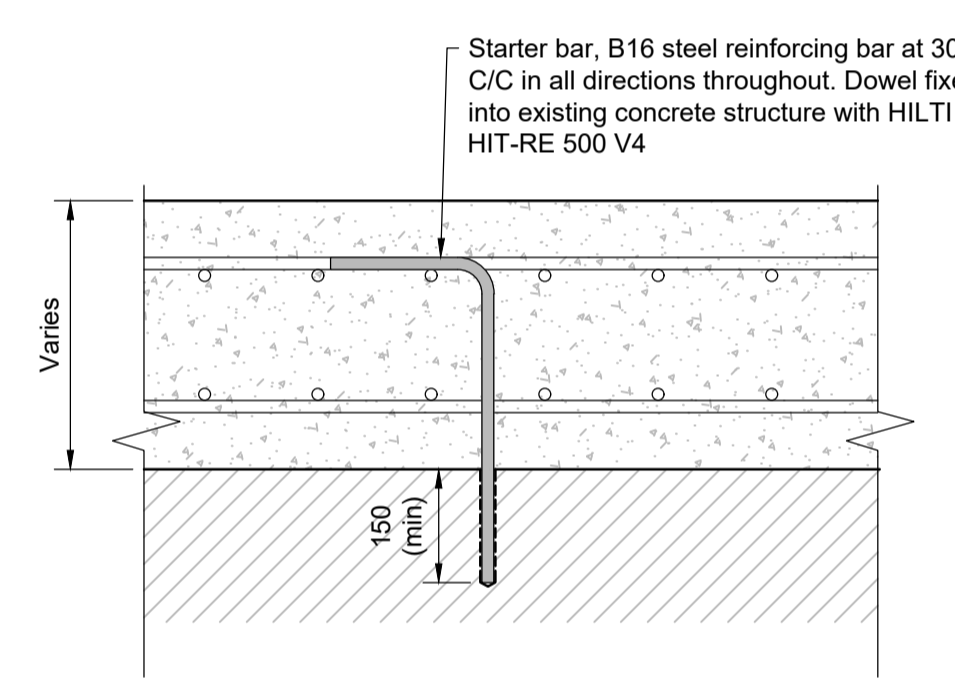
Reference drawings

External Drawings:
 Topographical Survey
 Reference: A8287-CD
 Date of Survey: 26.07.2022
 New Fixed Ramp Details
 Halcrow Dwg DS-CFMC-110-153

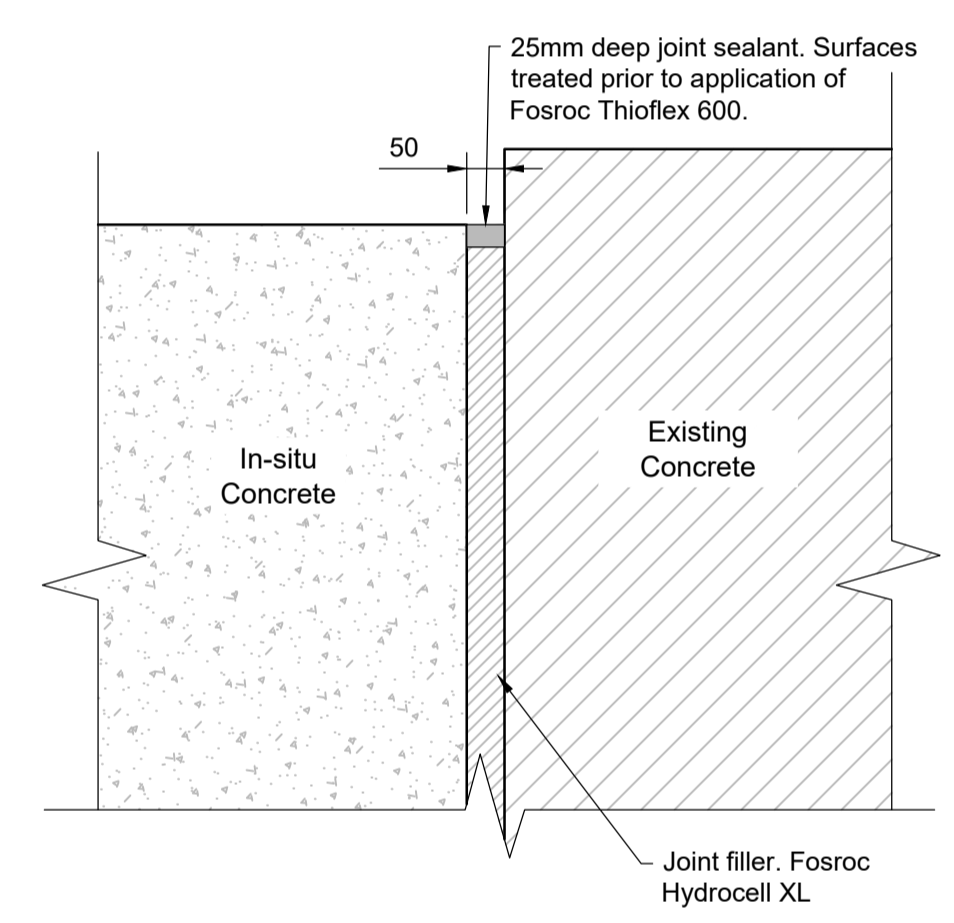
Reference Drawings:
 105612-MMD-KE-ZZ-DR-C-0270 Fixed Ramp Demolition
 105612-MMD-KE-ZZ-DR-C-7100 Fixed Ramp General Arrangement
 105612-MMD-KE-ZZ-DR-C-7130 Fixed Ramp Precast Concrete Details



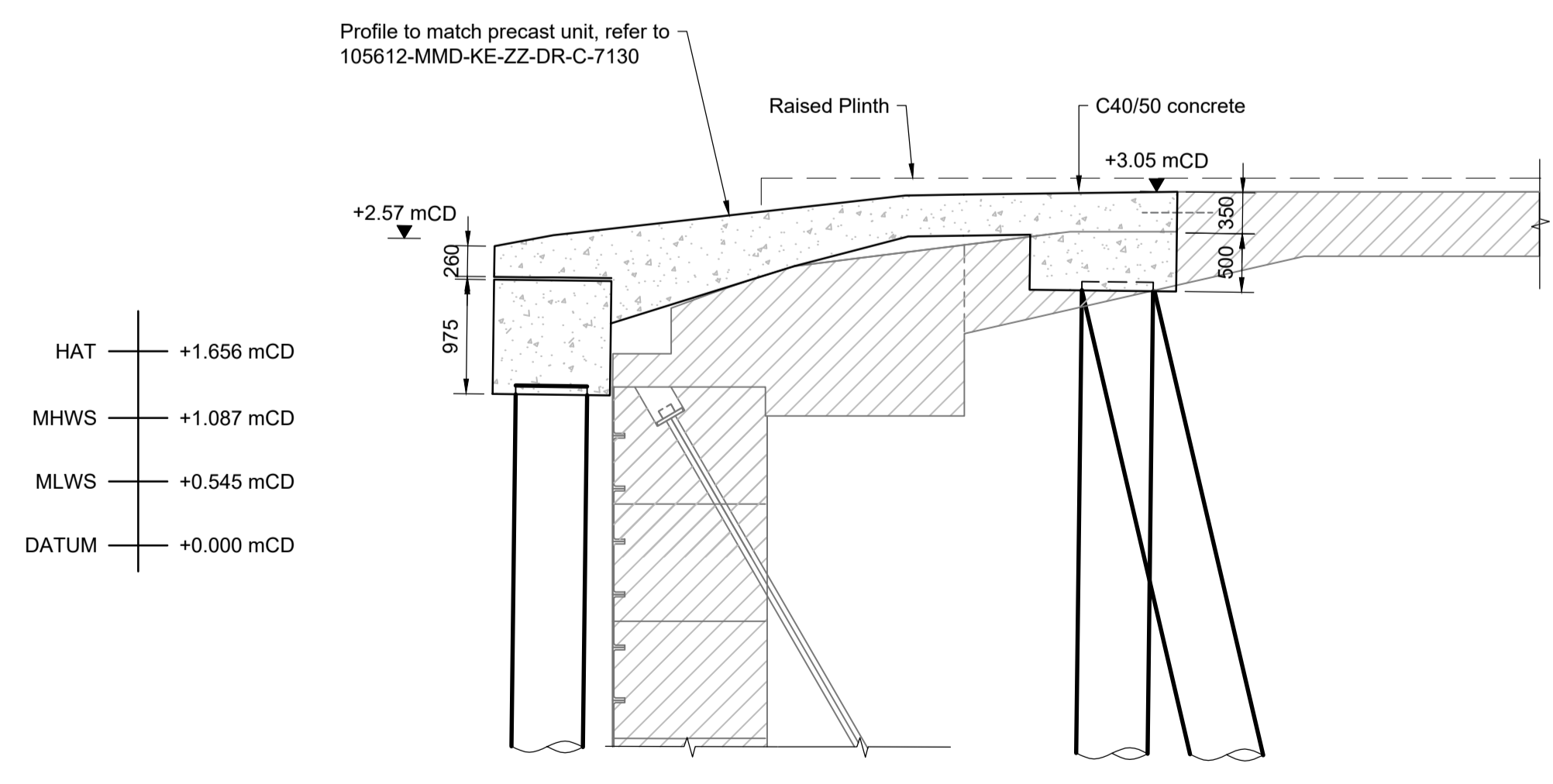
Section A
Scale 1:50



Detail C
Scale 1:10



Isolation Joint
Scale 1:10



Section B
Scale 1:50

C01	17.03.23	CC	Tender Issue	BR	CO
Rev	Date	Drawn	Description	Ch'k'd	App'd


Status Stamp **TENDER**

MOTT MACDONALD

St Vincent Plaza
 319 St Vincent Street
 Glasgow, G2 5LD
 United Kingdom

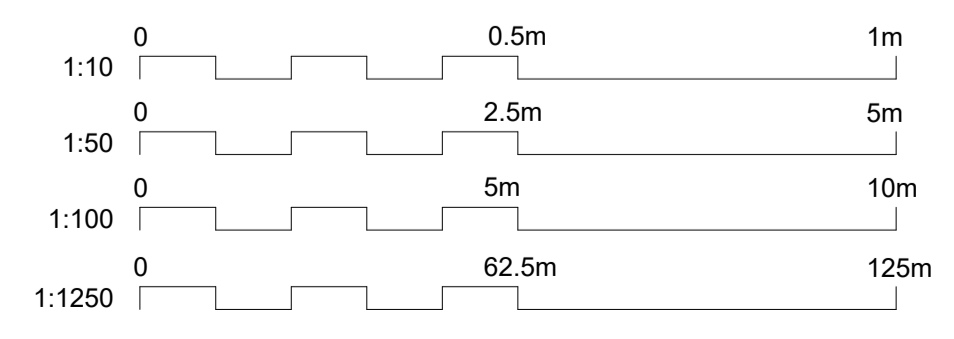
T +44 (0)141 222 4500
 F +44 (0)141 221 2048
 W mottmac.com

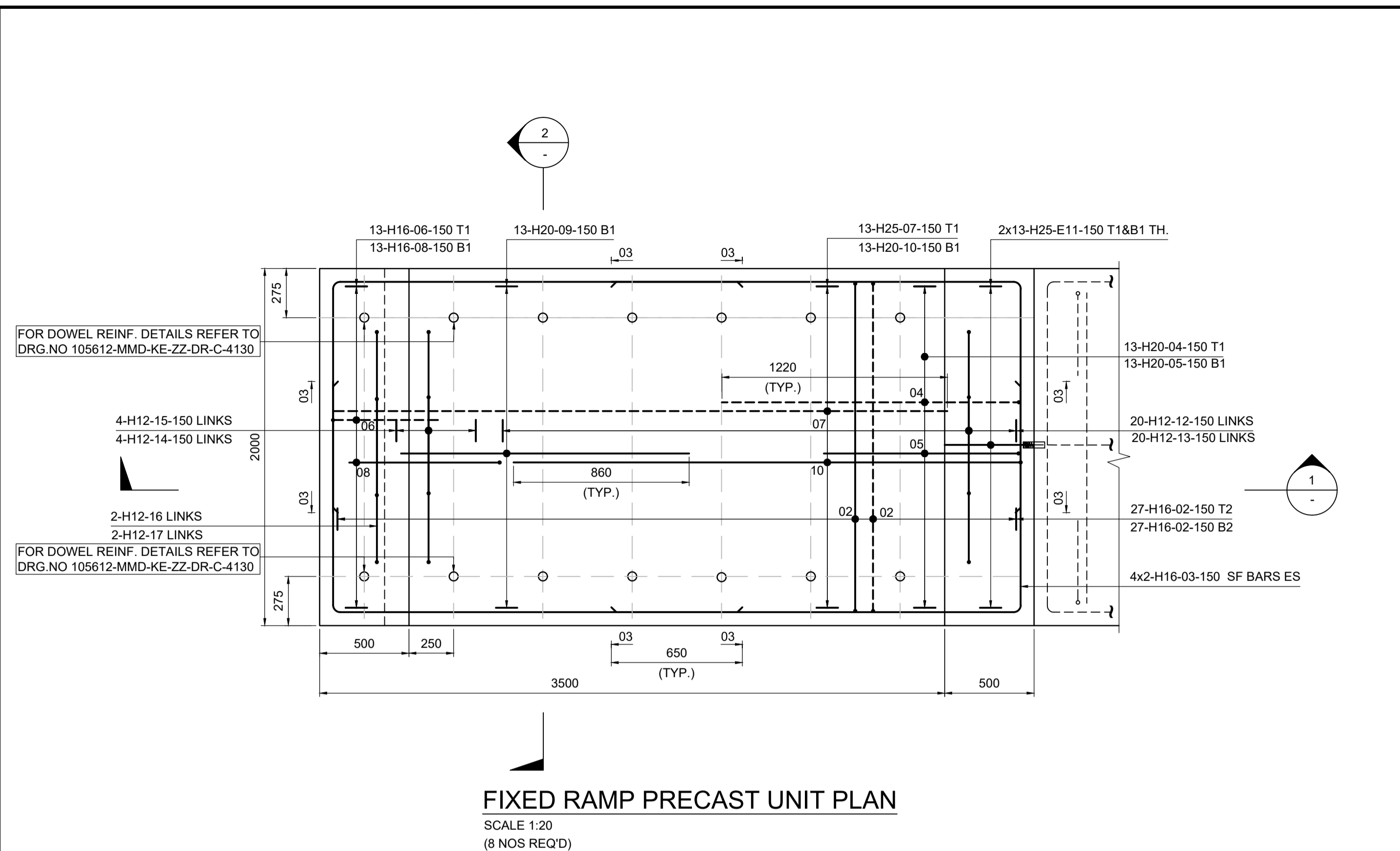
Client
Caledonian Maritime Assets Limited
 Municipal Buildings
 Fore Street
 Port Glasgow
 PA14 5EQ



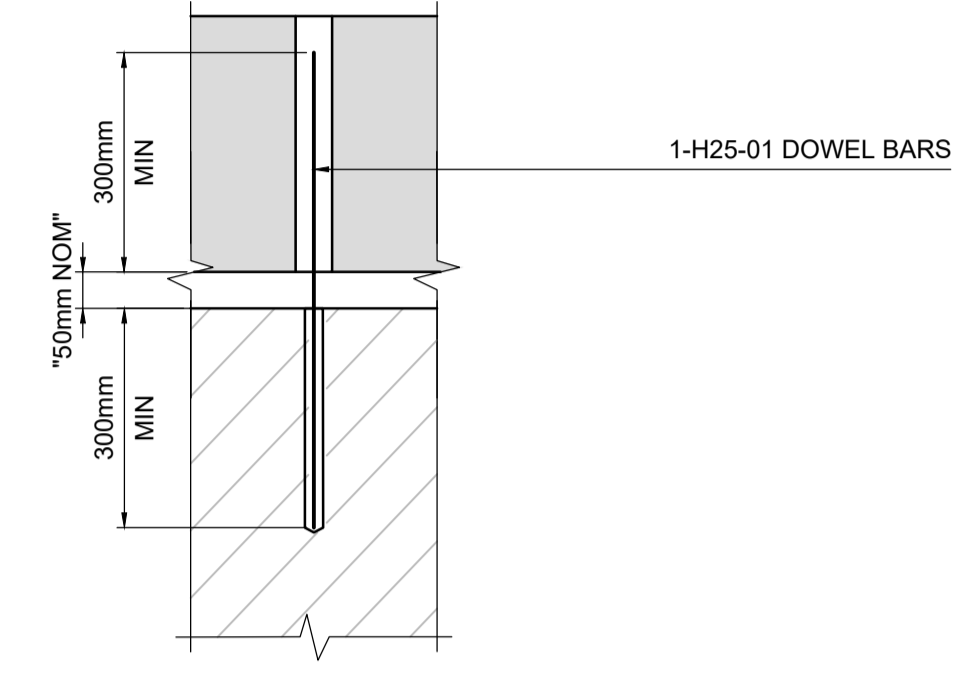
Title
New Islay Vessel Port Enabling Works
Kennacraig Ferry Terminal
Fixed Ramp
RC Details

Designed	R. Macrae	RM	Eng check	B. Radcliffe	BR
Drawn	L. Marini	LM	Coordination	G. Mather	GM
Dwg check	D. Brunner	DB	Approved	C. Ohi	CO
MMD Project Number	105612	Scale at A1	As Indicated	Security	STD
Suitability Description	Authorised and Accepted				Suit. Code
Drawing Number	105612-MMD-KE-ZZ-DR-C-7140				Rev
					C01

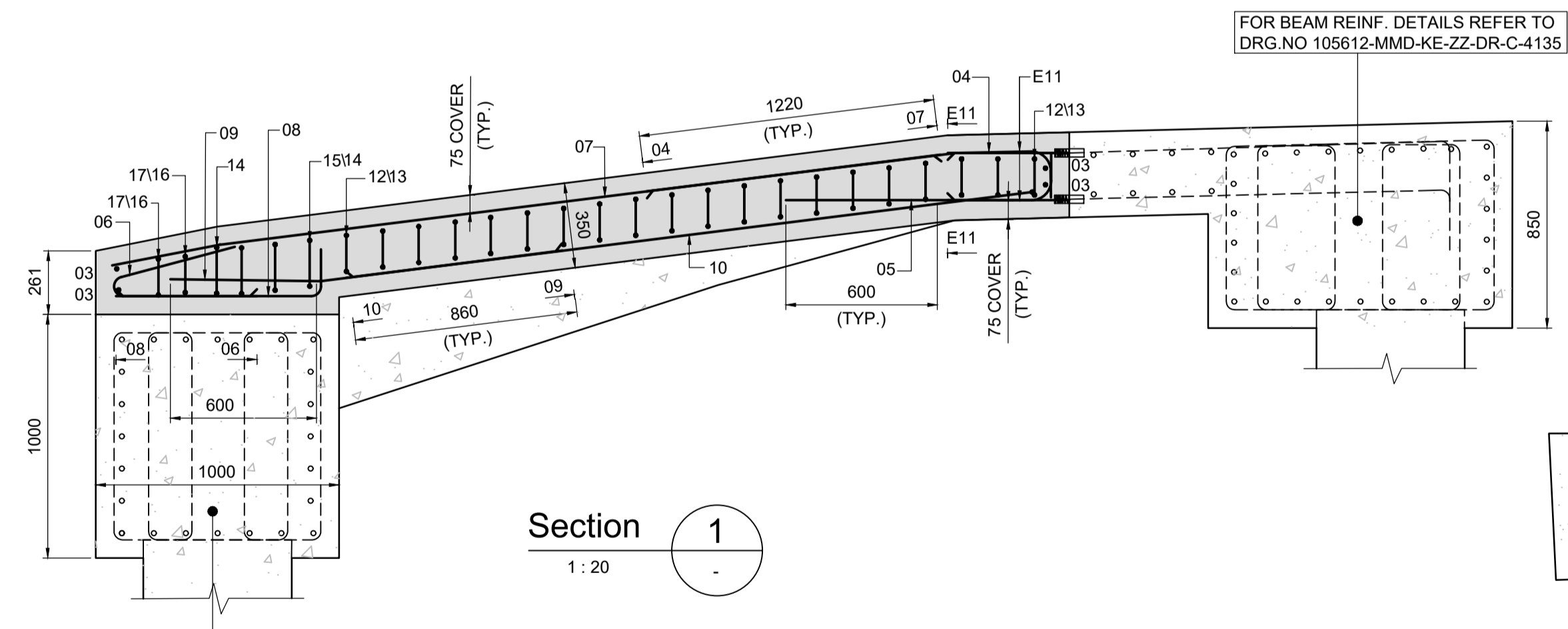




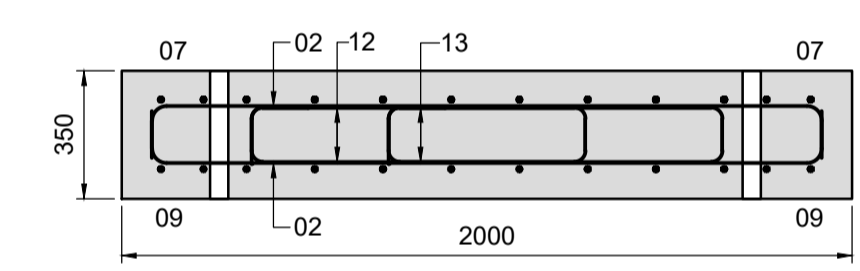
FIXED RAMP PRECAST UNIT PLAN
SCALE 1:20
(8 NOS REQD)



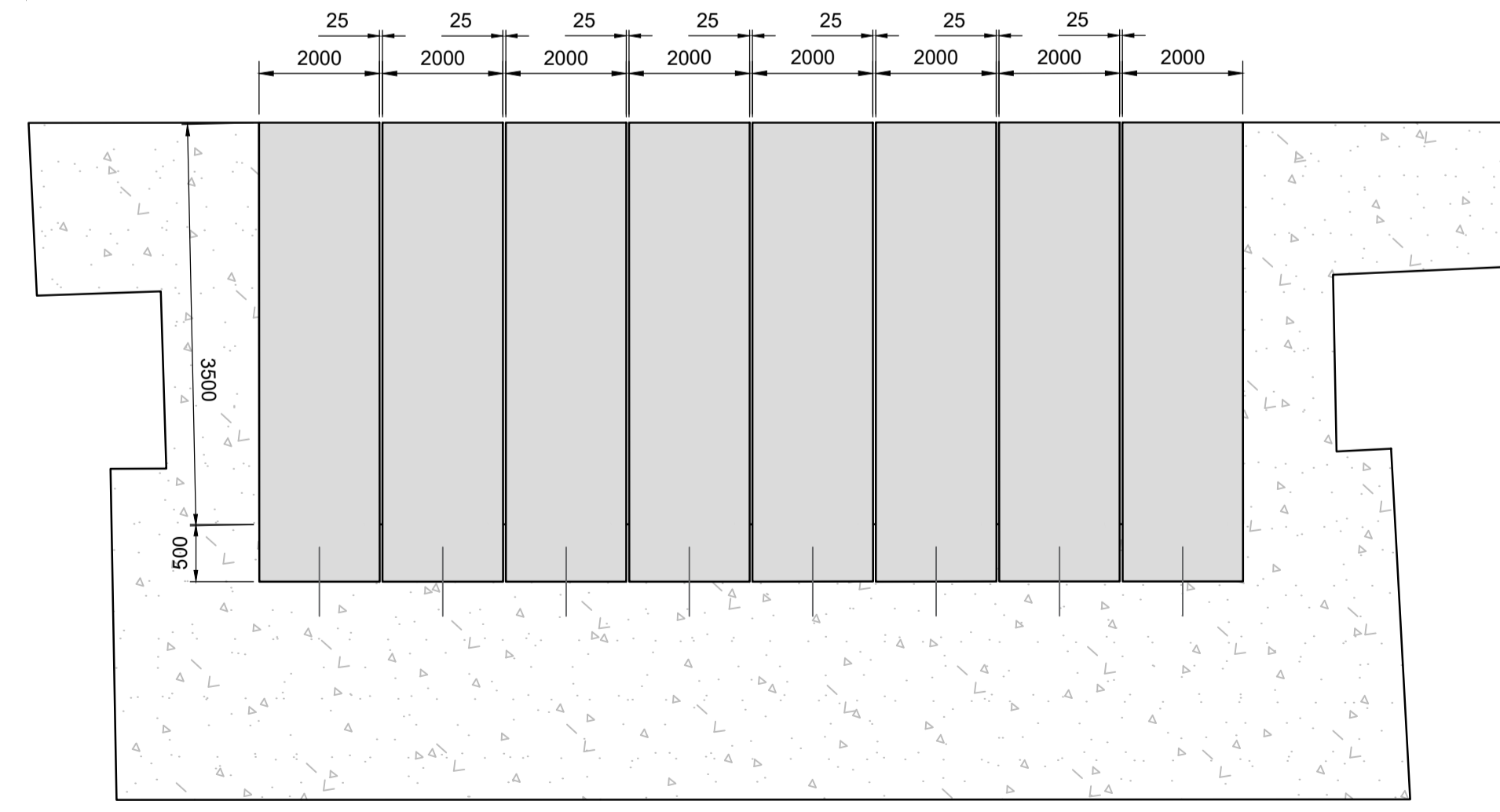
SHEAR HOLE DETAILS
SCALE 1:20
(10 No. PER UNIT)



Section 1
1:20



Section 2
1:20



KEY PLAN
NTS

Notes

- All dimensions are in millimetres unless otherwise noted.
- This drawing is to be read in conjunction with bar bending schedule No. 105612-MMD-KE-ZZ-SH-C-7150 Sheet 01.

RC Notes

- All reinforcement bars shall be grade B500B in accordance with BS4449:2005, yield strength $f_y = 500\text{N/mm}^2$.
- Reinforcement shall be firmly supported on chairs or concrete blocks supplied by the contractor in accordance with the requirements of BS 7973.
- Bars shall be tied at alternate intersections. Welding of reinforcement shall not be permitted.
- Bars are evenly distributed over the area indicated unless noted otherwise.
- All reinforcement shall be bent in accordance with BS8666:2005.
- Concrete to be Type C1.
- Concrete Cover (Unless noted otherwise) 75mm - Top, Bottom and Sides, 65mm - Min.
- Minimum reinforcement laps to be as per below table(s). For beam minimum (100%) lap length shall be in accordance with the table below unless noted otherwise

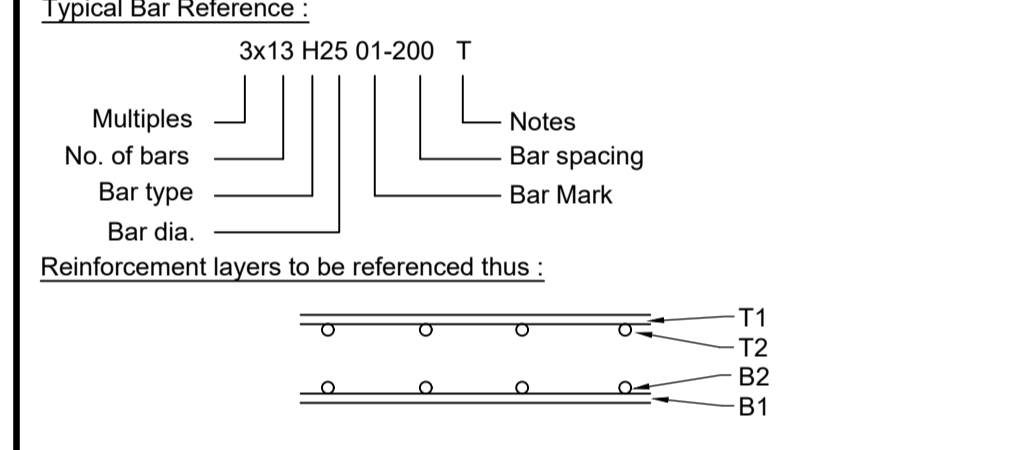
Bar dia (mm)	10	12	16	20	25	32
Bottom	350	450	650	860	1110	1420
Top	500	640	930	1220	1590	2030

For beam minimum (100%) anchorage shall be in accordance with the table below unless noted otherwise

Bar dia (mm)	10	12	16	20	25	32
Bottom	300	360	480	600	740	950
Top	430	510	680	850	1060	1350

Key to symbols

- Reinforcement Abbreviation :
- TOB = Top of Beam
 - ES = Each Side
 - EF = Each Face
 - SSL = Structural Slab Level
 - T = Top
 - B = Bottom
 - SF = Side Face Bar
 - V = Vertical
 - TLL = Top Long Leg
 - THK = Thick
 - TYP = Typical
- Typical Bar Reference :



C01	31.03.2023	KME	Tender Issue	MP	CO
Rev	Date	Drawn	Description	Ch'k'd	App'd


TENDER

MOTT MACDONALD

St Vincent Plaza
319 St Vincent Street
Glasgow, G2 5LD
United Kingdom

T +44 (0)141 222 4500
F +44 (0)141 221 2048
W mottmac.com

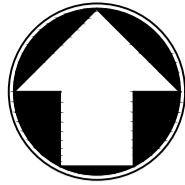
Client
Caledonian Maritime Assets Limited
Municipal Buildings
Fore Street
Port Glasgow
PA14 5EQ



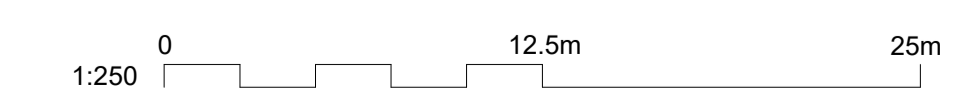
**New Islay Vessel Port Enabling Works
Kennacraig
RC Details of
Fixed Ramp Precast Units**

Designed	M. Purvis	MP	Eng check	B. Radcliffe	BR
Drawn	E. Kanmani	KME	Coordination	G. Mather	GM
Dwg check	B. Radcliffe	BR	Approved	C. Ohi	CO
MMD Project Number	105612	Scale at A1	As Indicated	Security	STD
Suitability Description	Authorised and Accepted				Suit. Code A1
Drawing Number	105612-MMD-KE-ZZ-DR-C-7150				Rev C01

© Mott MacDonald
This document is issued for the party which commissioned it and for specific purposes connected with the captioned project only. It should not be relied upon by any other party or used for any other purpose.
We accept no responsibility for the consequences of this document being relied upon by any other party, or being used for any other purpose, or containing any error or omission which is due to an error or omission in data supplied to us by other parties.
C:\Users\CAM101640\Mott MacDonald\105612 Islay - Do\00 DR - Drawings\WIP_KE Kennacraig\105612-MMD-KE-ZZ-DR-C-7150.dwg Apr 12, 2023 - 2:44PM CAM101640



Plan
Scale 1:250



- Notes
- Do Not Scale from this Drawing.
 - All dimensions are in millimeters unless otherwise stated;
 - This drawing is to be read in conjunction with all other services and Civil and Structural drawings as part of this package.
 - All Existing Services are recorded on this drawing as per the Utility Mapping Survey File : A8404, Dated 14.11.2022 provided by Aspect Surveys. MML take no responsibility for the accuracy of this survey information and all service routes shall be confirmed by the contractor where they interfere with proposed excavations.
 - The new Shore Power cabling route is to be installed via 8no. 150mm Inside Diameter ducts. Ducts are to be Rigid HDPE type. For ducting and Inspection chamber detail please refer to drawing 105612-MMD-KE-ZZ-DR-C-6120.
 - Shore power cabling is to pop up within a new 5m x 5m GRP enclosure to house CMAL Switchgear. Cabling to terminate on a new LV Switchboard, rated at 1600A on the busbar. Switchboard to be of Form 4 Type 6 construction.
 - A new 5m x 5m packaged substation is to be provided on the site by SSEN. A single LV Supply shall be provided from the substation to the new CMAL electrical Enclosure to provide a power supply to the site. The Contractor is responsible for installing free issue cabling from SSEN between SSEN and CMAL Switchgear via dedicated 150mm ID ducts.

Key to symbols

LEGEND

Surface Water Drainage	—SD-B1—
Foul Water Drainage	—FD-B1—
Combined Water Drainage	—CD-B1—
Mains Water	—W-B1—
Electricity Cable	—E-B1—
Low Voltage Electricity Cable	—LV-B1—
High Voltage Electricity Cable	—HV-B1—
Street Lighting Cable	—SL-B1—
Traffic Control Cable	—TC-B1—
Gas	—GAS-B1—
Empty Utility Duct	—ED-B1—
Cable TV	—TV-B1—
BT Cable	—BT-B1—
Fibre Optic	—FO-B1—
Telecomms	—T-B1—
Unknown Utility	—U-B1—
Unknown GPR Trace	—GPR-B1—
Survey Extents	—SE—
New Inspection Chamber	—IC—

PAS 128:2022 DETECTION QUALITY LEVELS = A, B1P, B1, B2P, B2, B3P, B3, B4, C, D
 D = Taken from desktop utility record search.
 C = Location of utility is demonstrated by visual reference to street furniture, topographical features or evidence of previous street works (visible trench/scar)
 B4 = Assumed route
 B3 = Horizontal location only of the utility detected by one of the geophysical techniques.
 B2 = Horizontal & vertical location of the utility detected by one geophysical technique.
 B1 = Horizontal & vertical location of the utility detected by two geophysical techniques.
 A = Visual verification

Reference drawings

Utility Mapping Survey File : A8404, Dated 14.11.2022

105612-MMD-KE-ZZ-DR-E-9001 - General Arrangement Electric Shore Power Sheet 2
 105612-MMD-KE-ZZ-DR-E-9002 - Shore Power Cabling Sections and Elevations
 105612-MMD-KE-ZZ-DR-E-9200 - CMAL Switchroom General Arrangement
 105612-MMD-KE-ZZ-DR-E-9100 - LV Schematic
 105612-MMD-KE-ZZ-DR-C-3400 - Shore Power General Arrangement
 105612-MMD-KE-ZZ-DR-C-3410 - Shore Power Plan & Sections
 105612-MMD-KE-ZZ-DR-C-3440 - Cable Bridge (Onshore to inner Dolphin)
 105612-MMD-KE-ZZ-DR-C-3450 - Cable Bridge (Middle Dolphin to Outer Dolphin)
 105612-MMD-KE-ZZ-DR-C-6120 - Paving Manholes and ducting

C01	17.03.2023	AW	Tender Issue	JS	WS
Rev	Date	Drawn	Description	Ch'k'd	App'd


Status Stamp

TENDER

M MOTT MACDONALD	St Vincent Plaza 319 St Vincent Street Glasgow, G2 5LD United Kingdom
	T +44 (0)141 222 4500 F +44 (0)141 221 2048 W mottmac.com

Client

Caledonian Maritime Assets Limited
Municipal Buildings
Fore Street
Port Glasgow
PA14 5EQ



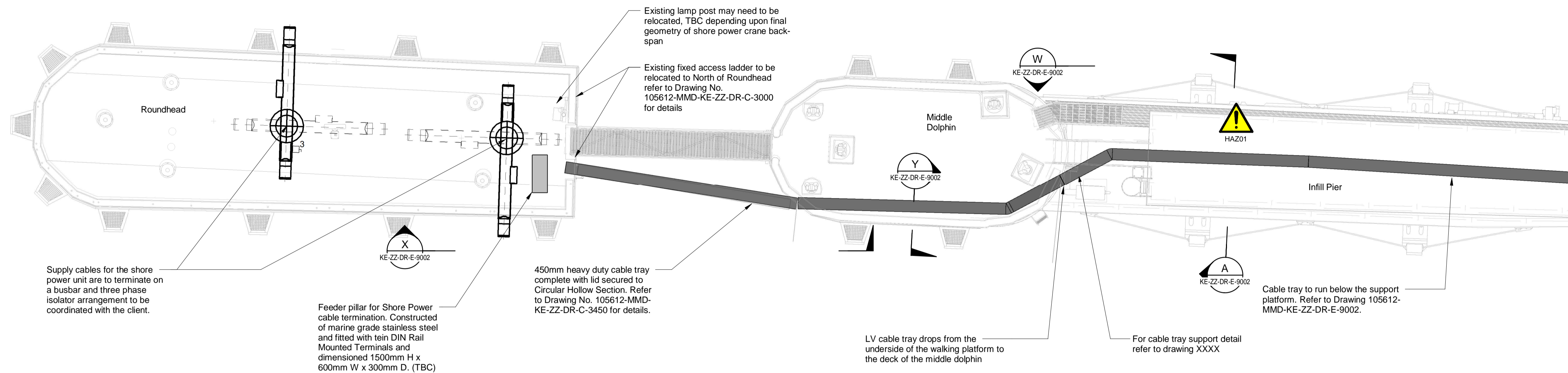
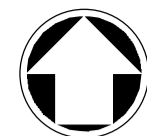
Title

New Islay Vessel Port Enabling Works
Kennacraig
Shore Power Cabling General Arrangement
Sheet 01 of 02

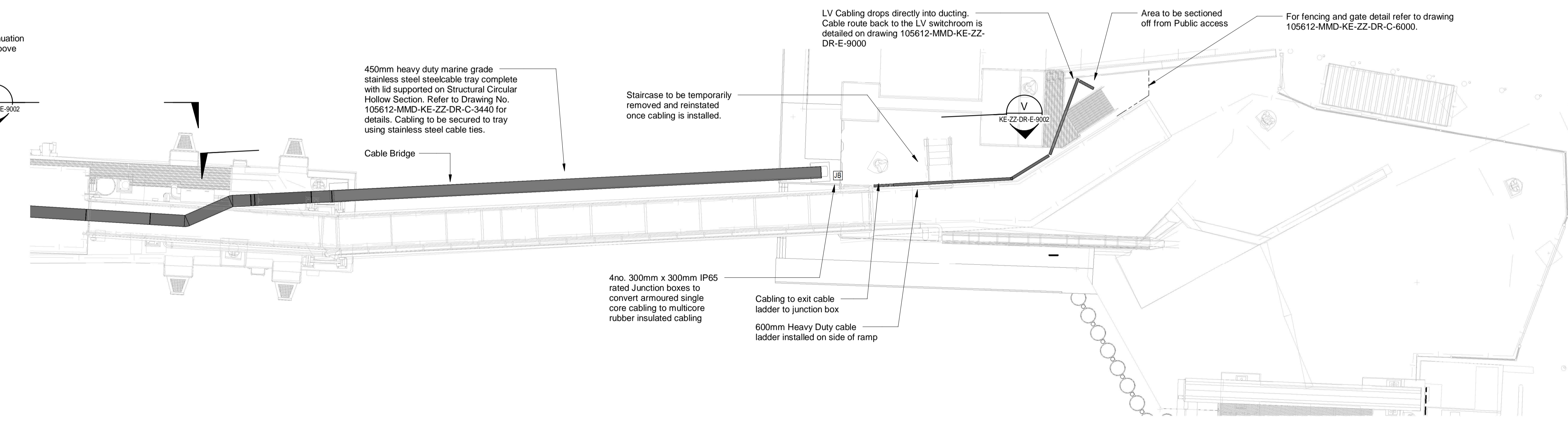
Designed	A. Wood	AW	Eng check	J. Willock	JW
Drawn	A. Wood	AW	Coordination	B. Radcliffe	BR
Dwg check	A. Wood	AW	Approved	W. Stevenson	WS

MMD Project Number	Scale at A1	Security
105612	1:250	STD
Suitability Description	Suit. Code	
Authorised and Accepted	A1	
Drawing Number	Rev	
105612-MMD-KE-ZZ-DR-E-9000	C01	

© Mott MacDonald
 This document is issued for the party which commissioned it and for specific purposes connected with the captioned project only. It should not be relied upon by any other party or used for any other purpose.
 We accept no responsibility for the consequences of this document being relied upon by any other party, or being used for any other purpose, or containing any error or omission which is due to an error or omission in data supplied to us by other parties.



Plan
1 : 100



Plan
1 : 100

- Notes**
1. Do Not Scale from this Drawing.
 2. All dimensions are in millimeters unless otherwise stated.
 3. This drawing is to be read in conjunction with all other services and Civil and Structural drawings as part of this package.
 4. The new Shore Power cabling route is to be installed via 8no. 150mm Inside Diameter ducts. Ducts are to be Rigid HDPE type. For ducting and Inspection chamber detail please refer to drawing 105612-MMD-KE-ZZ-DR-C-6120.
 5. Shore Power cabling is to leave the shoreline mounted on 450mm heavy duty marine grade stainless steel cable tray. Cabling to be secured to the tray via stainless steel cable ties.
 6. Cable tray is to be supported on hollow steel circular sections to branch the gap between the shore line and the dolphins. Supports for the tray are to be mounted every meter. For further information on the cable bridges refer to drawing 105612-MMD-KE-ZZ-DR-C-3440 and 105612-MMD-KE-ZZ-DR-C-3450 for details.
 7. The contractor is to coordinate final cable connections with the manufacturer for the Shore Power Unit.

Key to symbols

	Three Phase Isolator
	Junction Box



Rev	Date	Drawn	Description	Ch'k'd	App'd
C02	22.03.2023	CC	Tender Issue	AW	CO
C01	17.03.2023	CG	Tender Issue	AW	WS

Status Stamp


TENDER

MOTT MACDONALD

Mott MacDonald
St Vincent Plaza
319 St Vincent Street
Glasgow, G2 5LD
United Kingdom

T +44 (0)141 222 4500
F +44 (0)141 221 2048
W mottmac.com

Client
Caledonian Maritime Assets Limited
Municipal Buildings
Fore Street
Port Glasgow
PA14 5EQ



Title
New Islay Vessel Port Enabling Works
Kennacraig
Shore Power Cabling General Arrangement

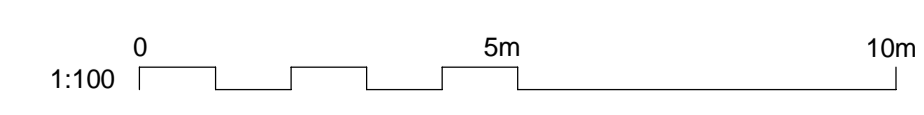
Designed	A.Wood	A.W.	Eng. Check	J.Willock	J.W.
Drawn	C.Glasheen	C.G.	Coordination	B.Radcliffe	B.R.
Dwg. Check	A.Wood	A.W.	Approved	W.Stevenson	W.S.
MMD Project Number	105612	Scale at A1	1:100	Security	STD
Suitability Description	Authorised and Accepted				Suit. Code A1
Drawing Number	105612-MMD-KE-ZZ-DR-E-9001				Rev C02

SAFETY, HEALTH AND ENVIRONMENTAL INFORMATION

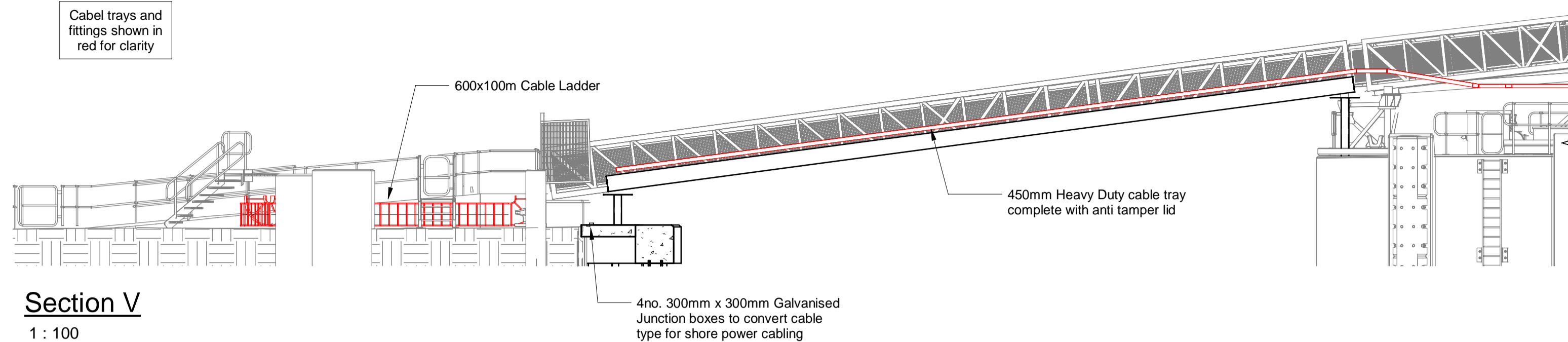
It is a requirement that only experienced and competent contractors carry out the work described, using a recognised safe method of working. The following are specific significant residual risks identified by the designer and are additional to those hazards/risks normally associated with this type of work.

CONSTRUCTION:
01 - Reduced Head Height

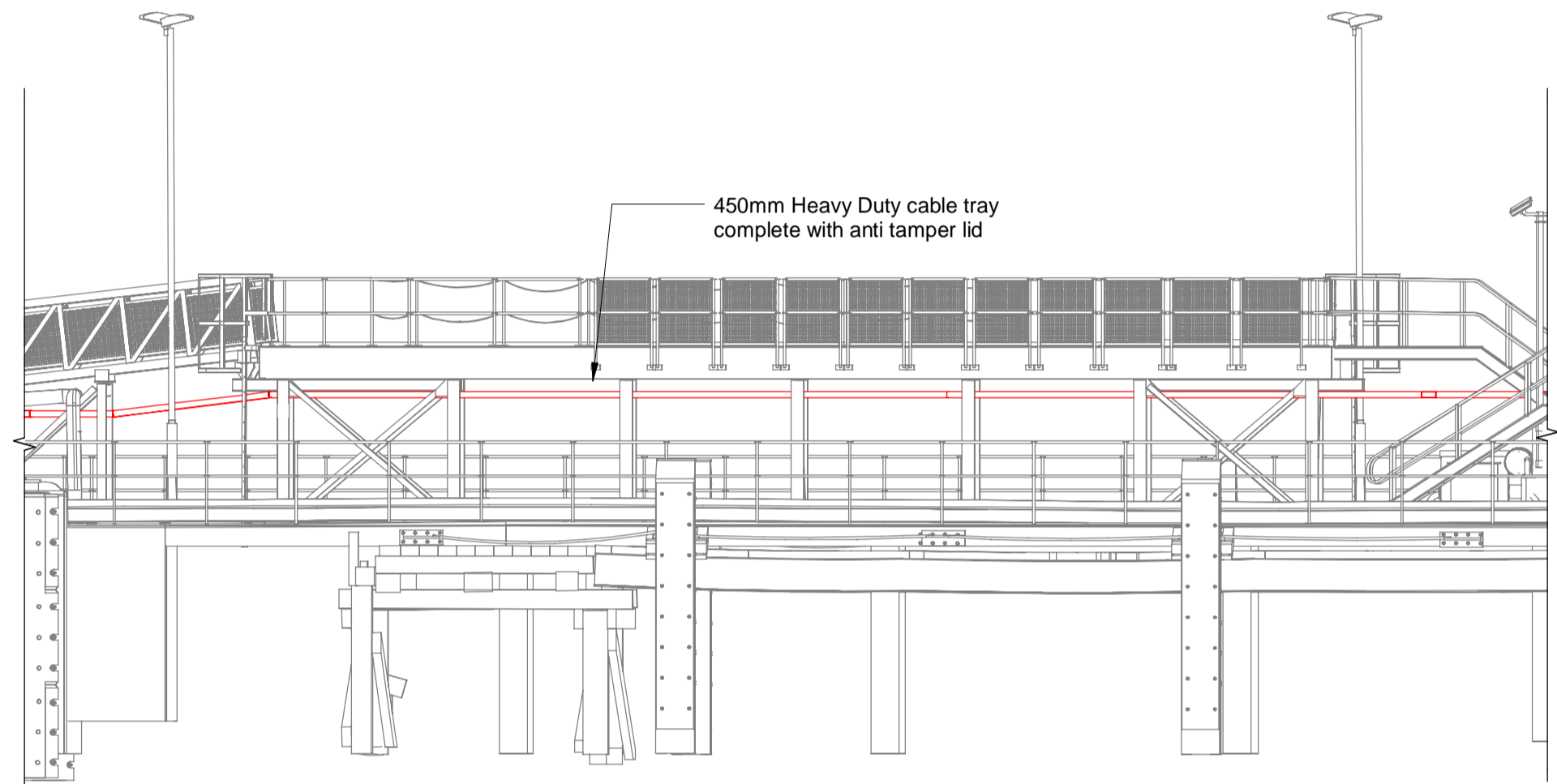
OPERATIONS:
N/A



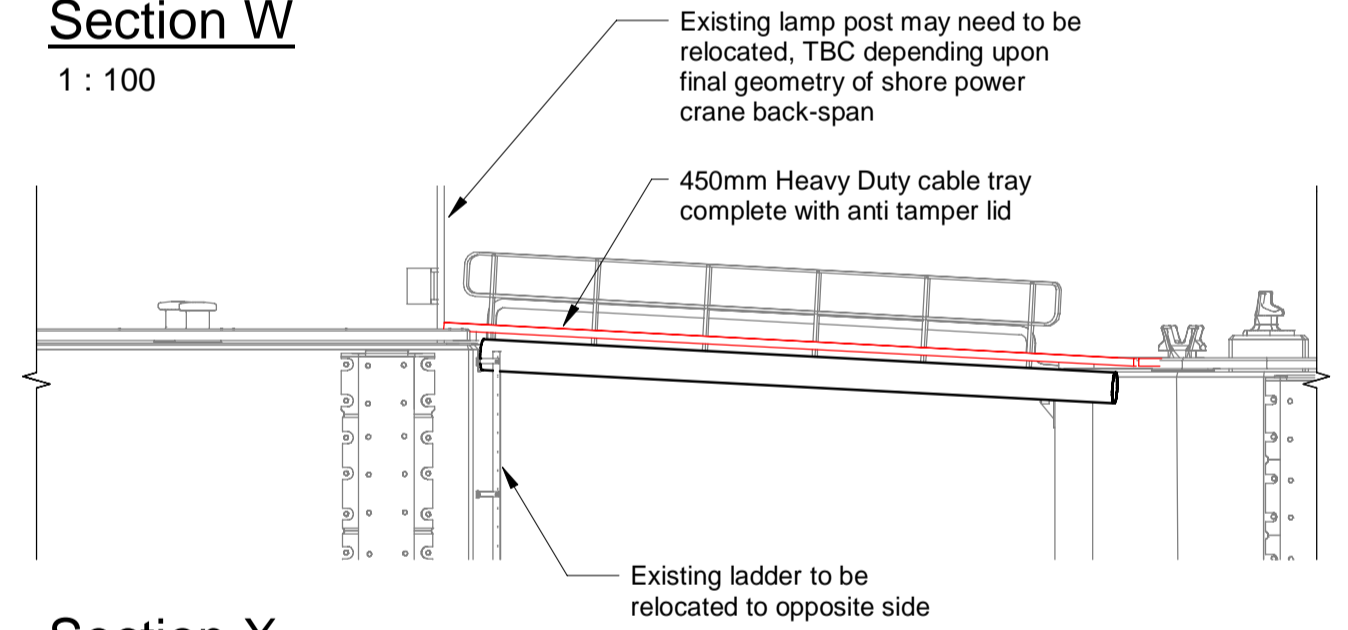
Cable trays and fittings shown in red for clarity



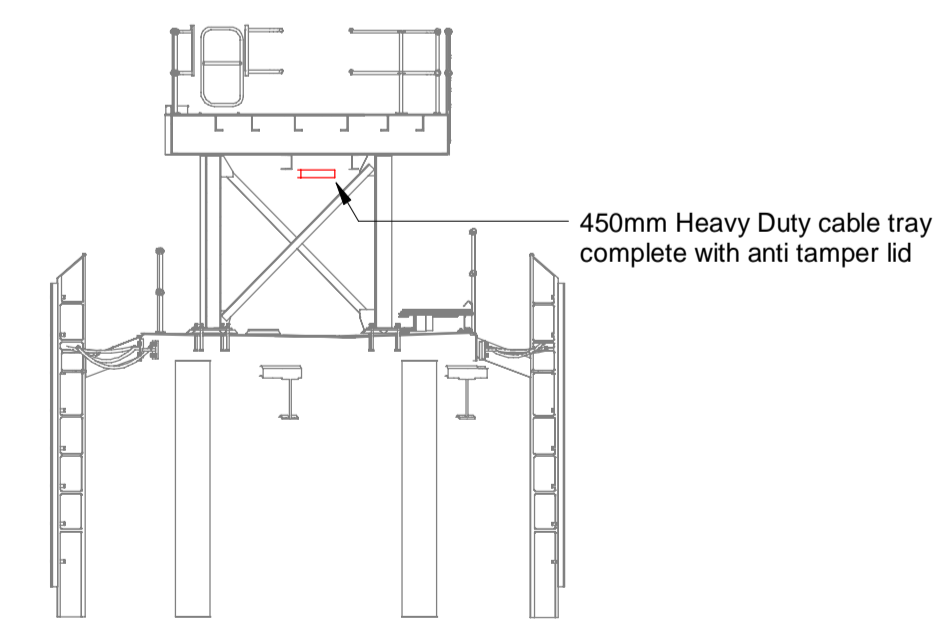
Section V
1 : 100



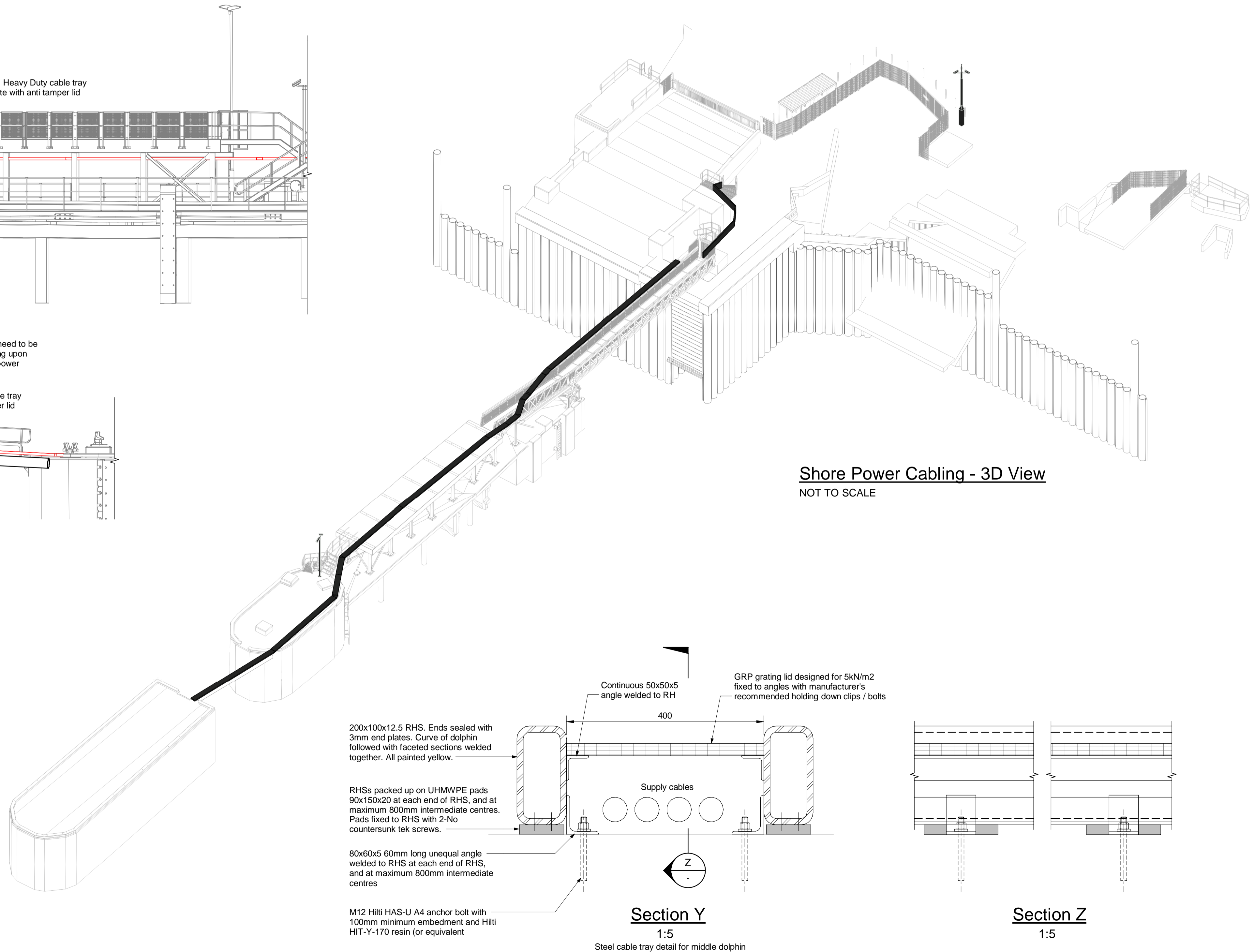
Section W
1 : 100



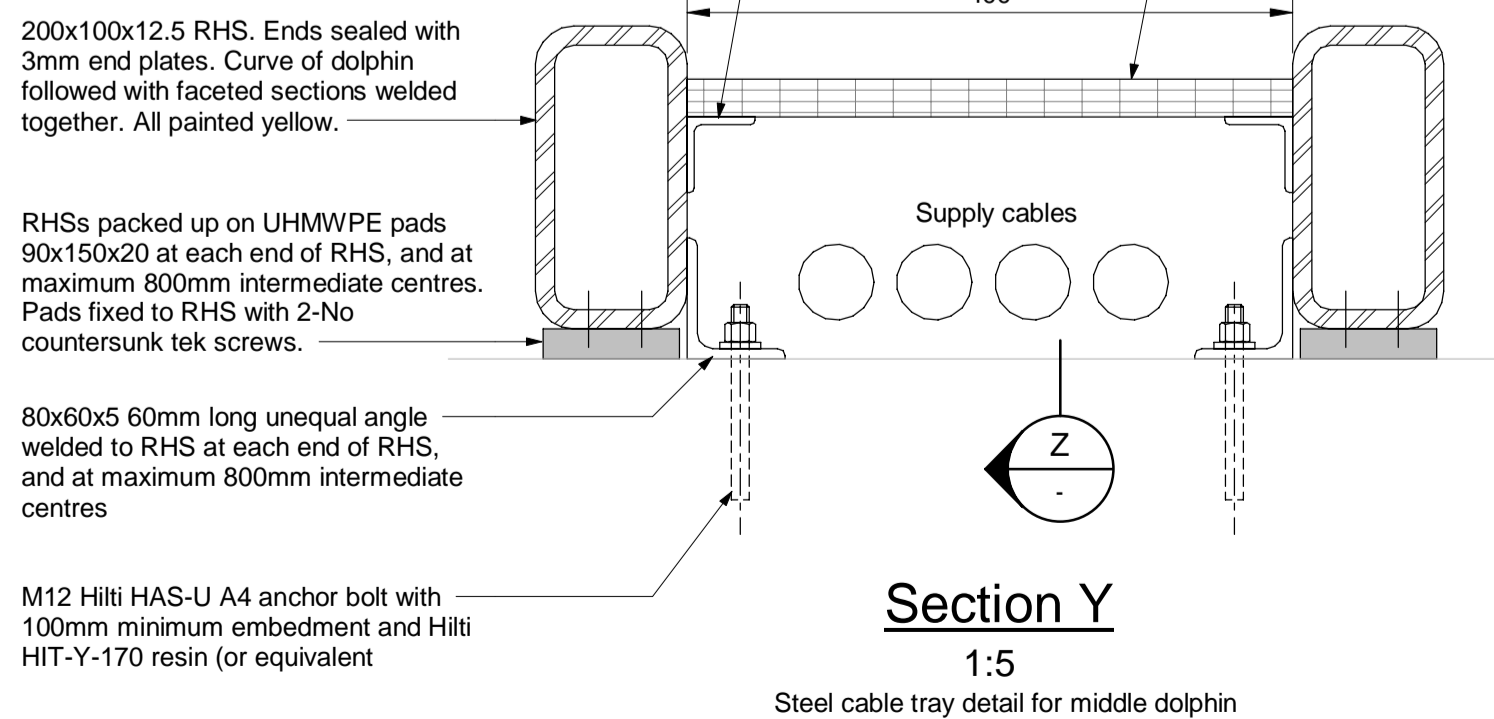
Section X
1 : 100



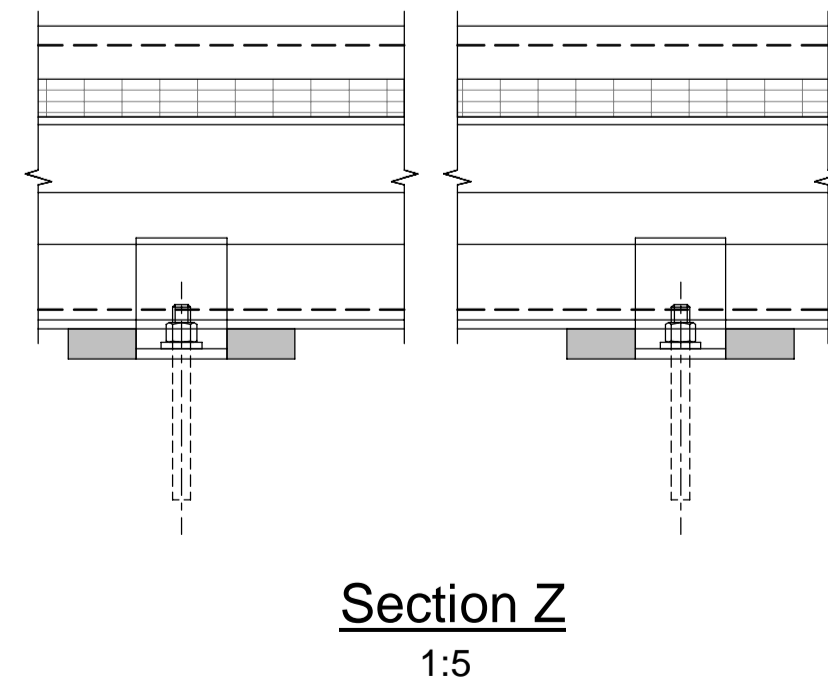
Elevation A
1 : 100



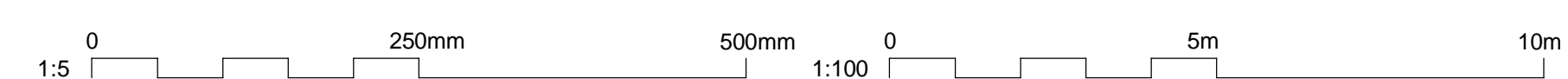
Shore Power Cabling - 3D View
NOT TO SCALE



Section Y
1:5
Steel cable tray detail for middle dolphin



Section Z
1:5



- Notes**
- Do Not Scale from this Drawing.
 - All dimensions are in millimeters unless otherwise stated.
 - This drawing is to be read in conjunction with all other services and Civil and Structural drawings as part of this package.
 - The new Shore Power cabling route is to be installed via 8no. 150mm Inside Diameter ducts. Ducts are to be Rigid HDPE type. For ducting and Inspection chamber detail please refer to drawing 105612-MMD-KE-ZZ-DR-C-6120.
 - Shore Power cabling is to leave the shoreline mounted on 450mm heavy duty marine grade stainless steel cable tray. Cabling to be secured to the tray via stainless steel cable ties.
 - Cable tray is to be supported on hollow steel circular sections to branch the gap between the shore line and the dolphins. Supports for the tray are to be mounted every meter. For further information on the cable bridges refer to drawing 105612-MMD-KE-ZZ-DR-C-3440 and 105612-MMD-KE-ZZ-DR-C-3450 for details.
 - The contractor is to coordinate final cable connections with the manufacturer for the Shore Power Unit.

Key to symbols

Reference drawings

105612-MMD-KE-ZZ-DR-E-9000 - General Arrangement Electric Shore Power Sheet 1
105612-MMD-KE-ZZ-DR-E-9100 - LV Schematic
105612-MMD-KE-ZZ-DR-C-3400 - Shore Power General Arrangement
105612-MMD-KE-ZZ-DR-C-3410 - Shore Power Plan & Sections
105612-MMD-KE-ZZ-DR-C-3440 - Cable Bridge (Onshore to inner Dolphin)
105612-MMD-KE-ZZ-DR-C-3450 - Cable Bridge (Middel Dolphin to Outer Dolphin)
105612-MMD-KE-ZZ-DR-C-6120 - Paving Manholes and ducting

Rev	Date	Drawn	Description	Ch'k'd	App'd
C02	22.03.2023	CC	Tender Issue	AW	CO
C01	17.03.2023	CG	Tender Issue	AW	WS

Status Stamp

TENDER

M
MOTT
MACDONALD

Mott MacDonald
St Vincent Plaza
319 St Vincent Street
Glasgow, G2 5LD
United Kingdom

T +44 (0)141 222 4500
F +44 (0)141 221 2048
W mottmac.com

Client
Caledonian Maritime Assets Limited
Municipal Buildings
Fore Street
Port Glasgow
PA14 5EQ



Title
New Islay Vessel Port Enabling Works
Kennacraig
Shore Power Cabling
Sections & Elevations

Designed	A.Wood	A.W.	Eng. Check	J.Willock	J.W.
Drawn	C.Glasheen	C.G.	Coordination	B.Radcliffe	B.R.
Dwg. Check	A.Wood	A.W.	Approved	W.Stevenson	W.S.
MMD Project Number	105612	Scale at A1	1:100, 1:5	Security	STD
Suitability Description	Authorised and Accepted			Suit. Code	A1
Drawing Number	105612-MMD-KE-ZZ-DR-E-9002			Rev	C02

- Notes**
- Do not scale from this drawing.
 - Any drawing discrepancies are to be reported to Mott MacDonald.
 - All Electrical Installations are to be installed in line with the latest edition of BS 7671.
 - This drawing is for information only and is not to be used for construction.
 - A new LV Switchboard is to be provided in a new GRP enclosure adjacent to the SSEN Substation sized 5m x 5m. The Switchboard shall be responsible for the foundation for this new switchroom. The Switchboard is to be of Form 4 Type 6 Construction.
 - The Existing Power Supply cabling to the terminal building DB, General Services DB, Fuel System Control Panel, Portable Water Control Panel and Linkspan shall be stripped out in their entirety and replaced with cabling sized as stated on this drawing.
 - The existing main switchboard shall be stripped out by the Client under a separate Contract. The Contractor shall allow shutdown and changeover of the existing supplies to the new supplies in a phased manner to suit the Client operations on the project programme. The Contractor shall provide full method statements detailing proposed timescales for changeover and any enabling works required (including temporary supplies).
 - The Contractor shall be responsible for installing the free issue cable from CMAL between the new SSEN Switchgear Enclosure and the new CMAL Switchroom, including connections into the new main switchboard.
 - SSEN shall provide and install their own enclosure housing their transformer and associated switchgear. The Contractor shall be responsible for the provision of a foundation for the new SSEN enclosure area of foundation 5m x 5m in accordance with SSEN document reference 13-GEN-C-17-002.
 - SSEN are providing a 5 star rating reference point within the enclosure for the earth conductor to a main copper earth bar within the CMAL enclosure. Earth bar is to be 12Way.

Key to Symbols

- Multi function meter
- Kilowatt hour meter
- Air circuit breaker
- Moulded case circuit breaker
- Switch disconnector (on load)
- Star/Delta transformer
- Three phase and Neutral Distribution Board
- Three phase Isolator (NR indicates rating)
- Three Phase and Neutral Motor
- Mechanical Control Panel

- XXA** FRAME SIZE
- XXB** FRAME RATING
- PH** PHASING
- TYPE** DEVICE TYPE

Reference drawings

- Utility Mapping Survey File : A804, Dated 14.11.2022
- General Arrangement Electric Shore Power Sheet 1 105612-MMD-KE-ZZ-DR-E-9000
- General Arrangement Electric Shore Power Sheet 2 105612-MMD-KE-ZZ-DR-E-9001
- LV Schematic 105612-MMD-KE-ZZ-DR-E-9100
- Shore Power Plan & Schedules 105612-MMD-KE-ZZ-DR-C-3400
- Shore Power Plan & Schedules 105612-MMD-KE-ZZ-DR-C-3410
- Cable Bridge (Onshore to Inver Dolphin) 105612-MMD-KE-ZZ-DR-C-3440
- Cable Bridge (Media Dolphin to Outer Dolphin) 105612-MMD-KE-ZZ-DR-C-3450
- Paving Manholes and ducting 105612-MMD-KE-ZZ-DR-C-6120

Rev	Date	Drawn	Description	Chk'd	App'd
C01	17.03.2023	AW	Tender Issue	JS	W/S

Status Stamp

TENDER

MOTT MACDONALD

St Vincent Plaza
319 St Vincent Street
Glasgow, G2 5LD
United Kingdom

T +44 (0)141 222 4500
F +44 (0)141 221 2048
W mottmac.com

Client

Caledonian Maritime Assets Limited
Municipal Buildings
Fore Street
Port Glasgow
PA14 5EQ



Title

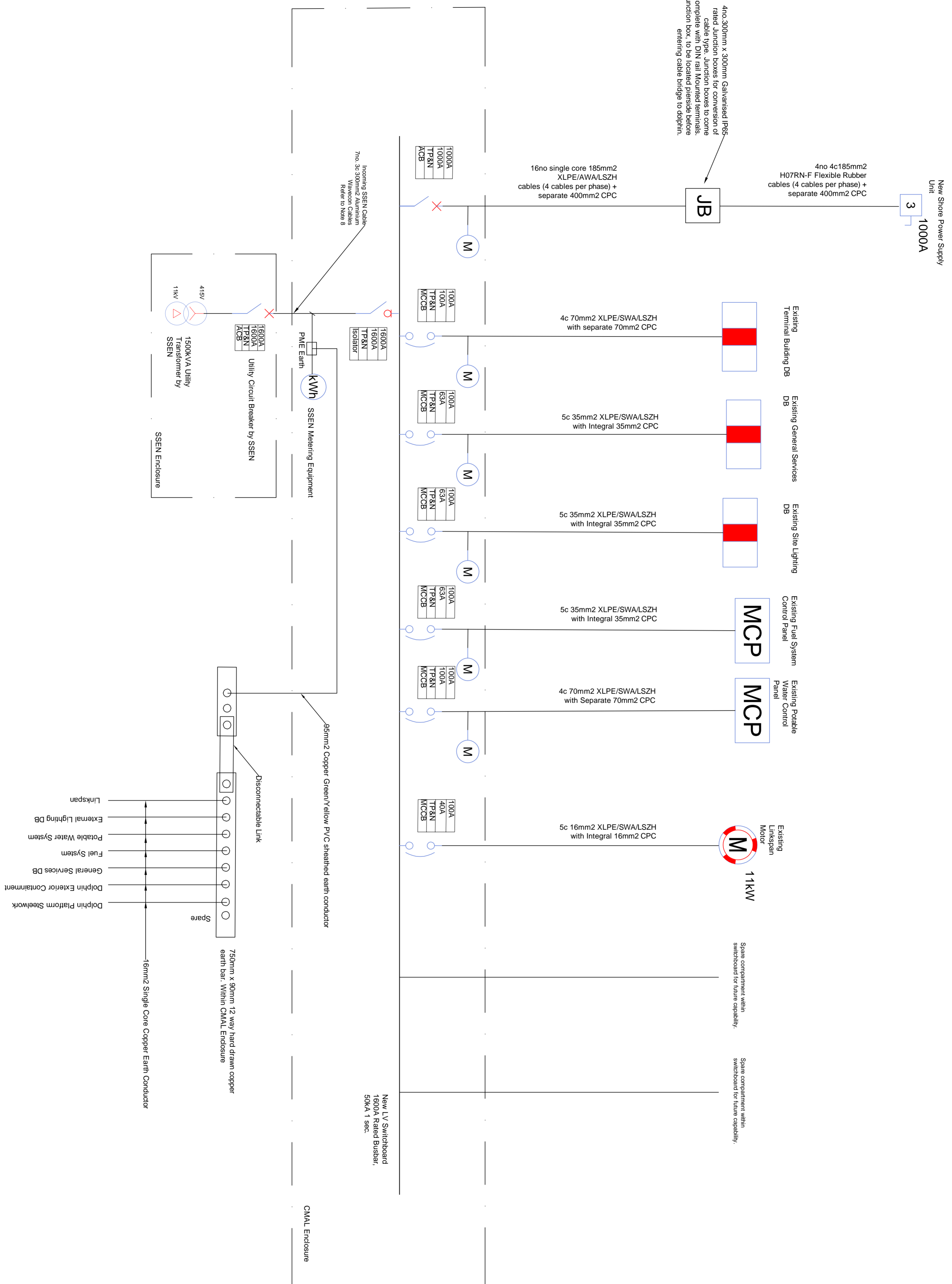
New Islay Vessel Port Enabling Works
Kennacraig
LV Schematic

Designated	A. Wood	AW	Eng check	J. Wilcock	JW
Drawn	A. Wood	AW	Coordination	B. Radcliffe	BR
Dwg check	A. Wood	AW	Approved	W. Stevenson	WS

MMD Project Number	Scale at A1	Security
105612	NTS	STD

Authorised and Accepted

Drawing Number **105612-MMD-KE-ZZ-DR-E-9100** Rev **C01**



CMAL
Caledonian Maritime Assets Limited
319 St Vincent Street
Glasgow, G2 5LD
United Kingdom

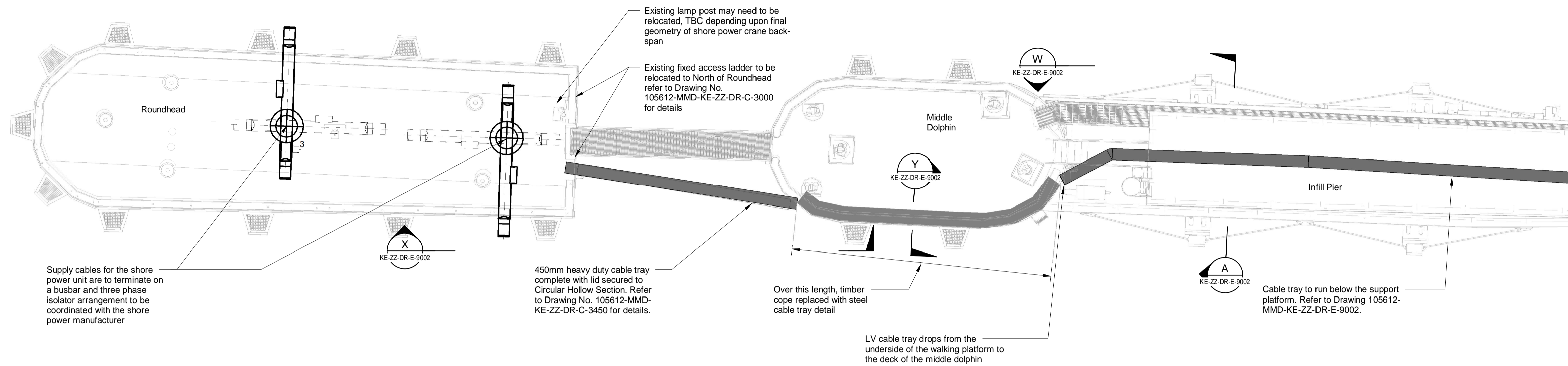
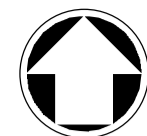
MOTT MACDONALD
105612-MMD-KE-ZZ-DR-E-9100.dwg Mar 15, 2023

Client
Caledonian Maritime Assets Limited
Municipal Buildings
Fore Street
Port Glasgow
PA14 5EQ

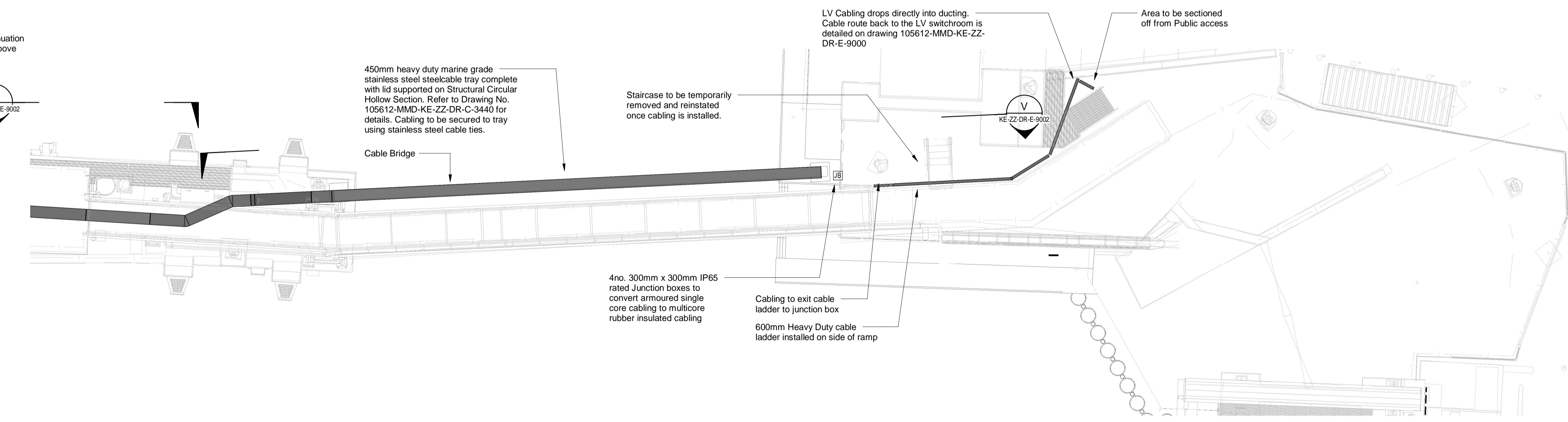
Title
New Islay Vessel Port Enabling Works
Kennacraig
LV Schematic

Authorised and Accepted

Drawing Number **105612-MMD-KE-ZZ-DR-E-9100** Rev **C01**



Plan
1 : 100



Plan
1 : 100

- Notes**
1. Do Not Scale from this Drawing.
 2. All dimensions are in millimeters unless otherwise stated.
 3. This drawing is to be read in conjunction with all other services and Civil and Structural drawings as part of this package.
 4. The new Shore Power cabling route is to be installed via 8no. 150mm Inside Diameter ducts. Ducts are to be Rigid HDPE type. For ducting and Inspection chamber detail please refer to drawing 105612-MMD-KE-ZZ-DR-C-6120.
 5. Shore Power cabling is to leave the shoreline mounted on 450mm heavy duty marine grade stainless steel cable tray. Cabling to be secured to the tray via stainless steel cable ties.
 6. Cable tray is to be supported on hollow steel circular sections to branch the gap between the shore line and the dolphins. Supports for the tray are to be mounted every meter. For further information on the cable bridges refer to drawing 105612-MMD-KE-ZZ-DR-C-3440 and 105612-MMD-KE-ZZ-DR-C-3450 for details.
 7. The contractor is to coordinate final cable connections with the manufacturer for the Shore Power Unit.

Key to symbols

- Three Phase Isolator
- Junction Box

- Reference drawings**
- 105612-MMD-KE-ZZ-DR-E-9000 - General Arrangement Electric Shore Power Sheet 1
 - 105612-MMD-KE-ZZ-DR-E-9100 - LV Schematic
 - 105612-MMD-KE-ZZ-DR-C-3400 - Shore Power General Arrangement
 - 105612-MMD-KE-ZZ-DR-C-3410 - Shore Power Plan & Sections
 - 105612-MMD-KE-ZZ-DR-C-3440 - Cable Bridge (Onshore to inner Dolphin)
 - 105612-MMD-KE-ZZ-DR-C-3450 - Cable Bridge (Middle Dolphin to Outer Dolphin)
 - 105612-MMD-KE-ZZ-DR-C-6120 - Paving Manholes and ducting

Rev	Date	Drawn	Description	AW	WS
C01	17.03.2023	CG	Tender Issue		

Status Stamp

TENDER


MOTT MACDONALD

Mott MacDonald
St Vincent Plaza
319 St Vincent Street
Glasgow, G2 5LD
United Kingdom

T +44 (0)141 222 4500
F +44 (0)141 221 2048
W mottmac.com

Client

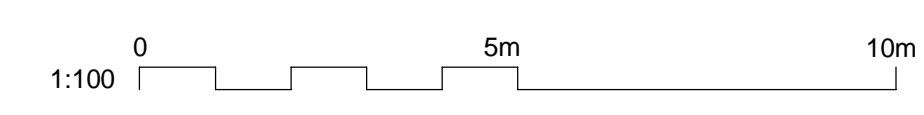
Caledonian Maritime Assets Limited
Municipal Buildings
Fore Street
Port Glasgow
PA14 5EQ



Title

New Islay Vessel Port Enabling Works
Kennacraig
Shore Power Cabling General Arrangement

Designed	A.Wood	A.W.	Eng. Check	J.Willock	J.W.
Drawn	C.Glasheen	C.G.	Coordination	B.Radcliffe	B.R.
Dwg. Check	A.Wood	A.W.	Approved	W.Stevenson	W.S.
MMD Project Number	105612	Scale at A1	1:100	Security	STD
Suitability Description	Authorised and Accepted				Suit. Code
Drawing Number	105612-MMD-KE-ZZ-DR-E-9001				Rev
					C01



Notes

1. Do Not Scale from this Drawing.
2. All dimensions are in millimeters unless otherwise stated:
3. This drawing is to be read in conjunction with all other services and Civil and Structural drawings as part of this package.
4. The new Shore Power cabling route is to be installed via 8no. 150mm Inside Diameter ducts. Ducts are to be Rigid HDPE type. For ducting and Inspection chamber detail please refer to drawing 105612-MMD-KE-ZZ-DR-C-6120.
5. Shore Power cabling is to leave the shoreline mounted on 450mm heavy duty marine grade stainless steel cable tray. Cabling to be secured to the tray via stainless steel cable ties.
6. Cable tray is to be supported on hollow steel circular sections to branch the gap between the shore line and the dolphins. Supports for the tray are to be mounted every meter. For further information on the cable bridges refer to drawing 105612-MMD-KE-ZZ-DR-C-3440 and 105612-MMD-KE-ZZ-DR-C-3450 for details.
7. The contractor is to coordinate final cable connections with the manufacturer for the Shore Power Unit.

Key to symbols

Reference drawings

- 105612-MMD-KE-ZZ-DR-E-9000 - General Arrangement Electric Shore Power Sheet 1
- 105612-MMD-KE-ZZ-DR-E-9100 - LV Schematic
- 105612-MMD-KE-ZZ-DR-C-3400 - Shore Power General Arrangement
- 105612-MMD-KE-ZZ-DR-C-3410 - Shore Power Plan & Sections
- 105612-MMD-KE-ZZ-DR-C-3440 - Cable Bridge (Onshore to inner Dolphin)
- 105612-MMD-KE-ZZ-DR-C-3450 - Cable Bridge (Middel Dolphin to Outer Dolphin)
- 105612-MMD-KE-ZZ-DR-C-6120 - Paving Manholes and ducting

Rev	Date	Drawn	Description	Ch'k'd	App'd
C01	17.03.2023	CG	Tender Issue	AW	WS

Status Stamp

TENDER

MOTT MACDONALD

Mott MacDonald
St Vincent Plaza
319 St Vincent Street
Glasgow, G2 5LD
United Kingdom

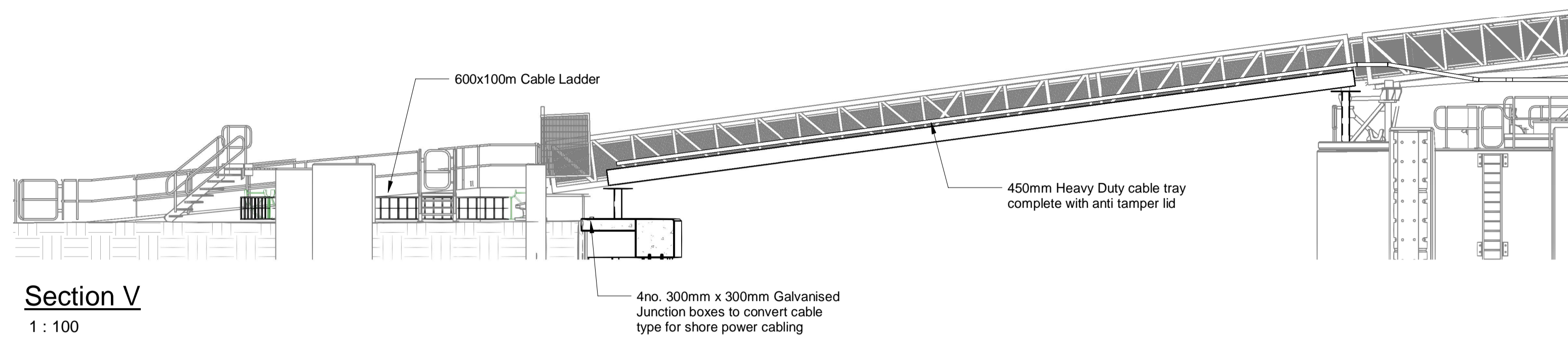
T +44 (0)141 222 4500
F +44 (0)141 221 2048
W mottmac.com

Client
Caledonian Maritime Assets Limited
Municipal Buildings
Fore Street
Port Glasgow
PA14 5EQ

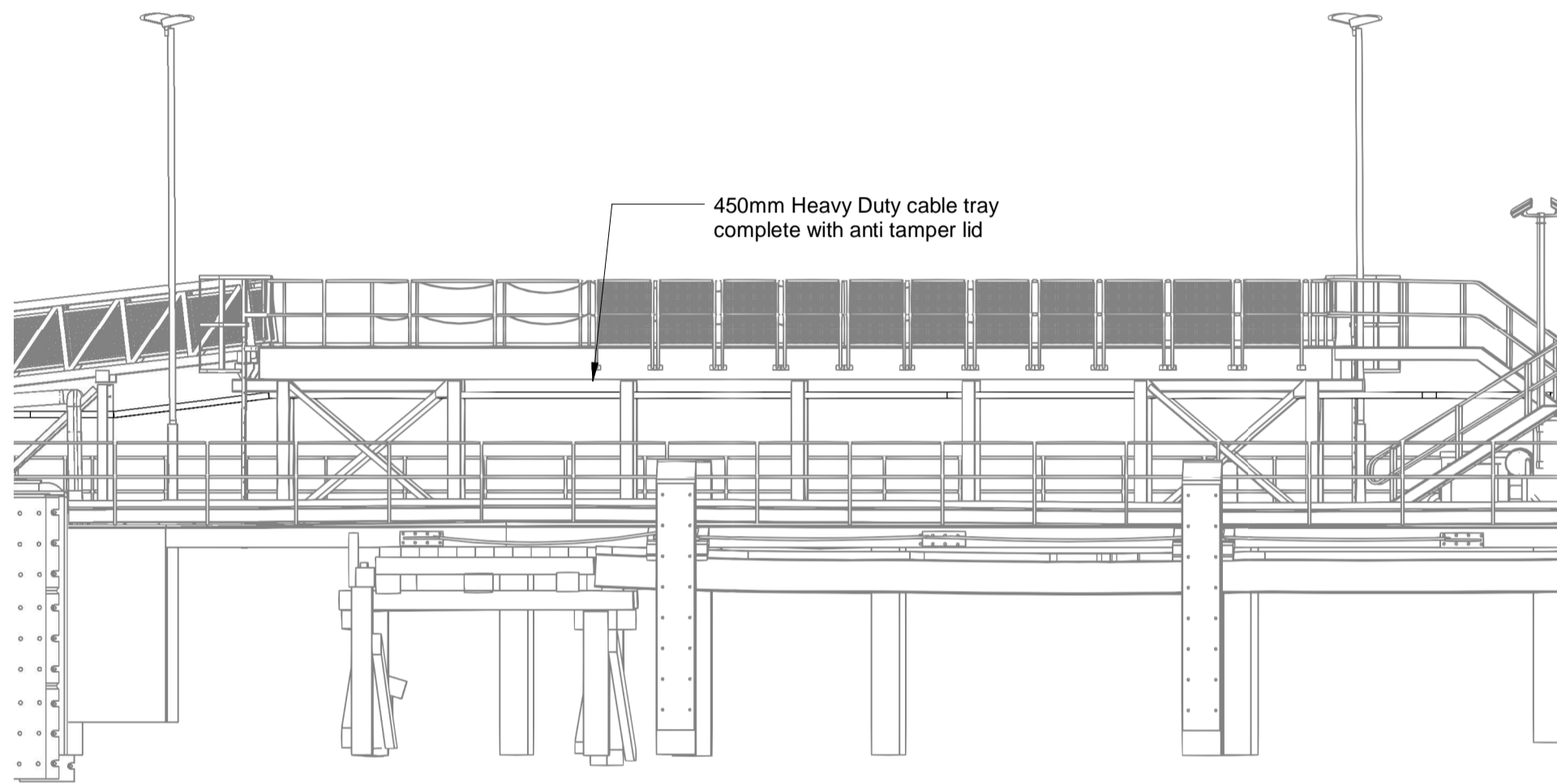


Title
New Islay Vessel Port Enabling Works
Kennacraig
Shore Power Cabling
Sections & Elevations

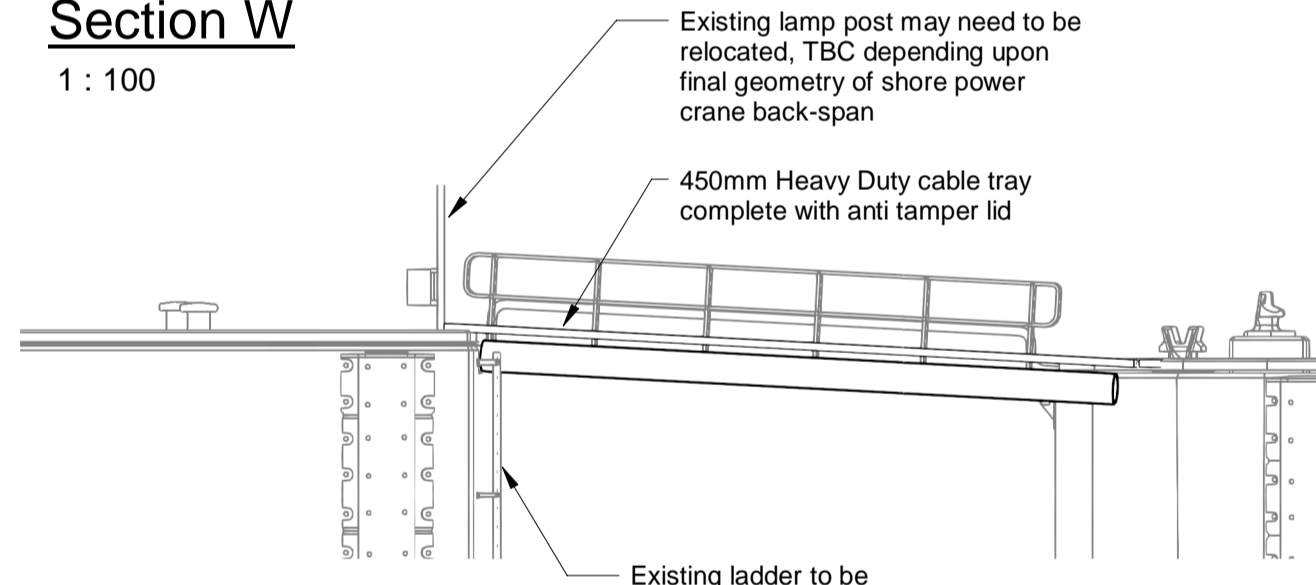
Designed	A.Wood	A.W.	Eng. Check	J.Willock	J.W.
Drawn	C.Glasheen	C.G.	Coordination	B.Radcliffe	B.R.
Dwg. Check	A.Wood	A.W.	Approved	W.Stevenson	W.S.
MMD Project Number	105612	Scale at A1	1:100, 1:5	Security	STD
Suitability Description	Authorised and Accepted				Suit. Code
Drawing Number	105612-MMD-KE-ZZ-DR-E-9002				Rev
					C01



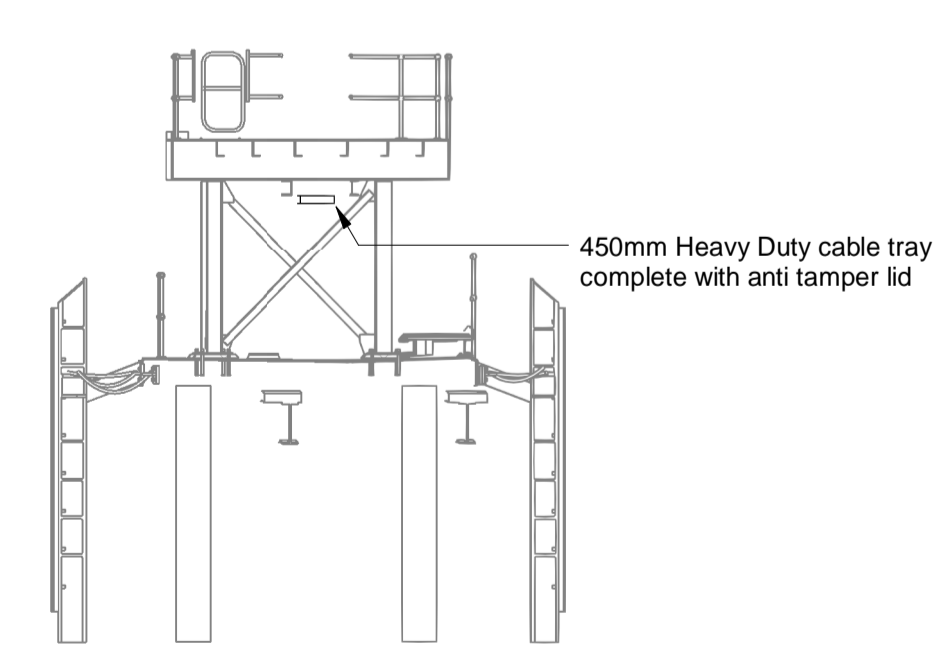
Section V
1 : 100



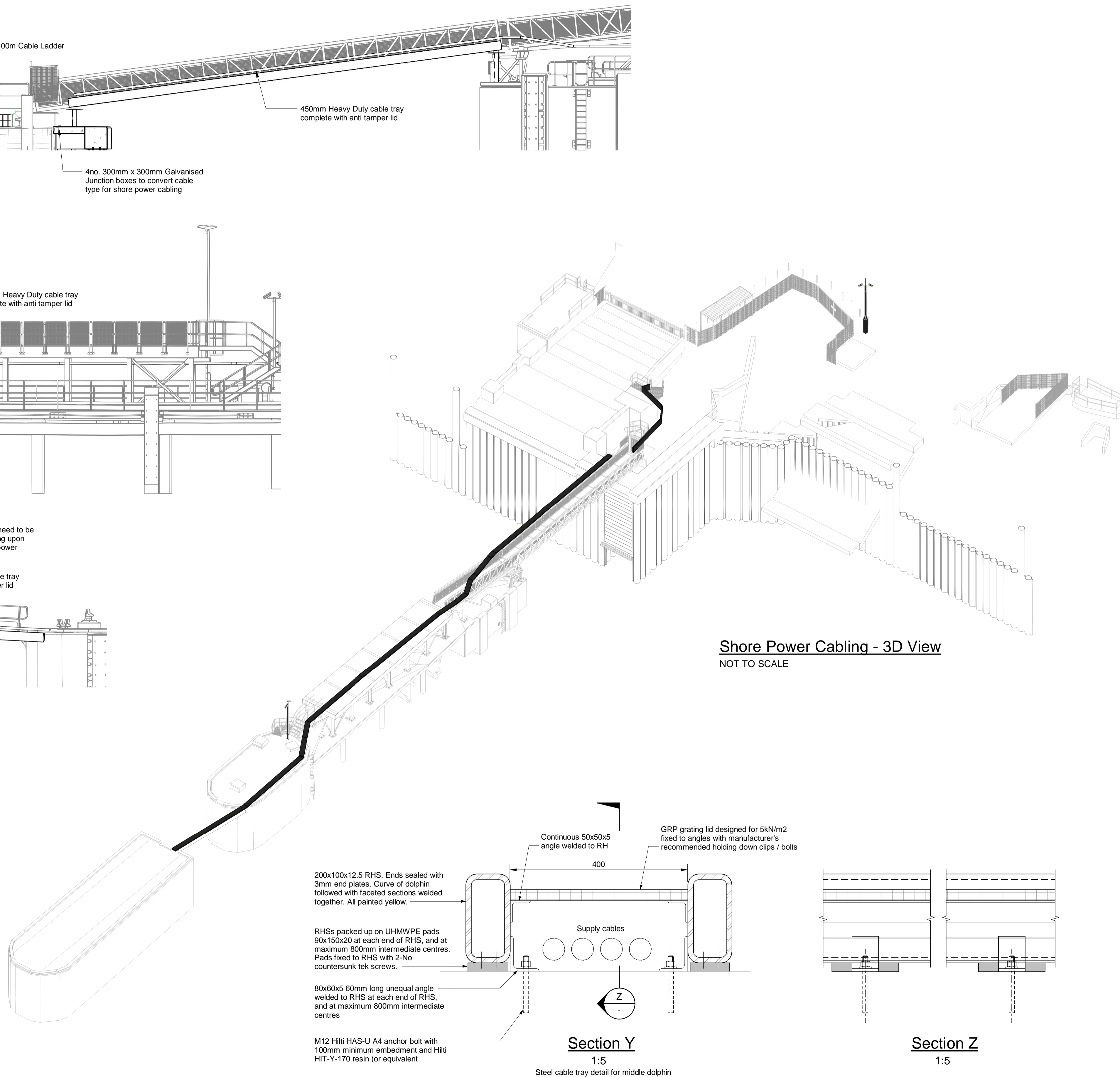
Section W
1 : 100



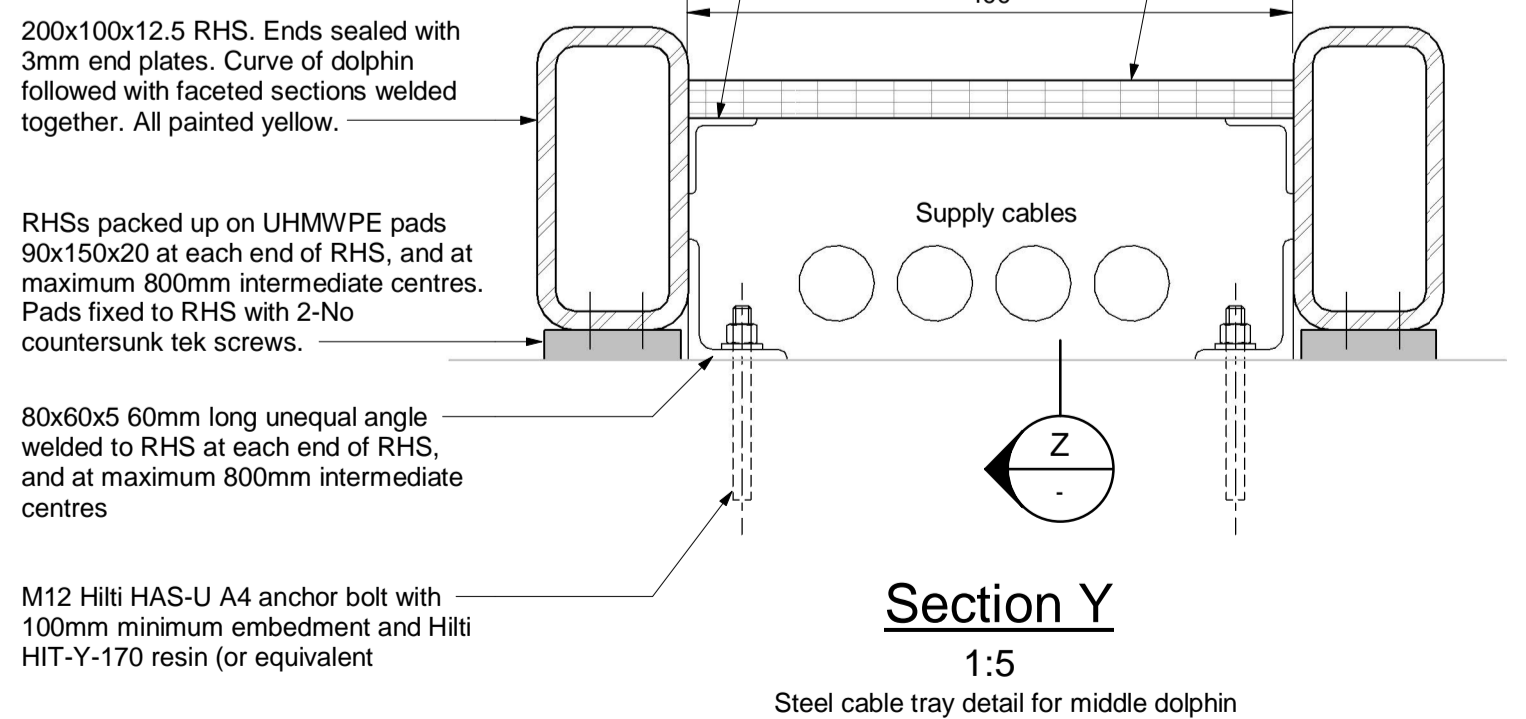
Section X
1 : 100



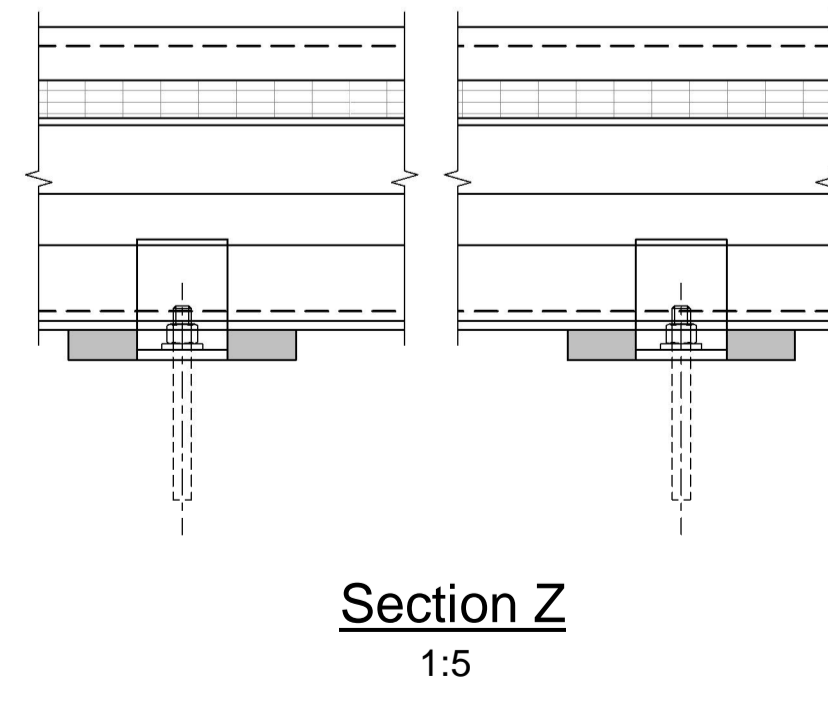
Elevation A
1 : 100



Shore Power Cabling - 3D View
NOT TO SCALE



Section Y
1:5
Steel cable tray detail for middle dolphin



Section Z
1:5

