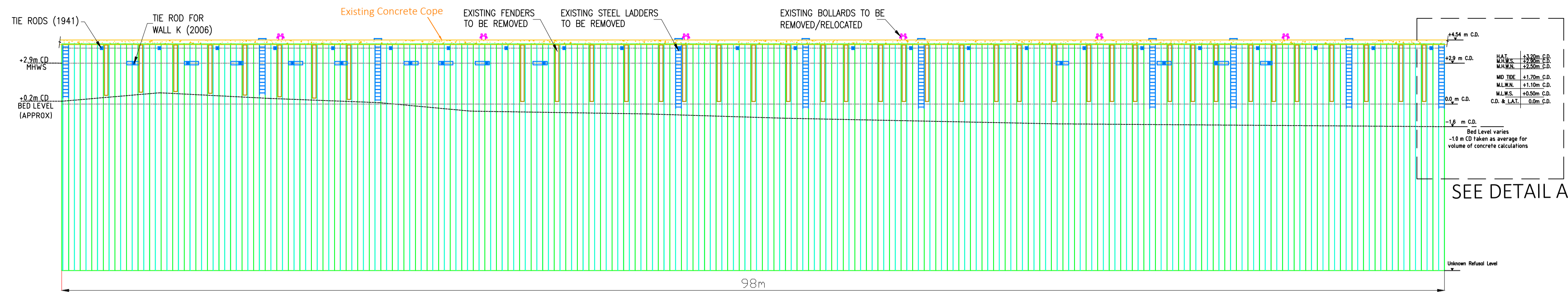
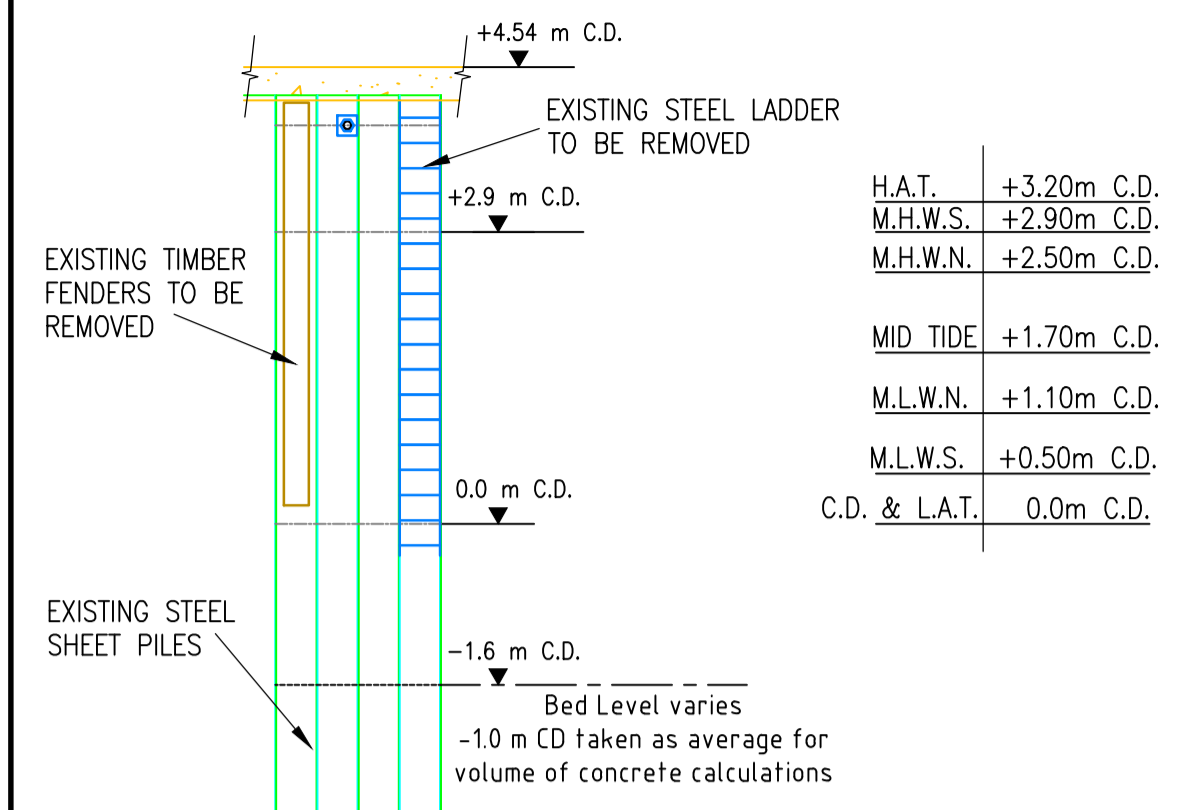


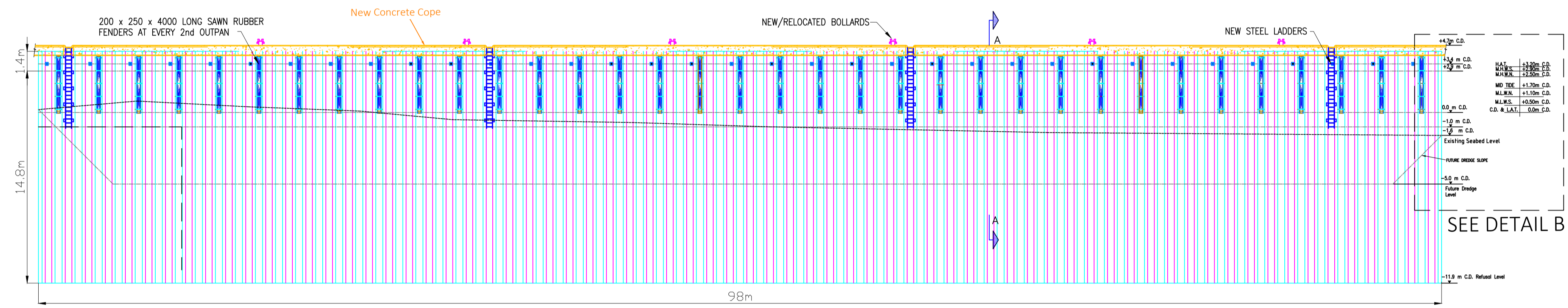
ARGYLL & BUTE COUNCIL --- DEVELOPMENT AND INFRASTRUCTURE SERVICES



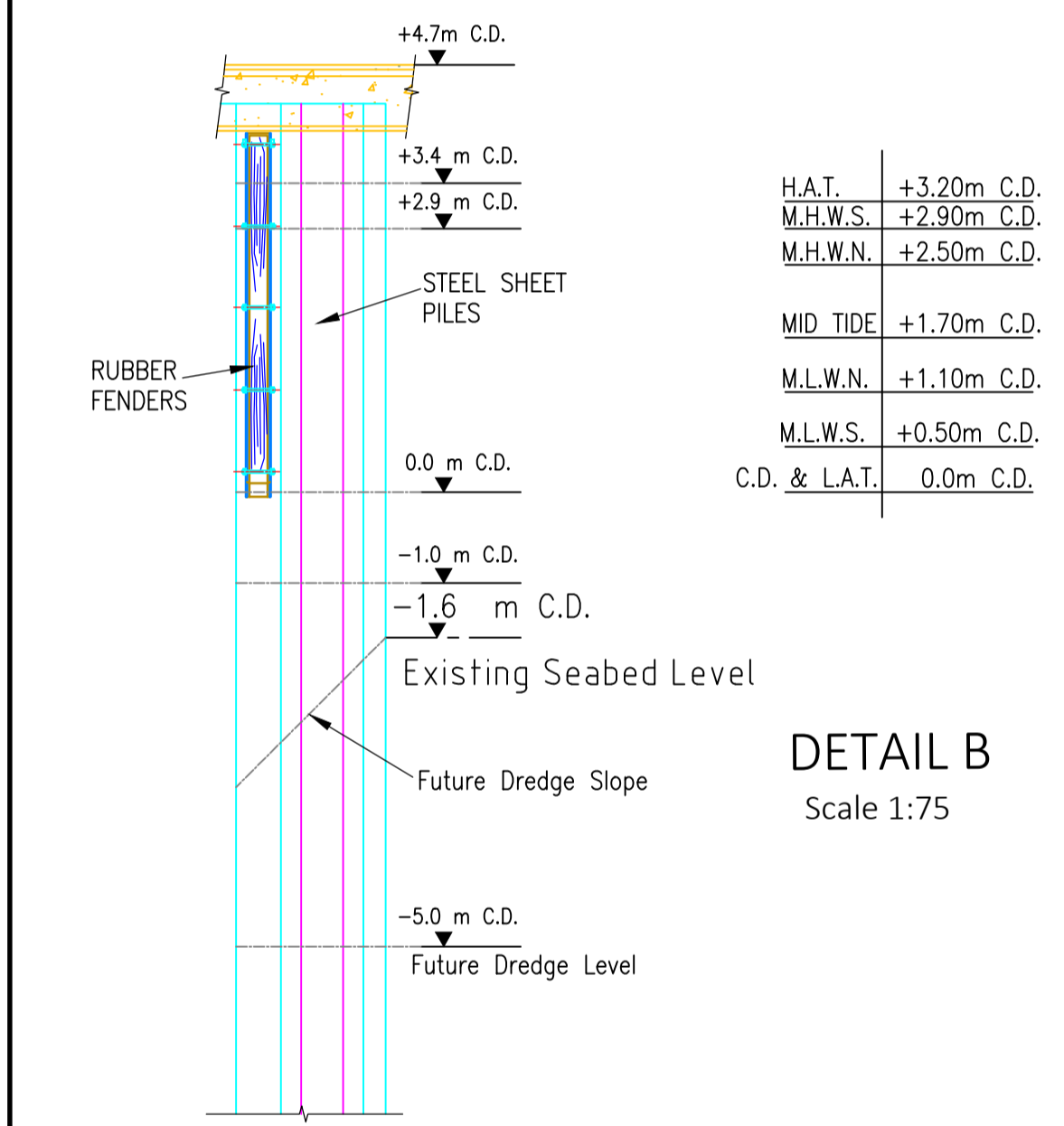
EXISTING ELEVATION
Scale 1:200



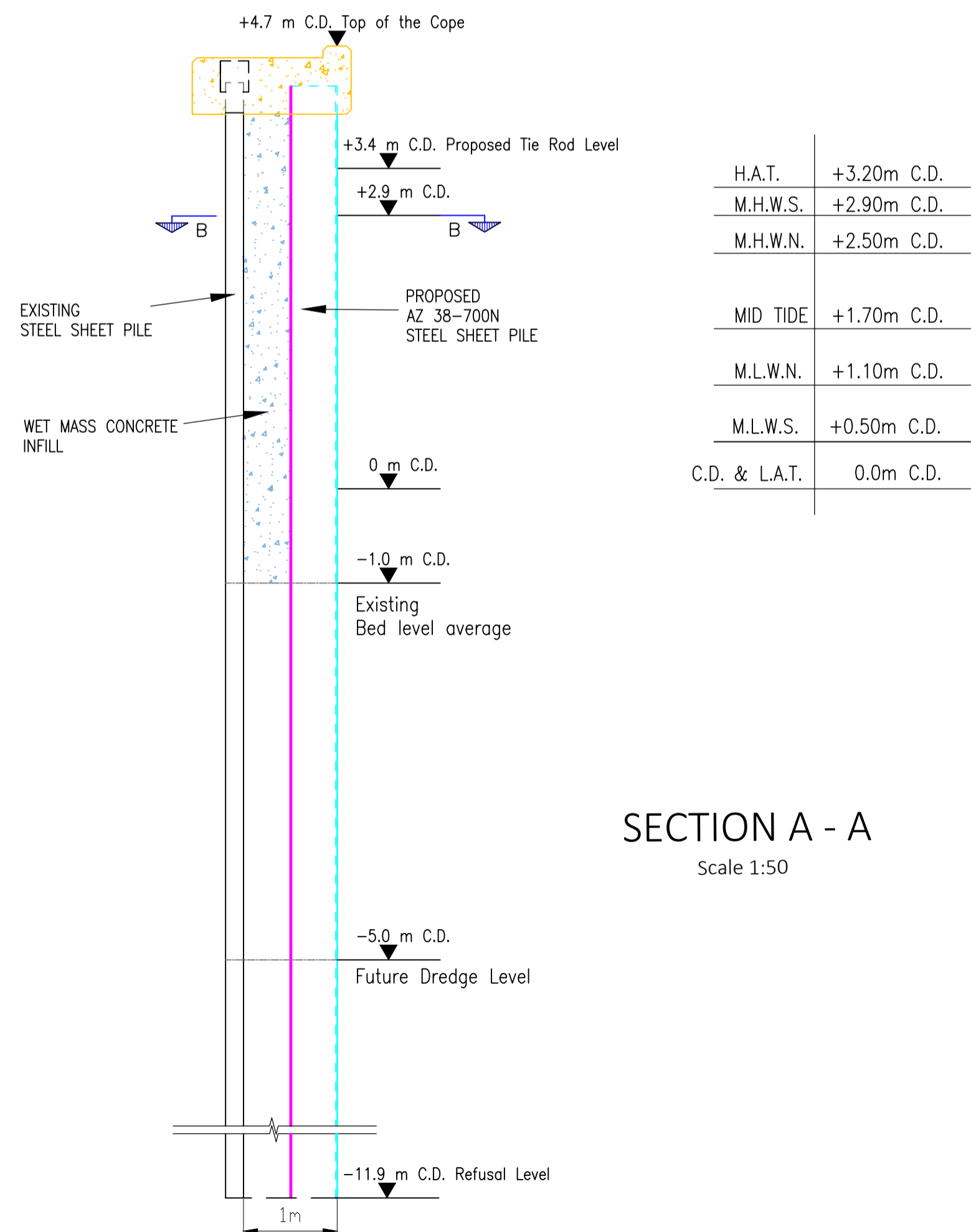
DETAIL A
Scale 1:75



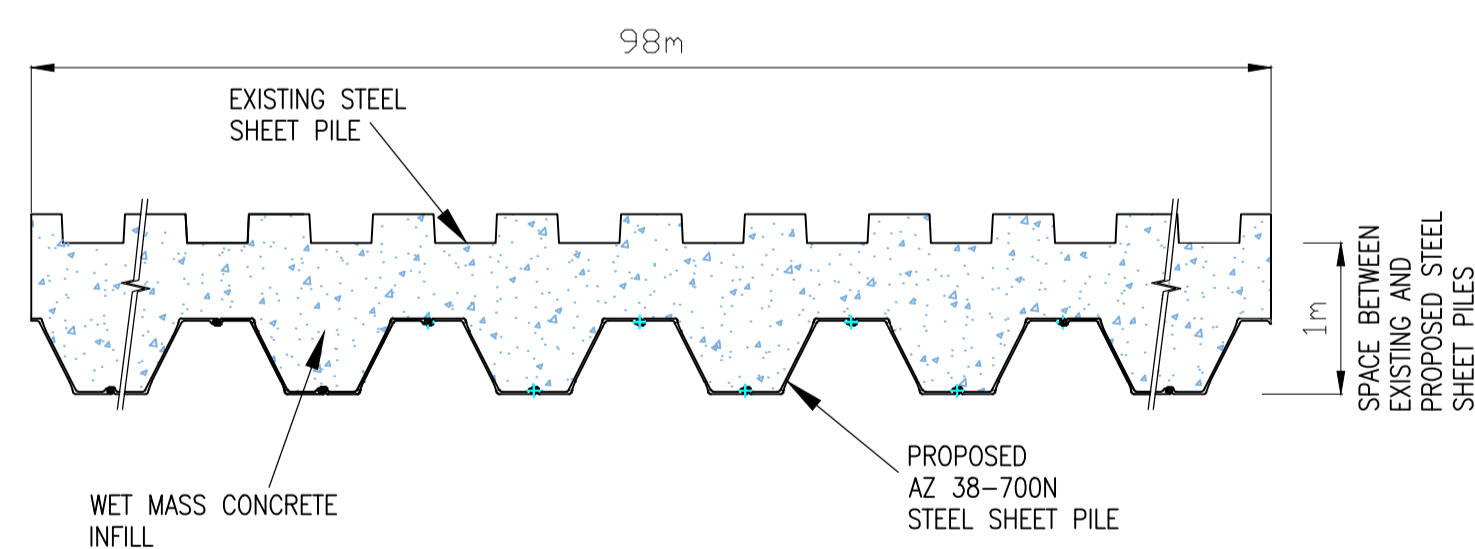
PROPOSED ELEVATION
Scale 1:200



DETAIL B
Scale 1:75



SECTION A - A
Scale 1:50



SECTION B - B
Scale 1:50

NOTES:
1) All dimensions are in metres unless noted otherwise.
2) All levels are in metres relative to a local datum.

© Crown copyright and database right 2019. All rights reserved. Ordnance Survey Licence number 100023368

Director of Development and Infrastructure Services
Pippa Milne

DESIGN OFFICE,
MANSE BRAE, LOCHGILPHEAD, ARGYLL, PA31 8RD

TITLE

Campbeltown Old Quay Wall A
Existing and Proposed Arrangement

SCALES AS SHOWN @ A1

R1	Added future dredge slope	VC	08/06/20		DESIGNED BY	VC	DRAWING No.	00040-27-003R1	
					DRAWN BY	VC			
					CHECKED BY	ES			
					APPROVED BY	ES			
SUFFIX	REVISION	INIT.	DATE	INIT.	DATE	DATE	06/12/2019		