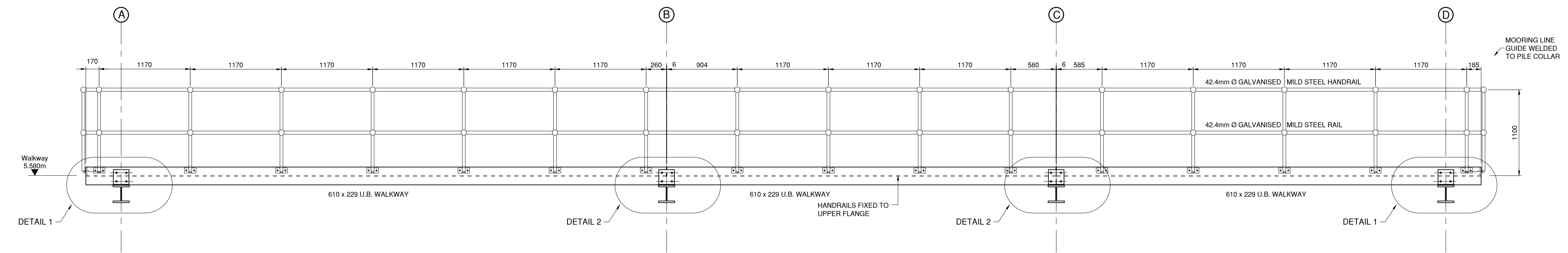
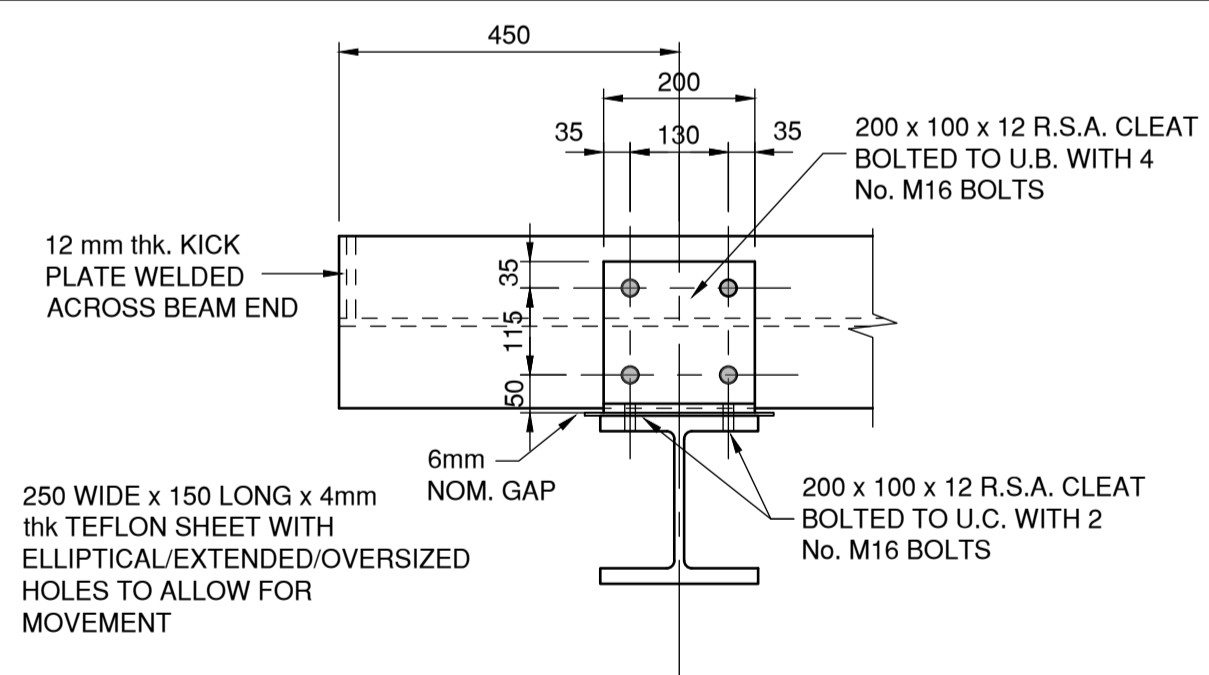


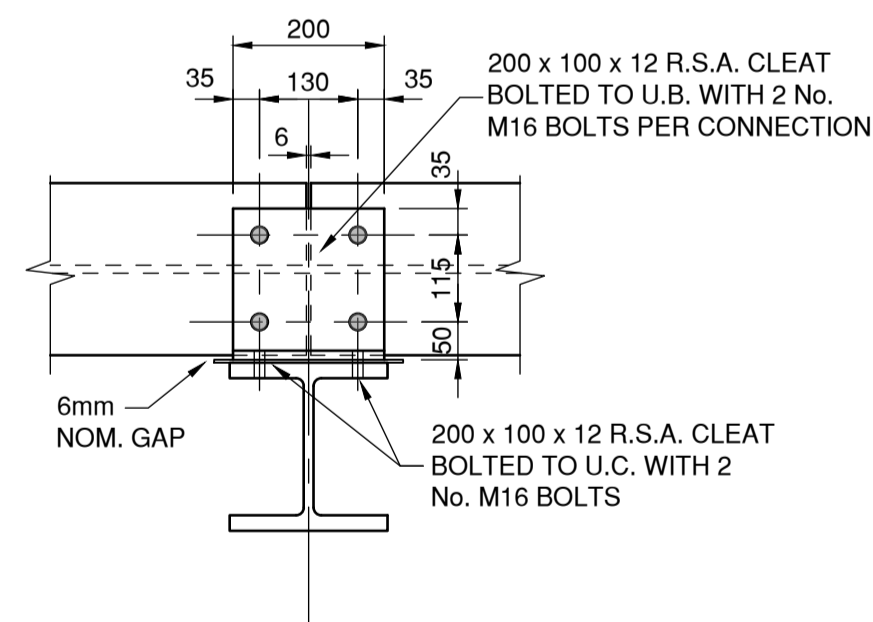
SECTION 1-1
SCALE 1:25



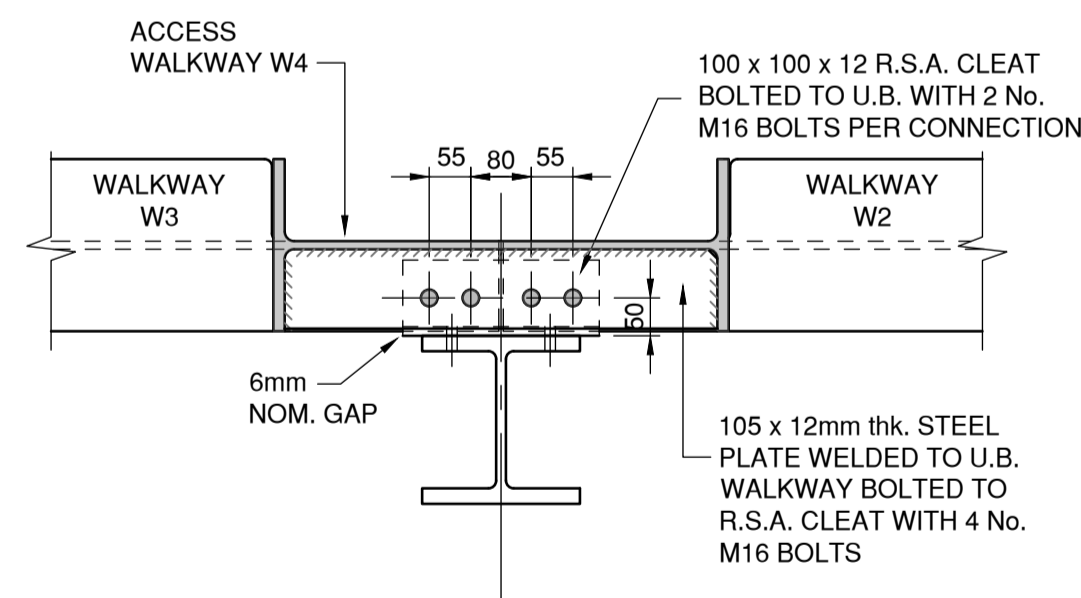
SECTION 2-2
SCALE 1:25



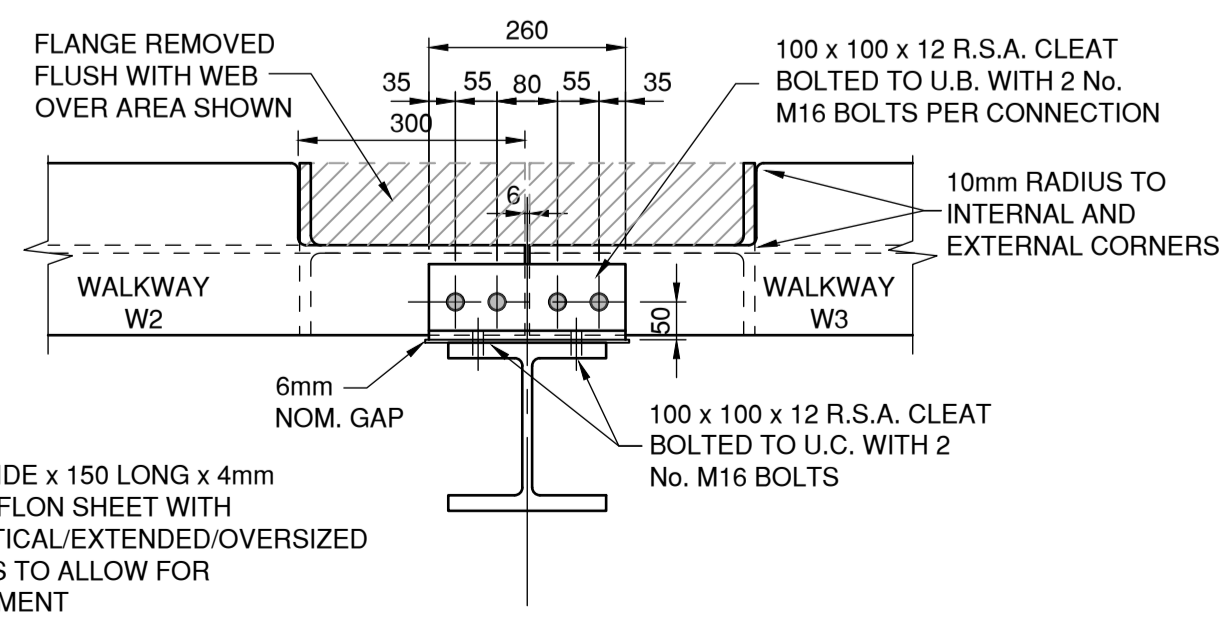
DETAIL 1
SCALE 1:10



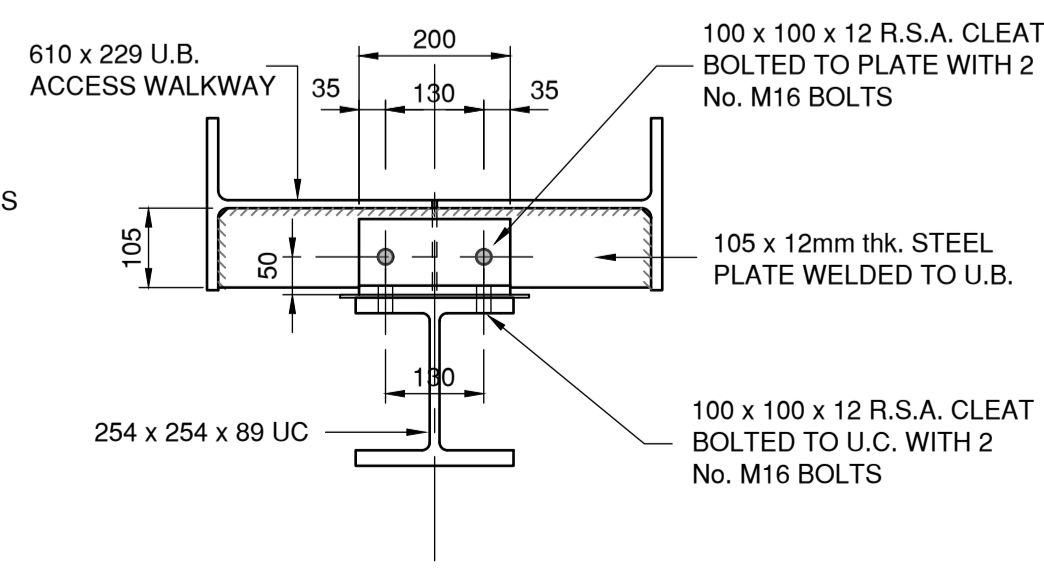
DETAIL 2
SCALE 1:10



DETAIL 3
SCALE 1:10



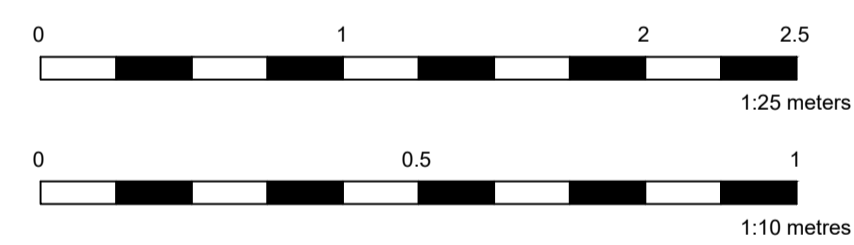
SECTION 5-5
SCALE 1:10



SECTION 6-6
SCALE 1:10

NOTES

- FOR BERTH PLAN REFER TO DRAWING No. 235014-008.
-



REV	DATE	REVISION DESCRIPTION	DRN	VER
/	5.3.25	FIRST ISSUE - PLANNING	G.B.	M.H.W.

THIS DRAWING IS COPYRIGHT. DO NOT SCALE FROM THIS DRAWING.

Arch Henderson
1919

Civil Engineers
Structural Engineers
Principal Designers
Architects
Geotechnical services
Environmental services

142 St. Vincent Street, Glasgow G2 5LA
Tel: 0141 227 3060 - Fax: 0141 249 9542
www.arch-henderson.co.uk - email: glasgow@arch-henderson.co.uk

Offices in: Aberdeen, Dundee, Falkland Islands, Glasgow, Inverness, Lewick, Southampton, Stormess and Thurso

PROJECT :
Western Ferries (Clyde) Ltd.
Kilmun Pier Berth

TITLE :
NEW WORKS
Walkway Details (Sheet 2)

DRAWN :	DATE :	VERIFIED :	APPROVED :
G.B.	5.3.25	M.H.W.	
SCALE : (A1)	1:25, 1:10	DRAWING STATUS :	PLANNING

DRAWING No :	REV :
235014-009	/