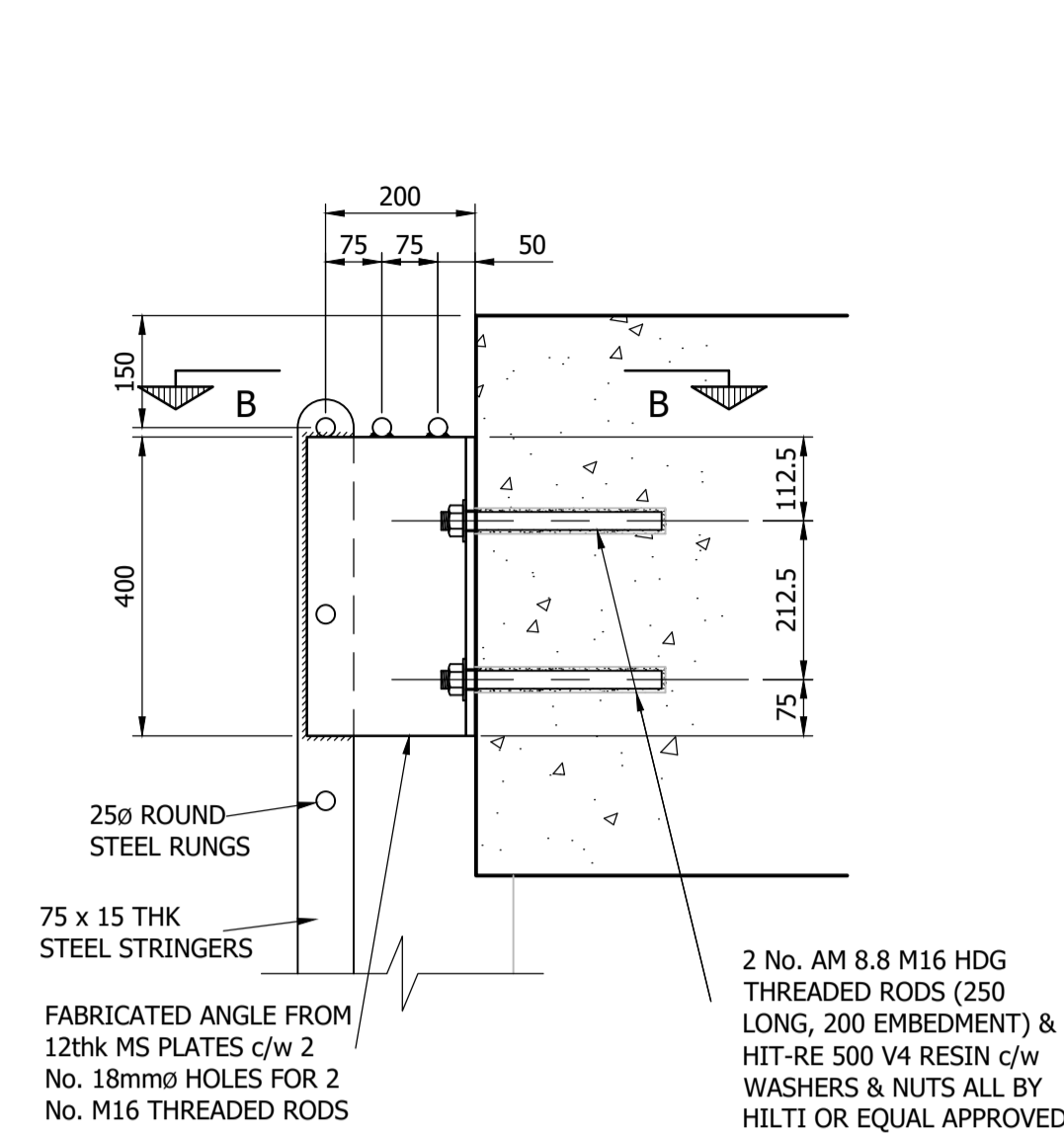
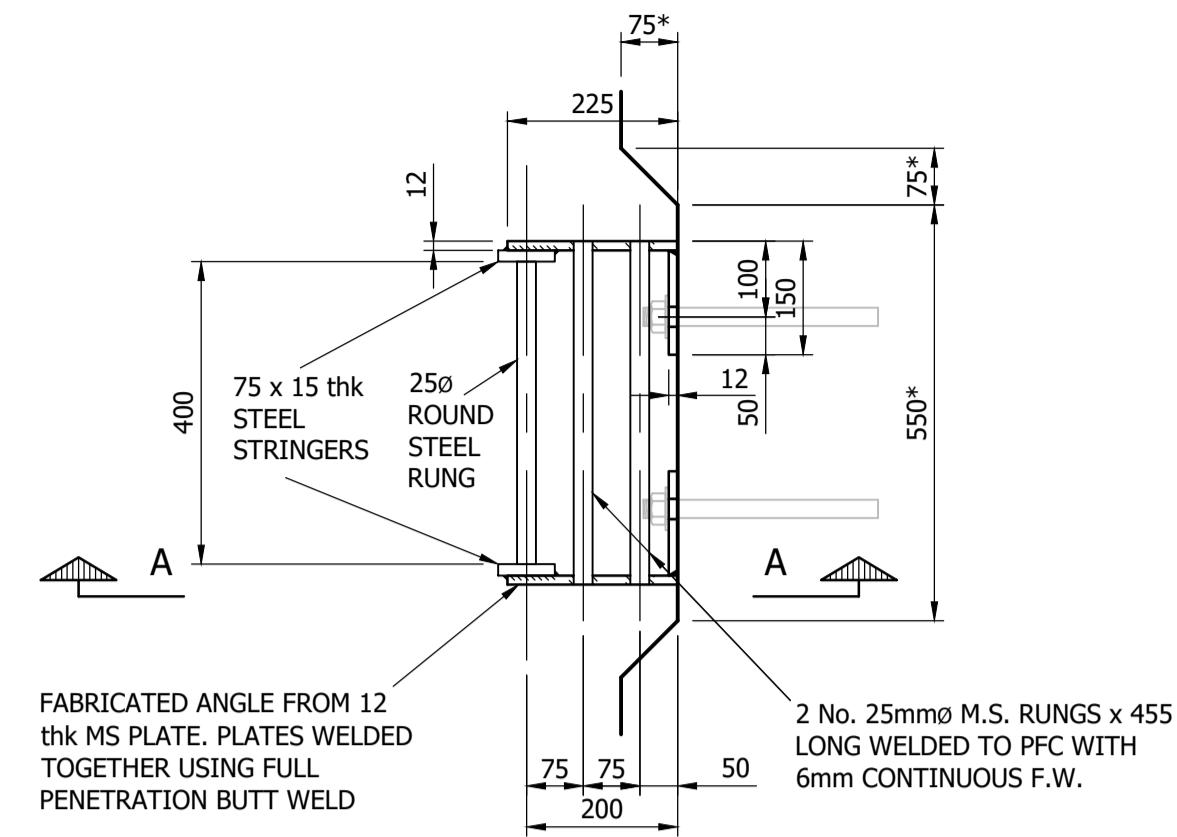


NOTES

1. FOR NOTES REFER TO ARCH HENDERSON DRAWING NUMBER 235053/002.
2. FOR LOCATIONS OF DETAILS 3 & 4 REFER TO ARCH HENDERSON DRAWING NUMBER 235053/002.
3. FOR LOCATIONS OF LADDERS REFER TO ARCH HENDERSON DRAWING NUMBER 235053/001.



SECTION A - A
SCALE 1 : 10



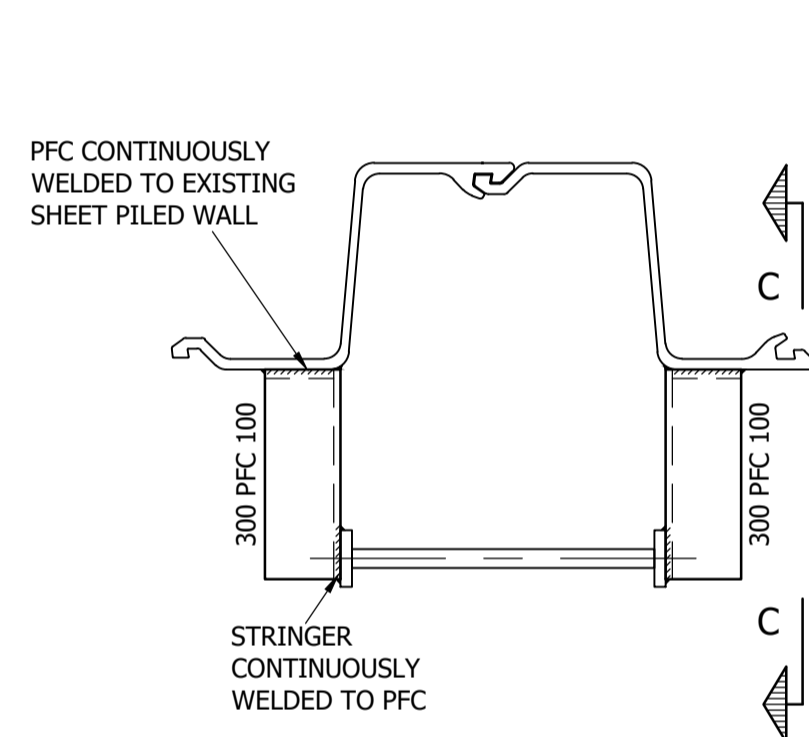
SECTION B - B
SCALE 1 : 10

DETAIL 3 - TOP LADDER FIXING BRACKET

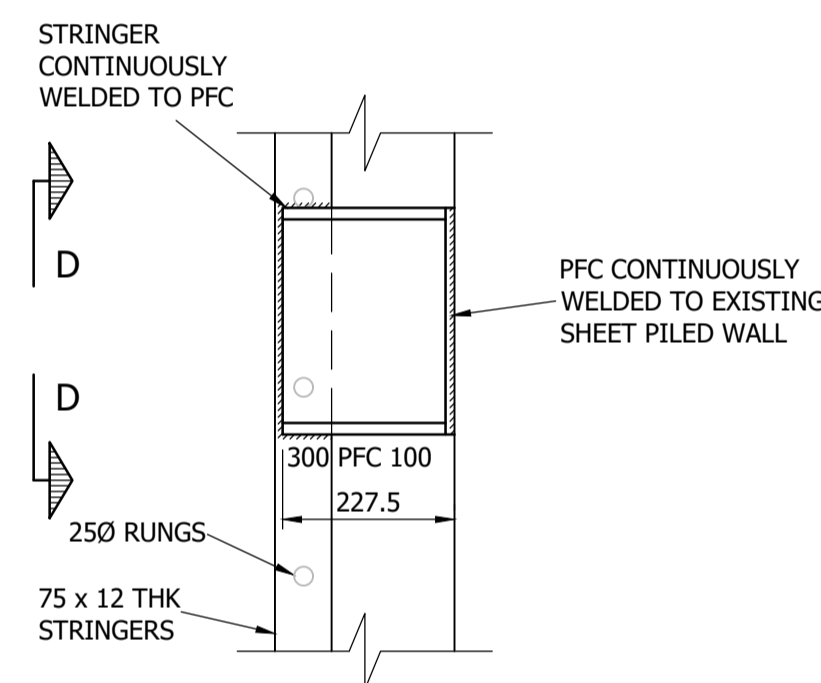
1 No. REQUIRED THUS

DIMENSIONS MARKED THUS * TO BE CONFIRMED BY CONTRACTOR PRIOR TO FABRICATION OF STEELWORK AND DESIGNER NOTIFIED OF ANY DISCREPANCIES IMMEDIATELY

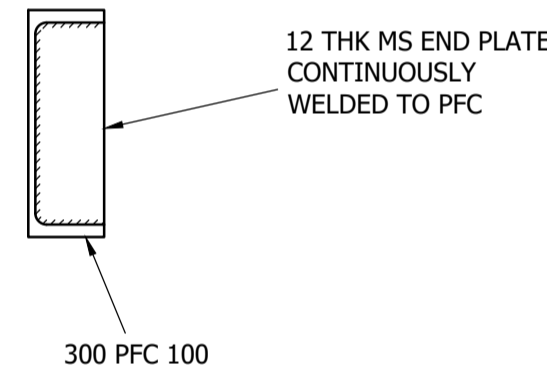
2 No. LADDERS
REQUIRED THUS



TYPICAL PLAN
SCALE 1 : 10



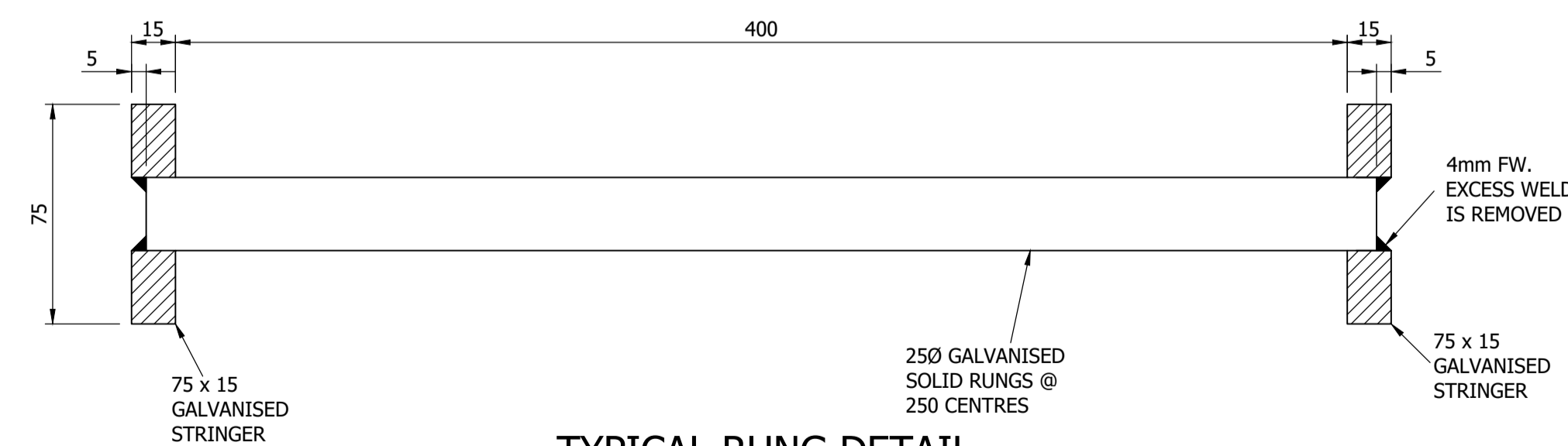
SECTION C - C
SCALE 1 : 10



SECTION D - D
SCALE 1 : 10

DETAIL 4 - LADDER FIXING BRACKETS

4 No. PFC's REQUIRED THUS



TYPICAL RUNG DETAIL
SCALE 1 : 2

REV	DATE	REVISION DESCRIPTION	DRN	VER
THIS DRAWING IS COPYRIGHT © DO NOT SCALE FROM THIS DRAWING.				

Arch Henderson 1919

Civil Engineers
Structural Engineers
Principal Designers
Architects
Geotechnical services
Environmental services

142 St. Vincent Street, Glasgow G2 5LA.
Tel : 0141 227 3060 - Fax : 0141 248 9542
www.arch-henderson.co.uk - email : glasgow@arch-henderson.co.uk

Offices in : Aberdeen, Dundee, Falkland Islands, Glasgow, Inverness, Lewick, Southampton, Stromness and Thurso

PROJECT :			
INVERCLYDE COUNCIL GREENOCK WATERFRONT REMEDIAL WORKS			
TITLE :			
TYPICAL LADDER DETAILS SHEET 2 OF 2			
DRAWN :	DATE :	VERIFIED :	APPROVED :
W.J.	10/11/2023	H.D.	M.S.
SCALE : (A1)		DRAWING STATUS :	
AS SHOWN @ A1		TENDER	
DRAWING No : 235053/003			REV : /