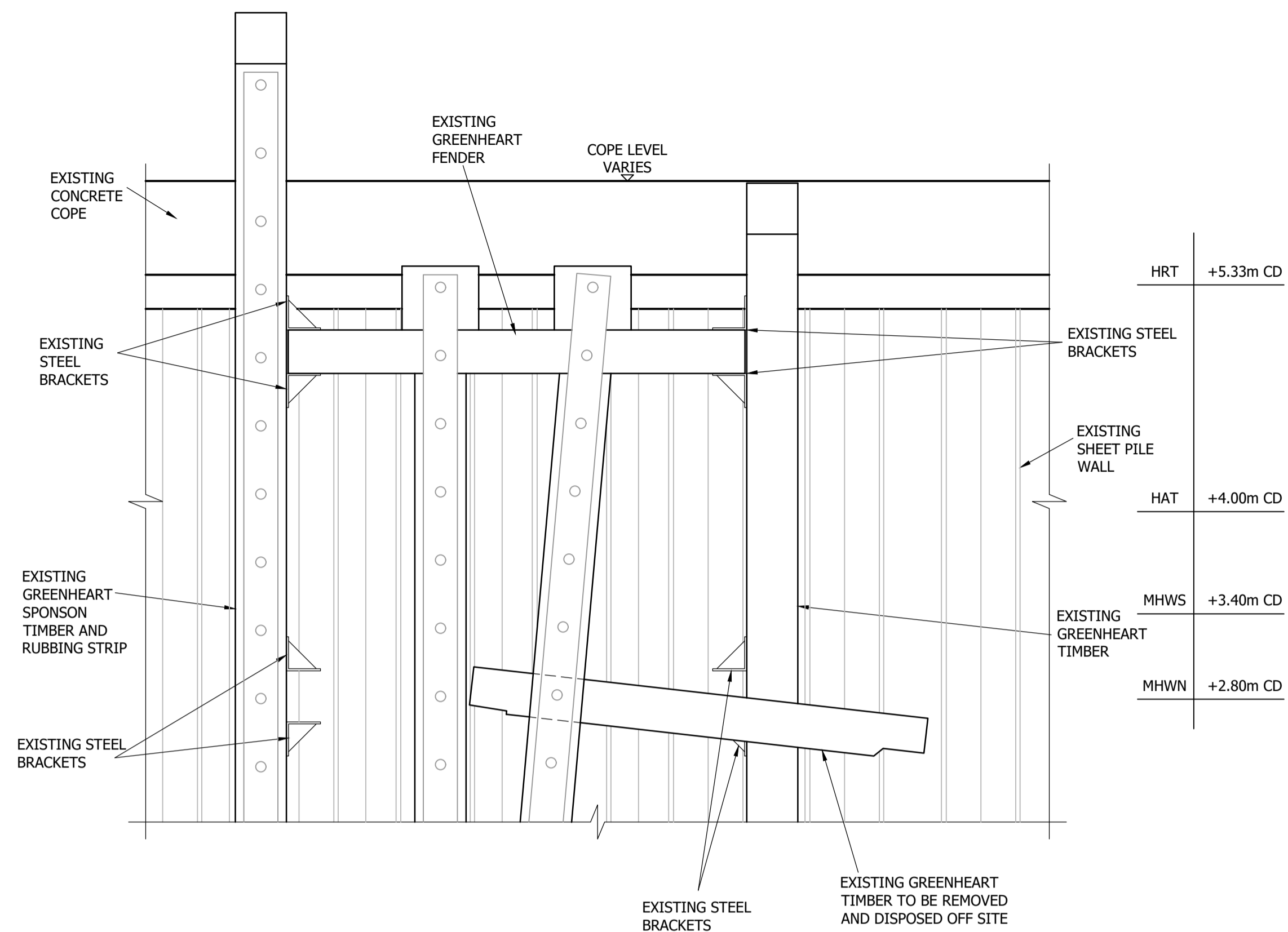
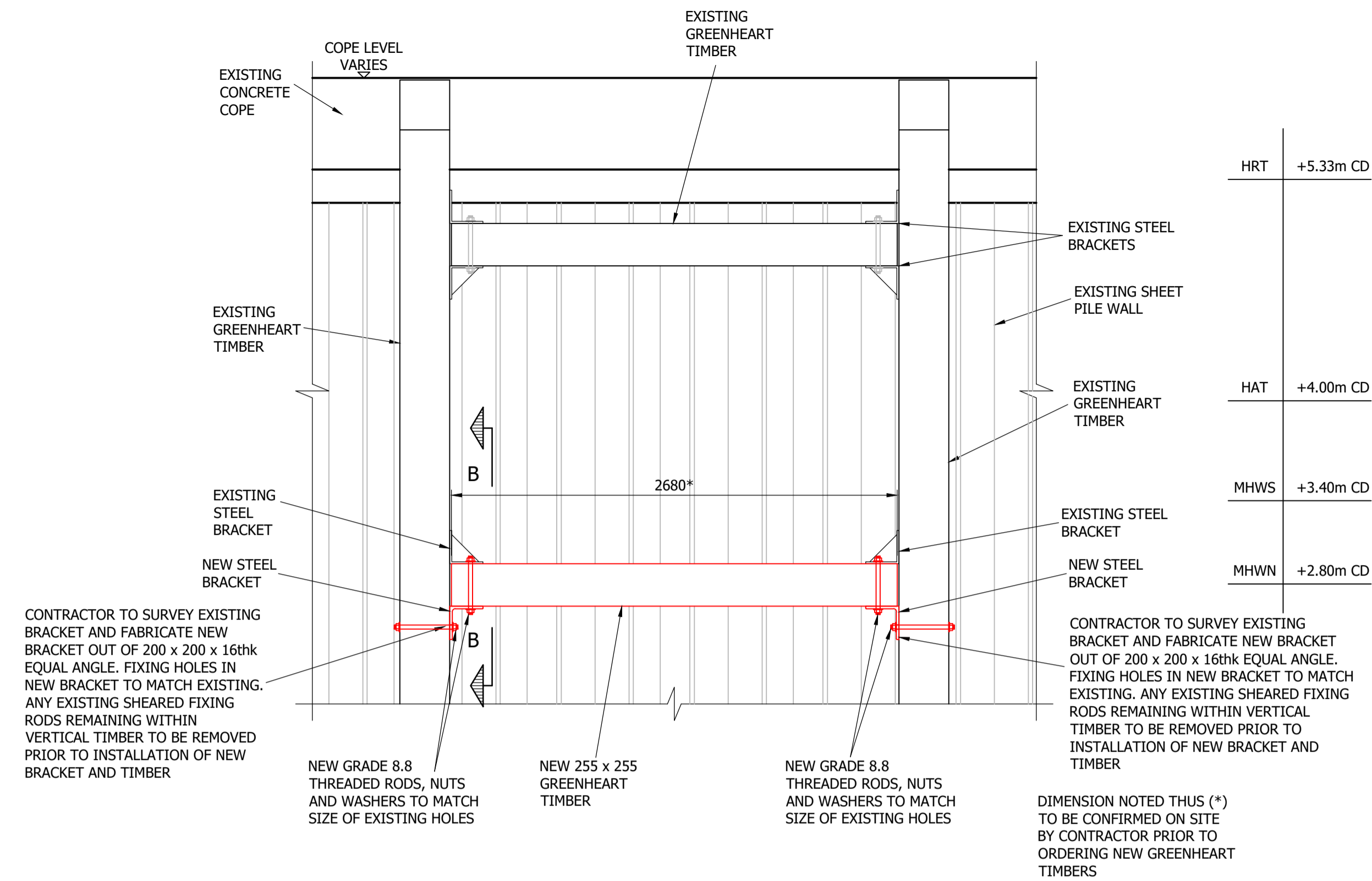


NOTES

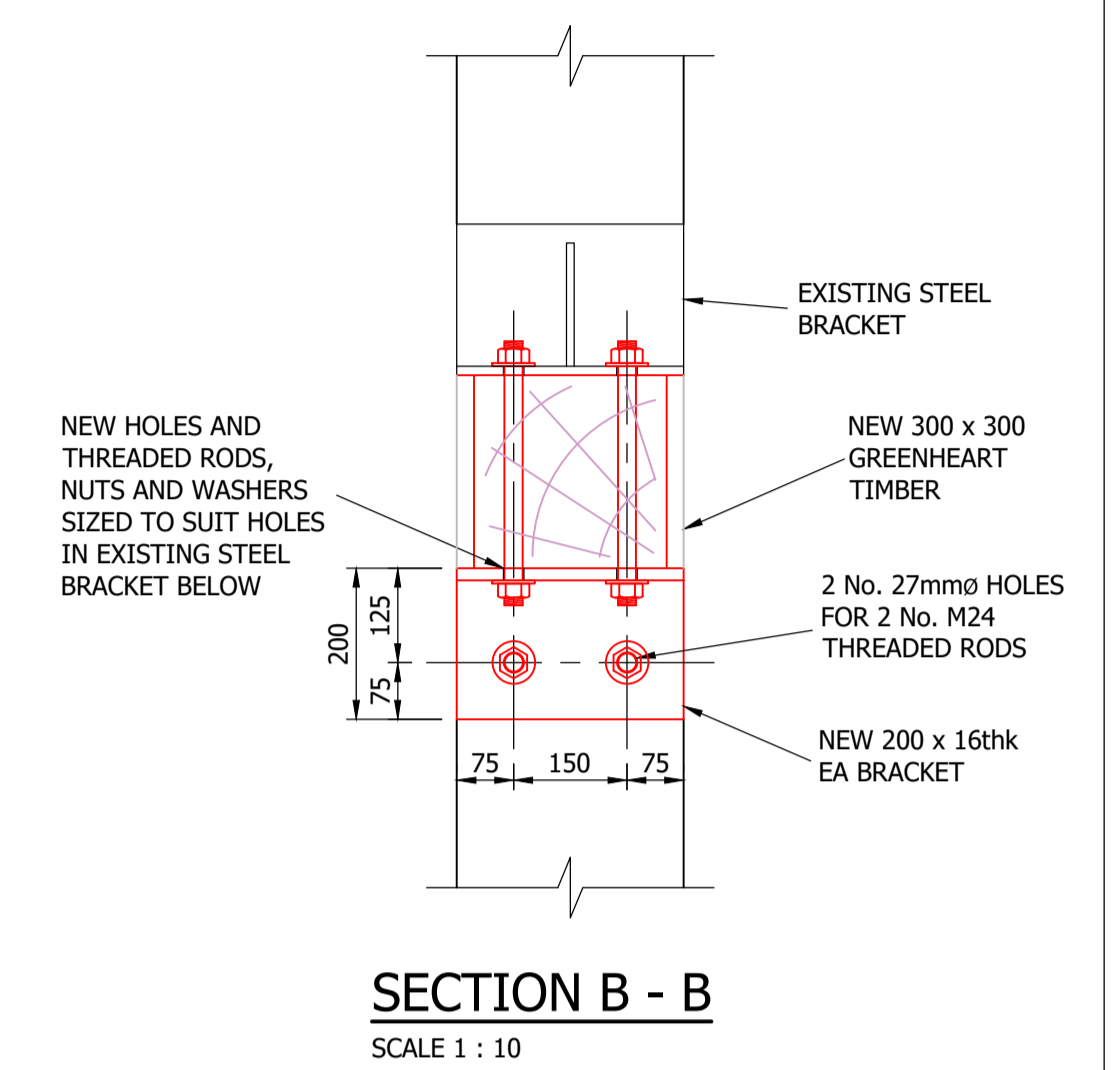
- FOR NOTES REFER TO ARCH HENDERSON DRAWING NUMBER 235053/002.
- FOR LOCATIONS OF TIMBER REPAIRS REFER TO ARCH HENDERSON DRAWING NUMBER 235052/001.



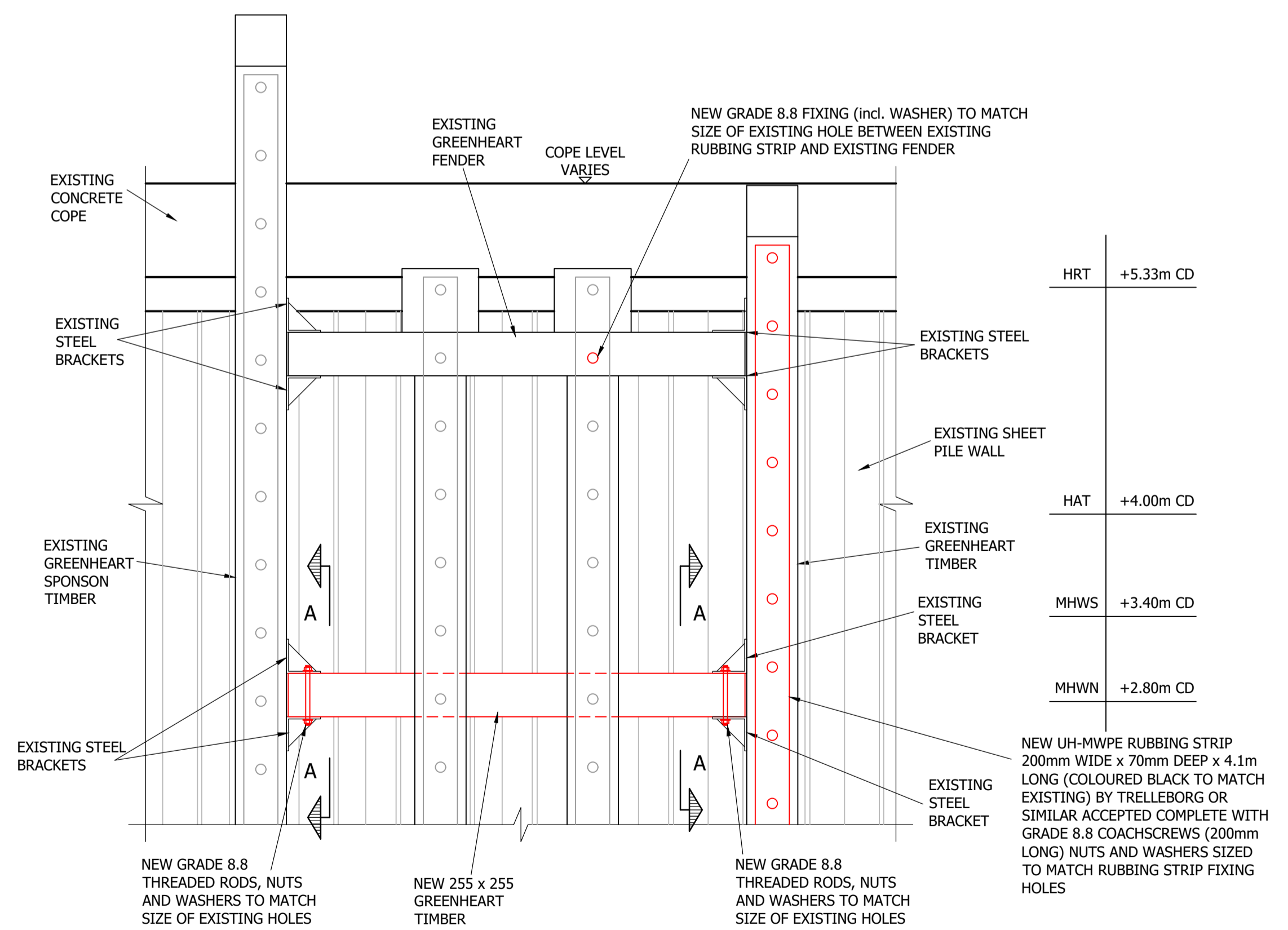
EXISTING ELEVATION ON DISPLACED TIMBERS ch209 TO ch212
SCALE 1 : 25



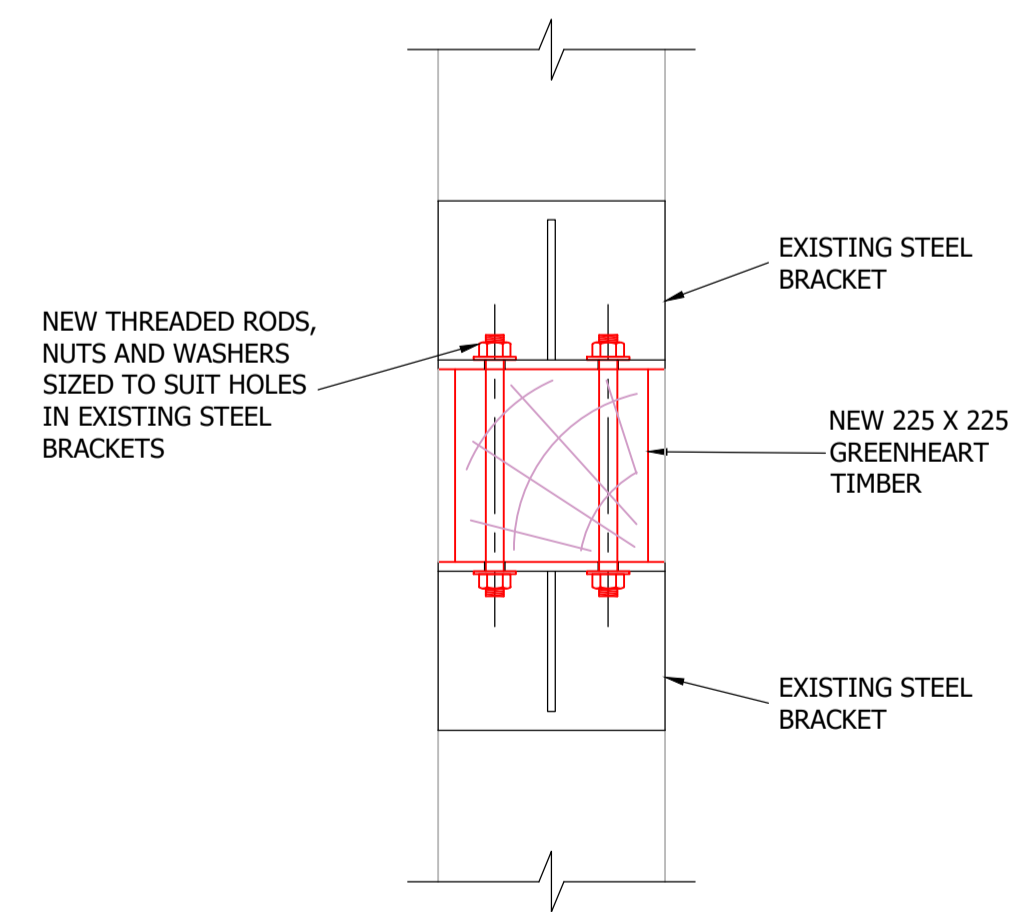
ELEVATION ON MISSING TIMBERS ch271 TO ch274
SCALE 1 : 25



SECTION B - B
SCALE 1 : 10



PROPOSED ELEVATION ON DISPLACED TIMBERS ch209 TO ch212
SCALE 1 : 25



SECTION A - A
SCALE 1 : 10

REV	DATE	REVISION DESCRIPTION	DRN	VER
THIS DRAWING IS COPYRIGHT . DO NOT SCALE FROM THIS DRAWING.				

Arch Henderson 1919

Civil Engineers
Structural Engineers
Principal Designers
Architects
Geotechnical services
Environmental services

142 St. Vincent Street, Glasgow G2 5LA.
Tel : 0141 227 3060 - Fax : 0141 248 9542
www.arch-henderson.co.uk - email : glassgow@arch-henderson.co.uk

Offices in : Aberdeen, Dundee, Falkland Islands, Glasgow, Inverness, Lewick, Southampton, Stranraer and Thurso

PROJECT :			
INVERCLYDE COUNCIL GREENOCK WATERFRONT REMEDIAL WORKS			
TITLE :			
TYPICAL TIMBER REPAIR DETAILS SHEET 2 OF 2			
DRAWN :	DATE :	VERIFIED :	APPROVED :
W.J.	10/11/2023	H.D.	M.S.
SCALE : (A1)	DRAWING STATUS :		
AS SHOWN @ A1	TENDER		
DRAWING No : 235053/005		REV : /	