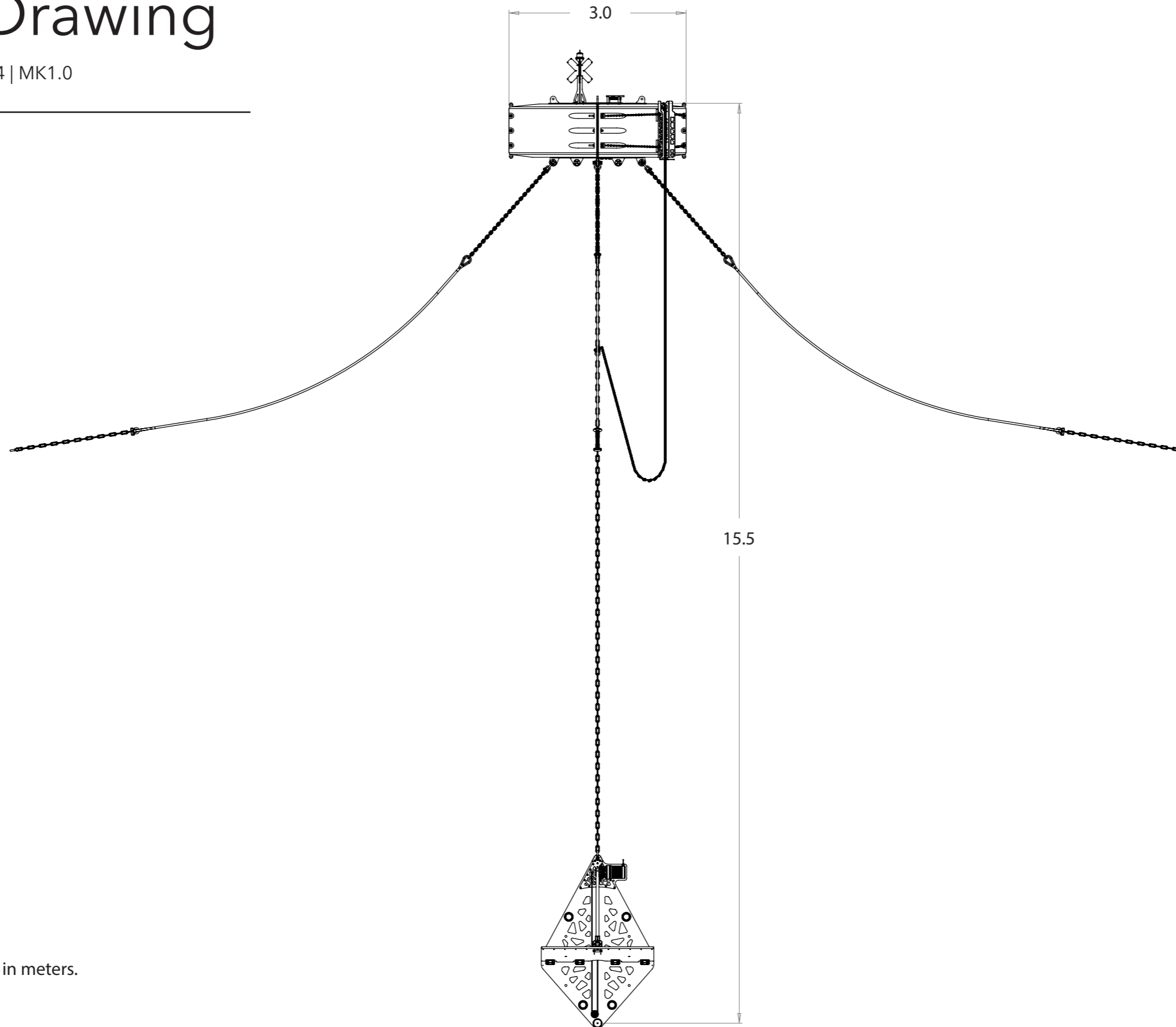


Scaled Drawing

S.Etherington | 05/06/2024 | MK1.0

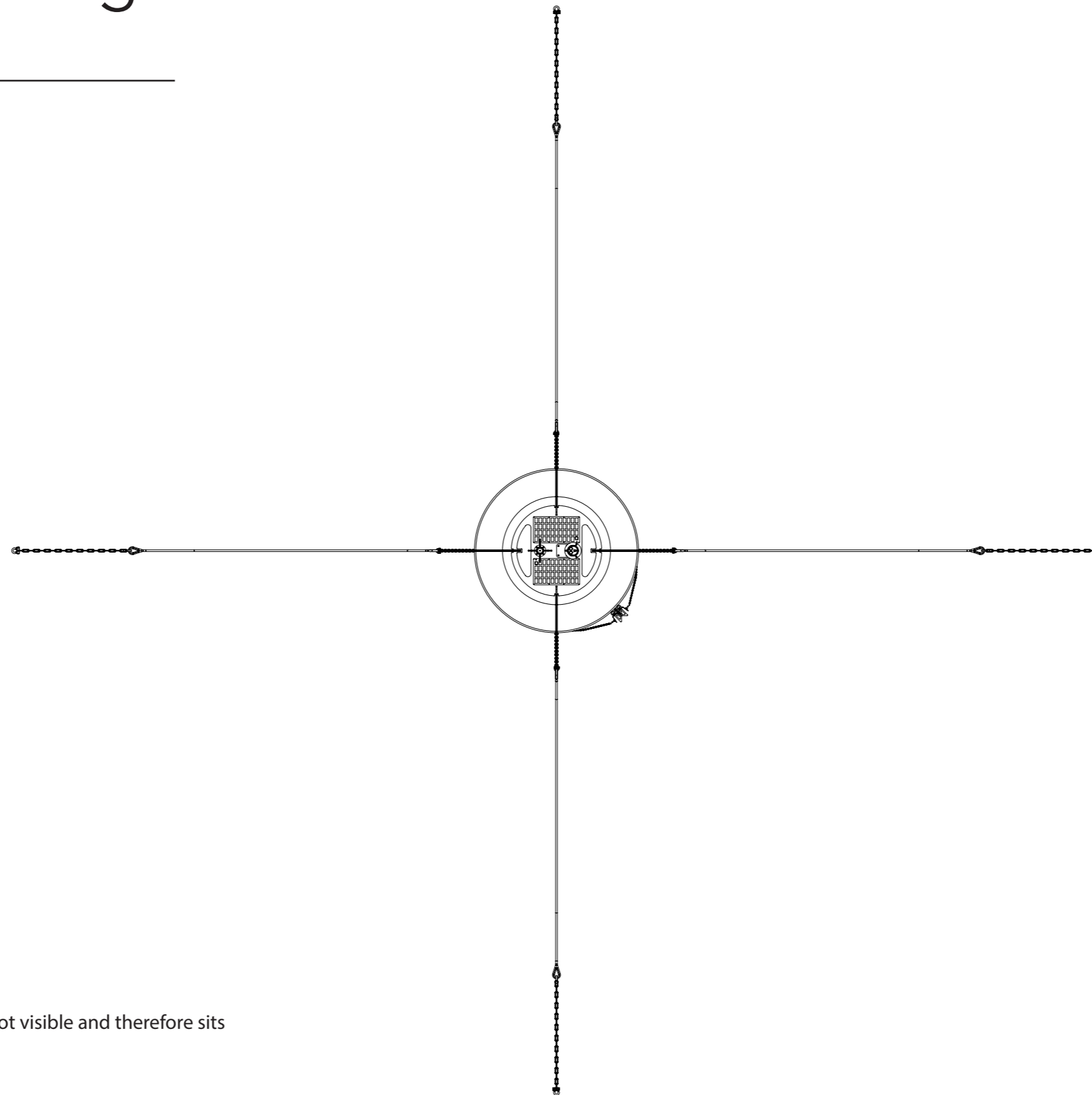
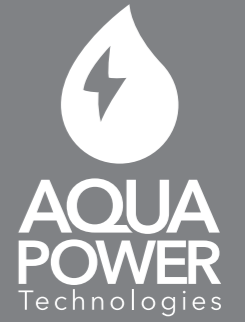


NOTES

Side view. All dimensions are in meters.

Scaled Drawing

S.Etherington | 05/06/2024 | MK1.0



NOTES

Top view. Note the MANTA converter is not visible and therefore sits within the 3 meter diameter of the float.