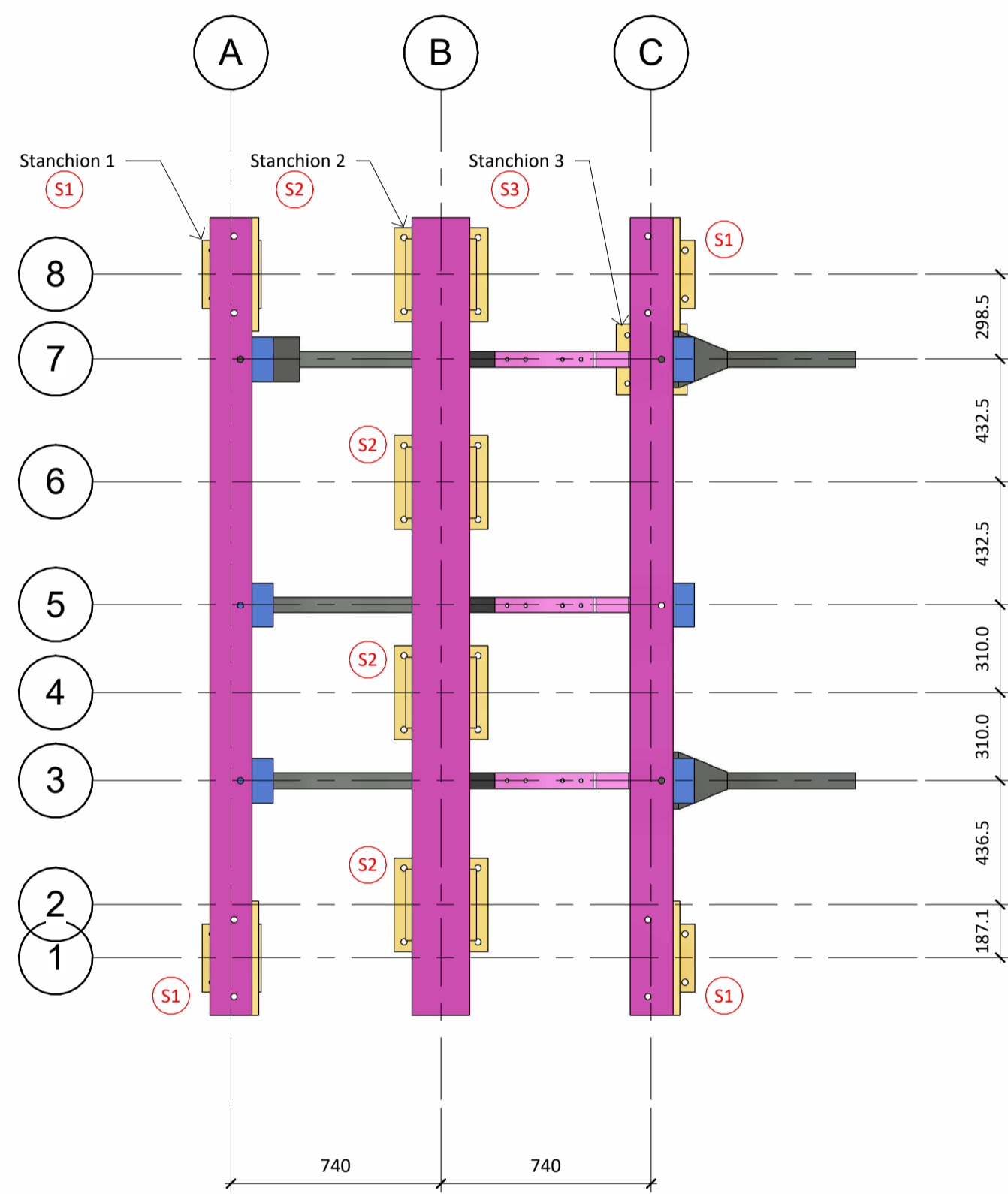
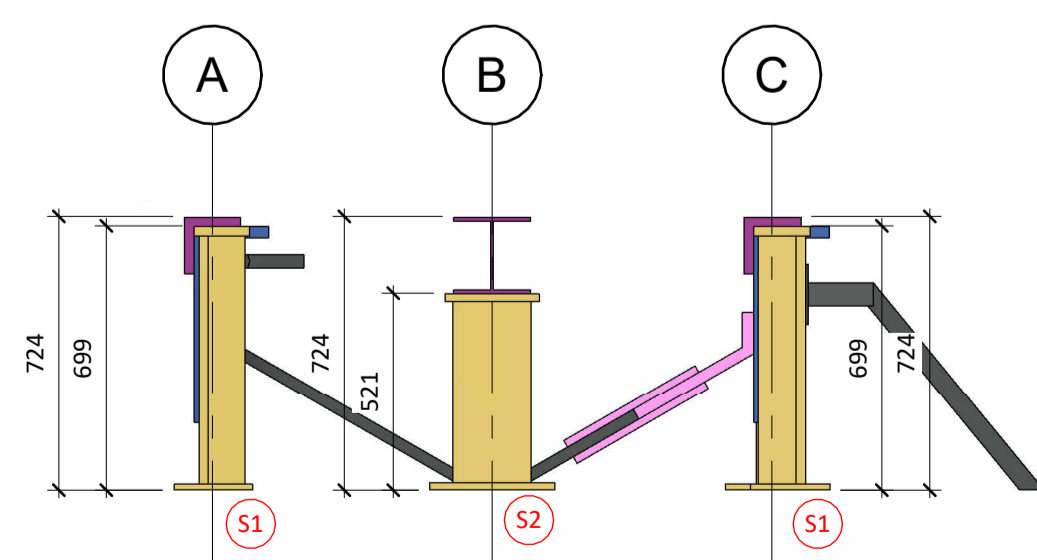


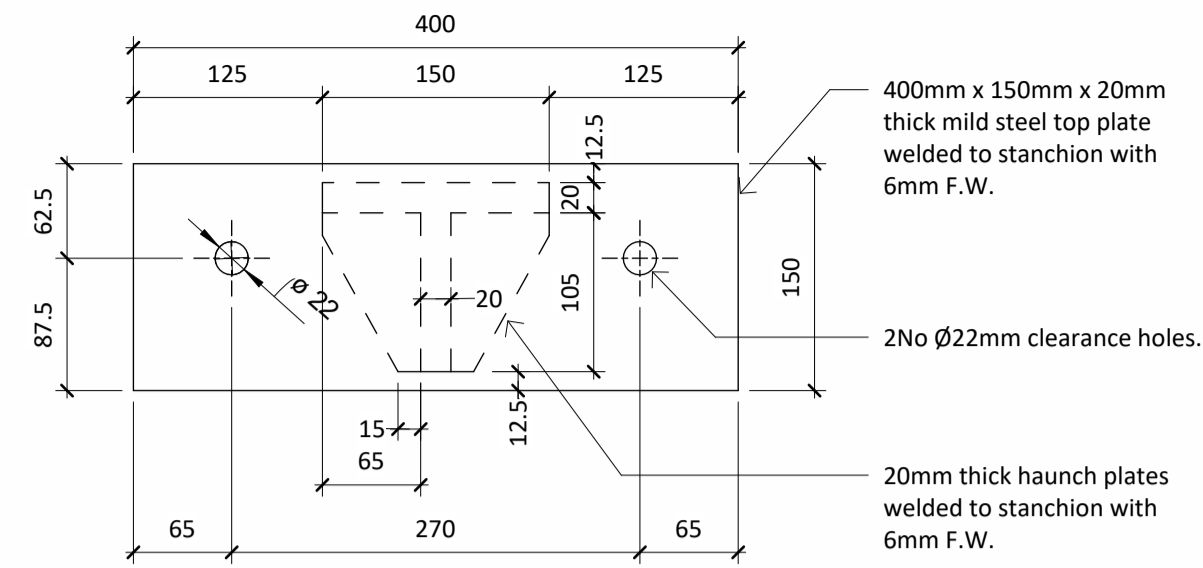
**1 3D View on Proposed Framework**



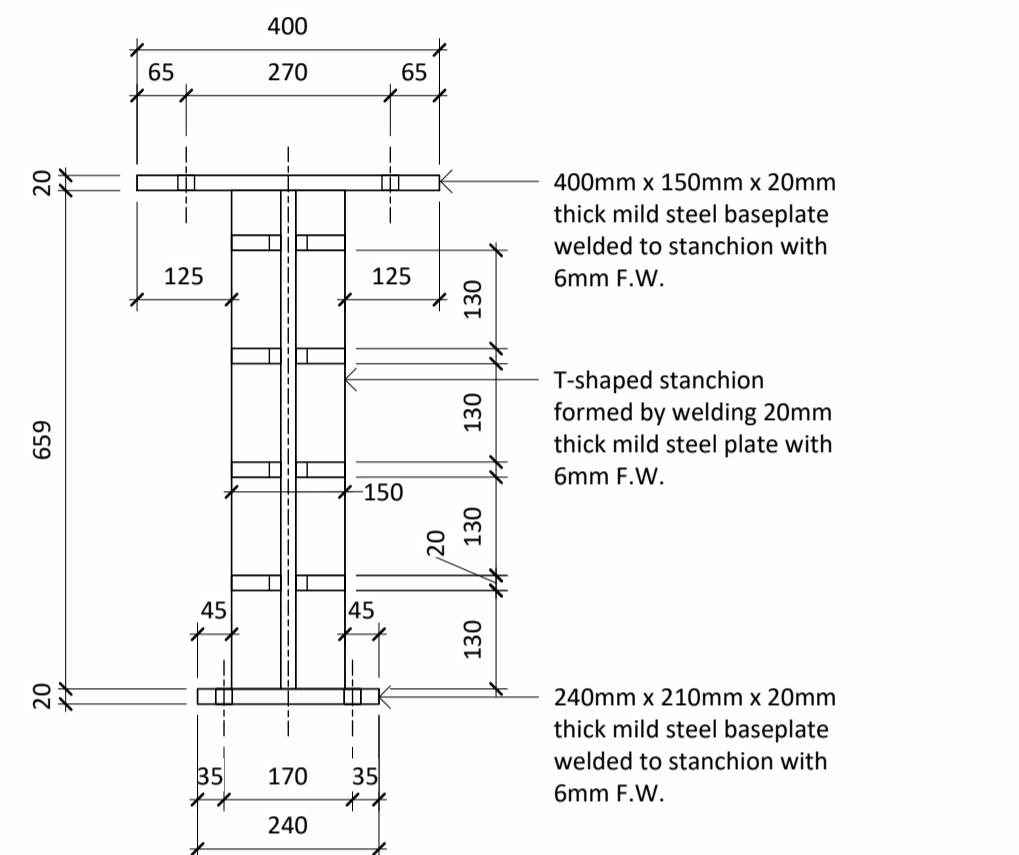
**2 Plan on Proposed Framework**  
1 : 20



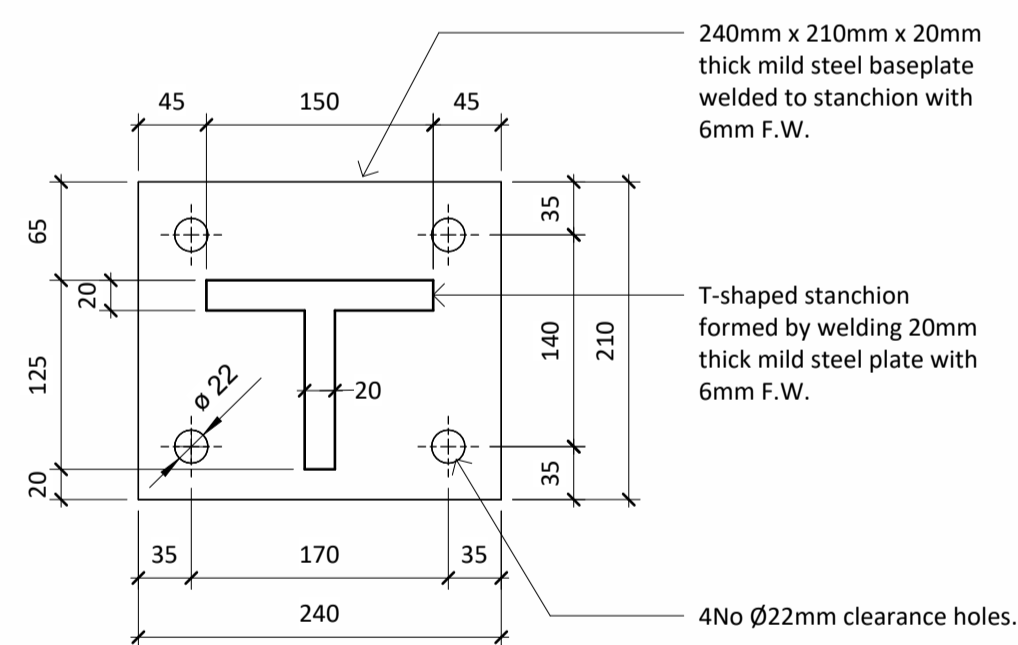
**3 End Elevation on Proposed Framework**  
1 : 20



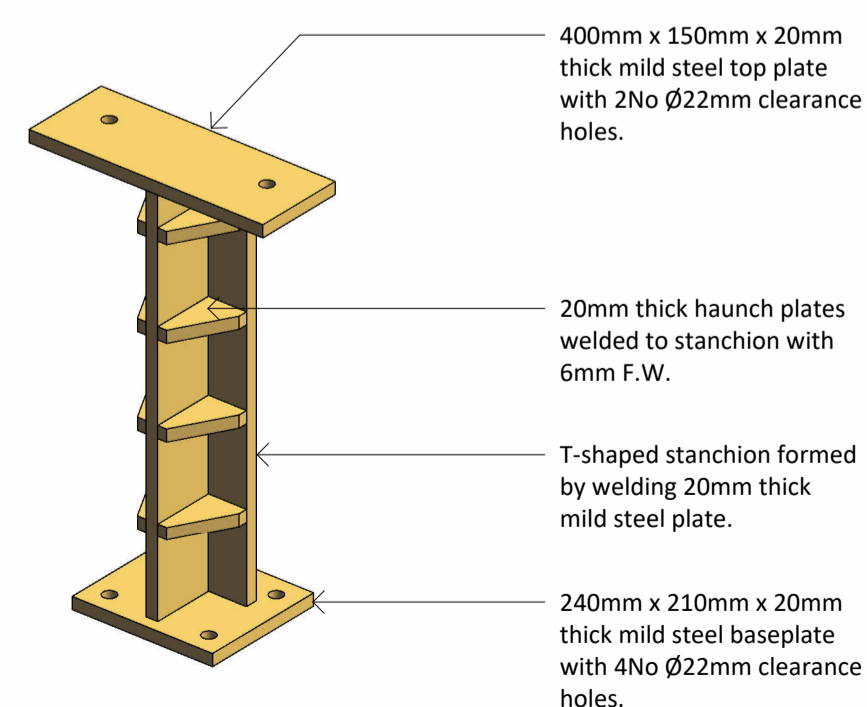
**4 Stanchion 1 - Plan on Top Plate**  
1 : 5



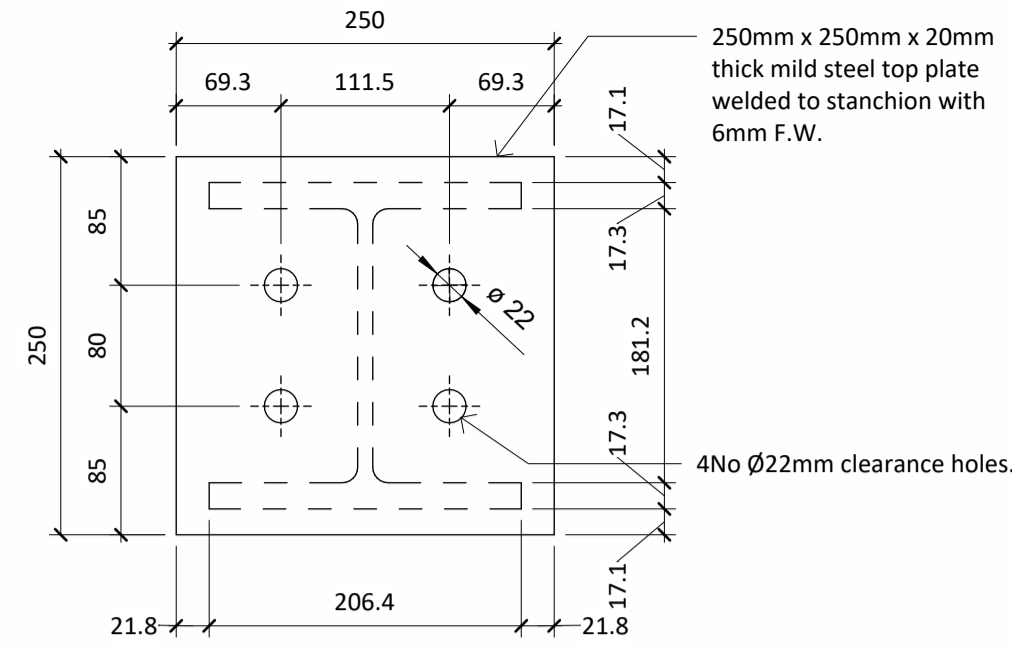
**5 Stanchion 1 - Elevation**  
1 : 10



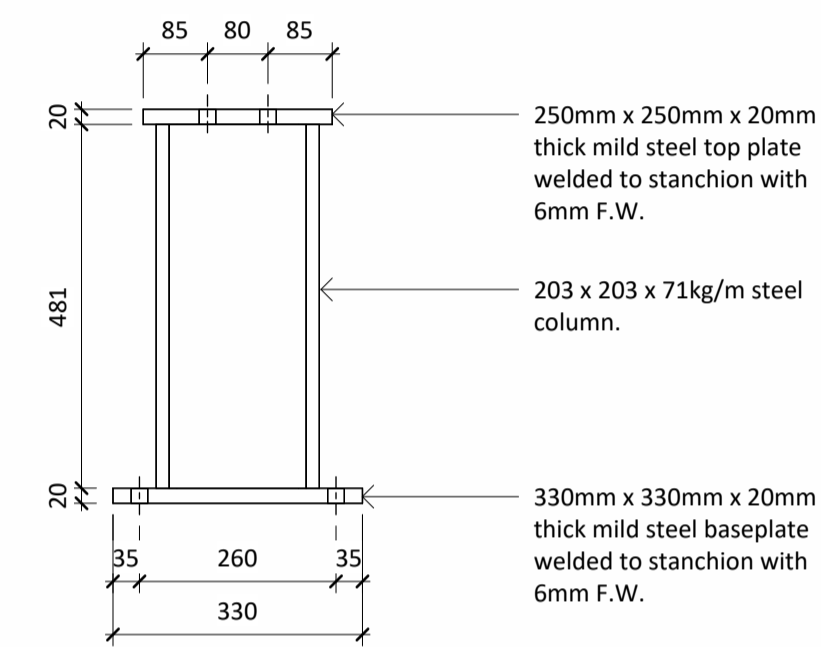
**6 Stanchion 1 - Plan on Baseplate**  
1 : 5



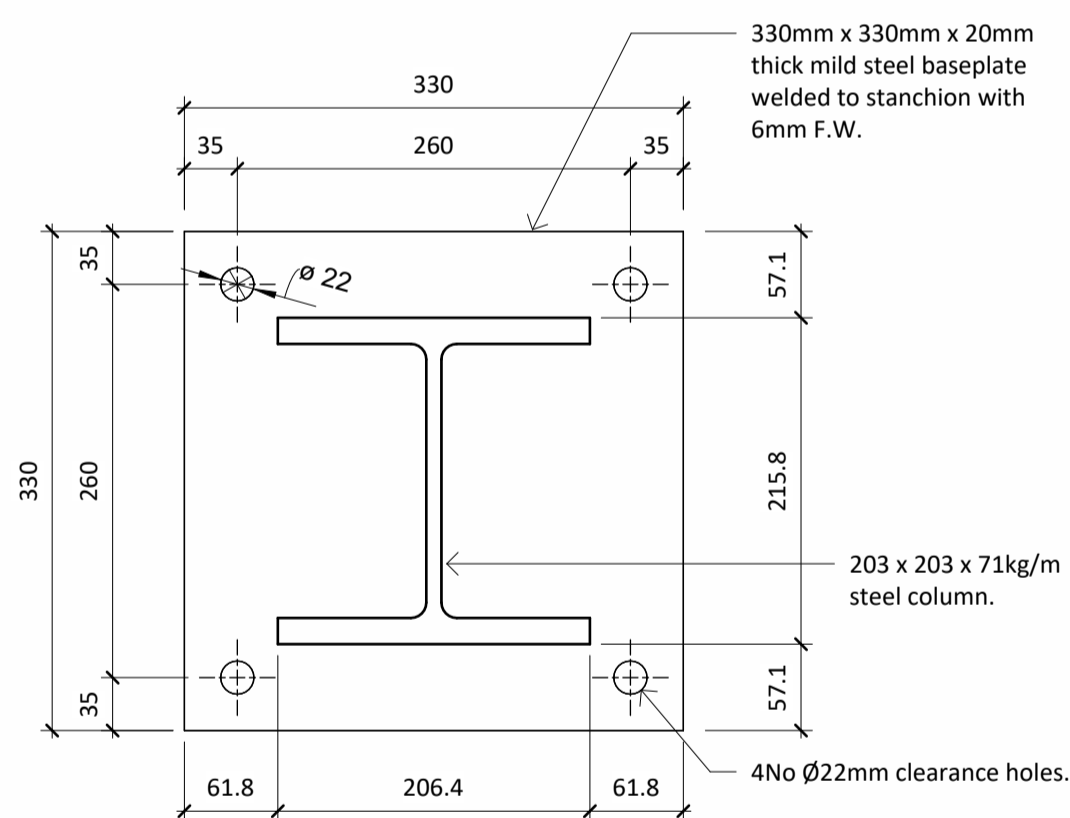
**7 3D View on Stanchion 1**



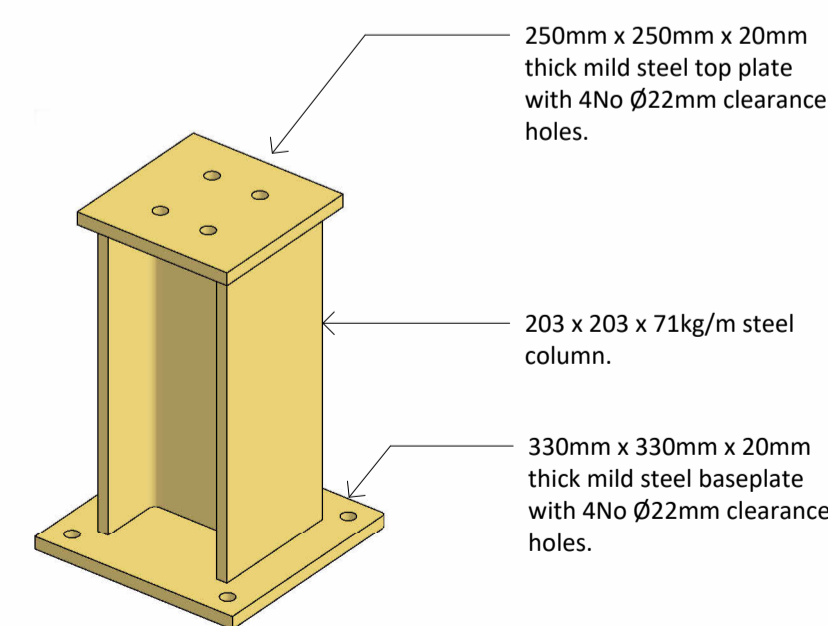
**8 Stanchion 2 - Plan on Top Plate**  
1 : 5



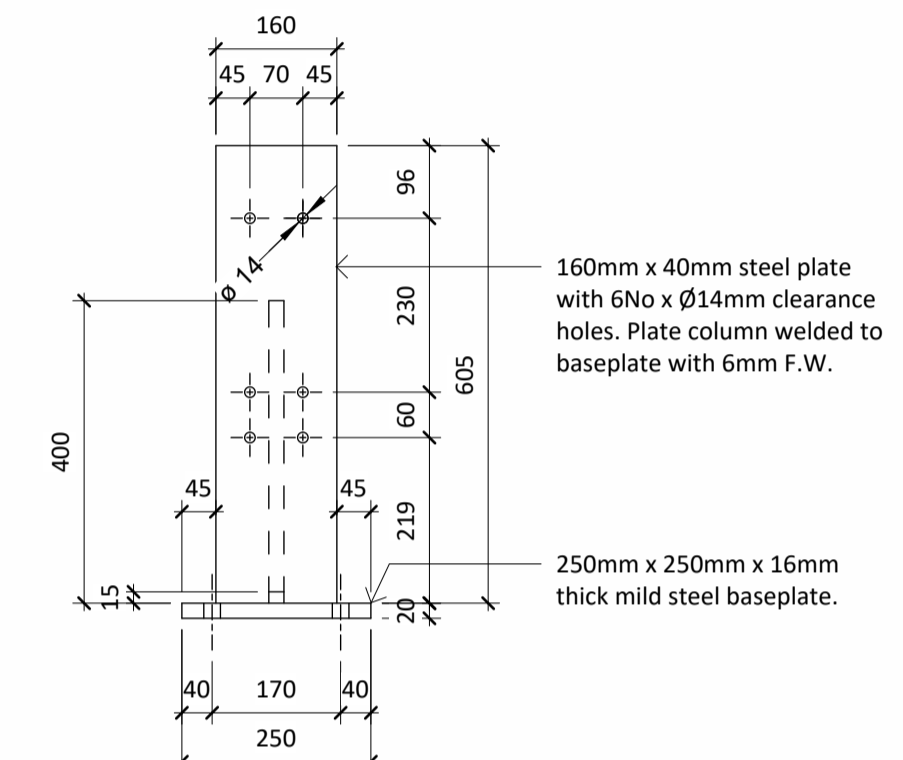
**9 Stanchion 2 - Elevation**  
1 : 10



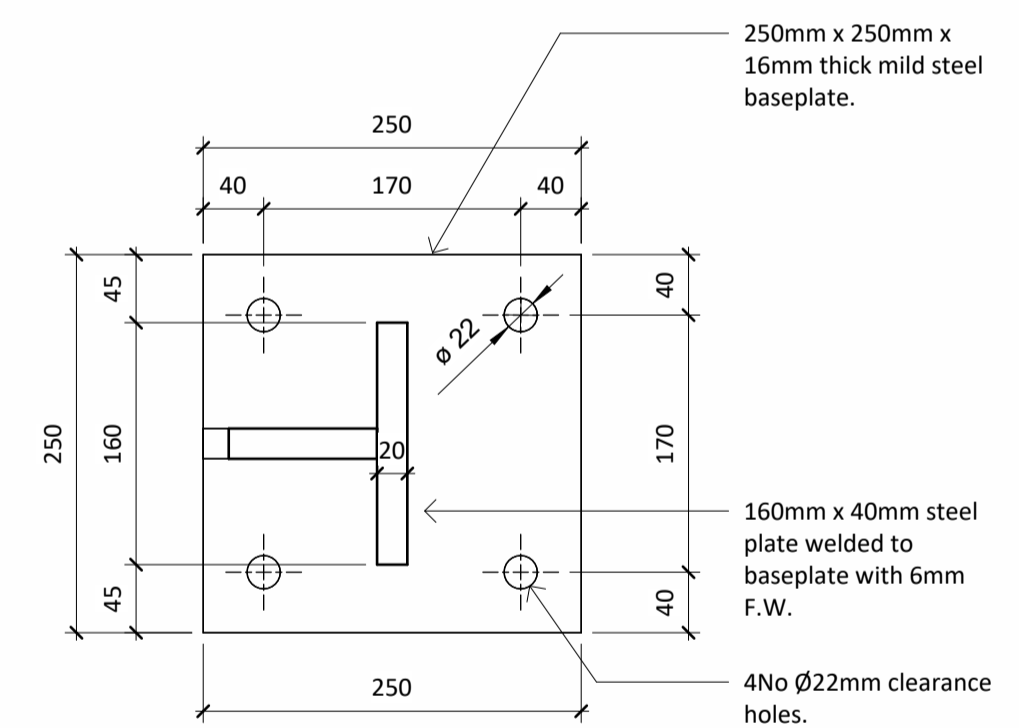
**10 Stanchion 2 - Plan on Baseplate**  
1 : 5



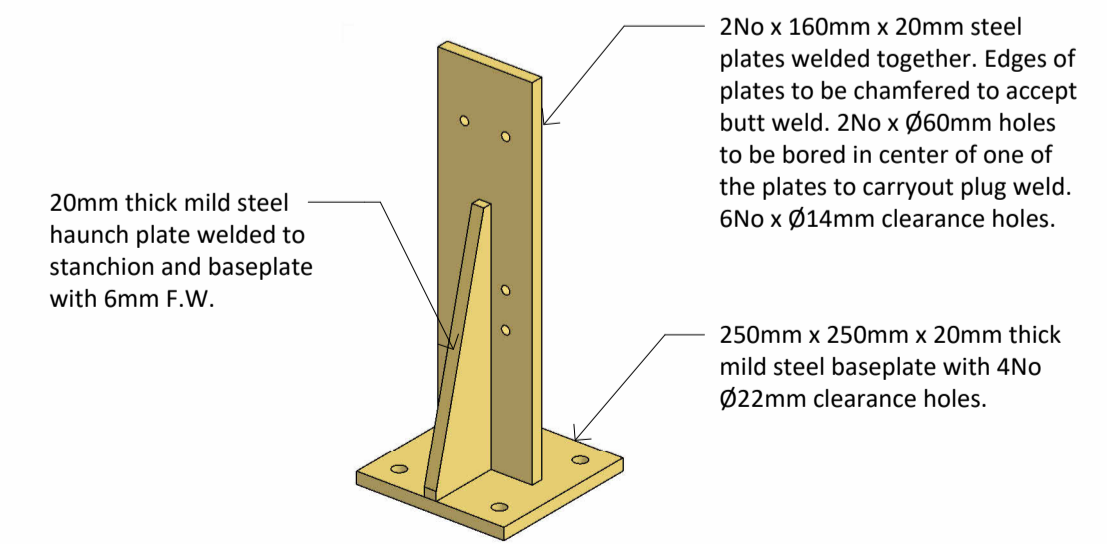
**11 3D View on Stanchion 2**



**12 Stanchion 3 - Elevation**  
1 : 10



**13 Stanchion 3 - Plan on Baseplate**  
1 : 5



**14 3D View on Stanchion 3**

Notes:

Marine Licence

Rev.	Date	Description	By	Ap'd

Northern Lighthouse Board  
Programme and Renewals  
84 George Street  
Edinburgh  
EH2 3DA  
Tel: 0131 473 3100  
E-mail: enquiries@nlb.org.uk  
Website: www.nlb.org.uk



Station Name:  
**Bell Rock Lighthouse**  
(Admiralty No: 3108)

Drawing Title:  
**Grating Platform - Fabrication Details**

Date:	Scale:	Engineer:
12/17/24		
Drawn:	Checked:	Approved:
G. Doctor		
Drawing Number:	C-BEL-SK02	
	Rev.	