



APPENDIX 1

Seagreen Wind Energy Limited

Application for Marine Licence for deployment of a Floating Lidar System, February 2019

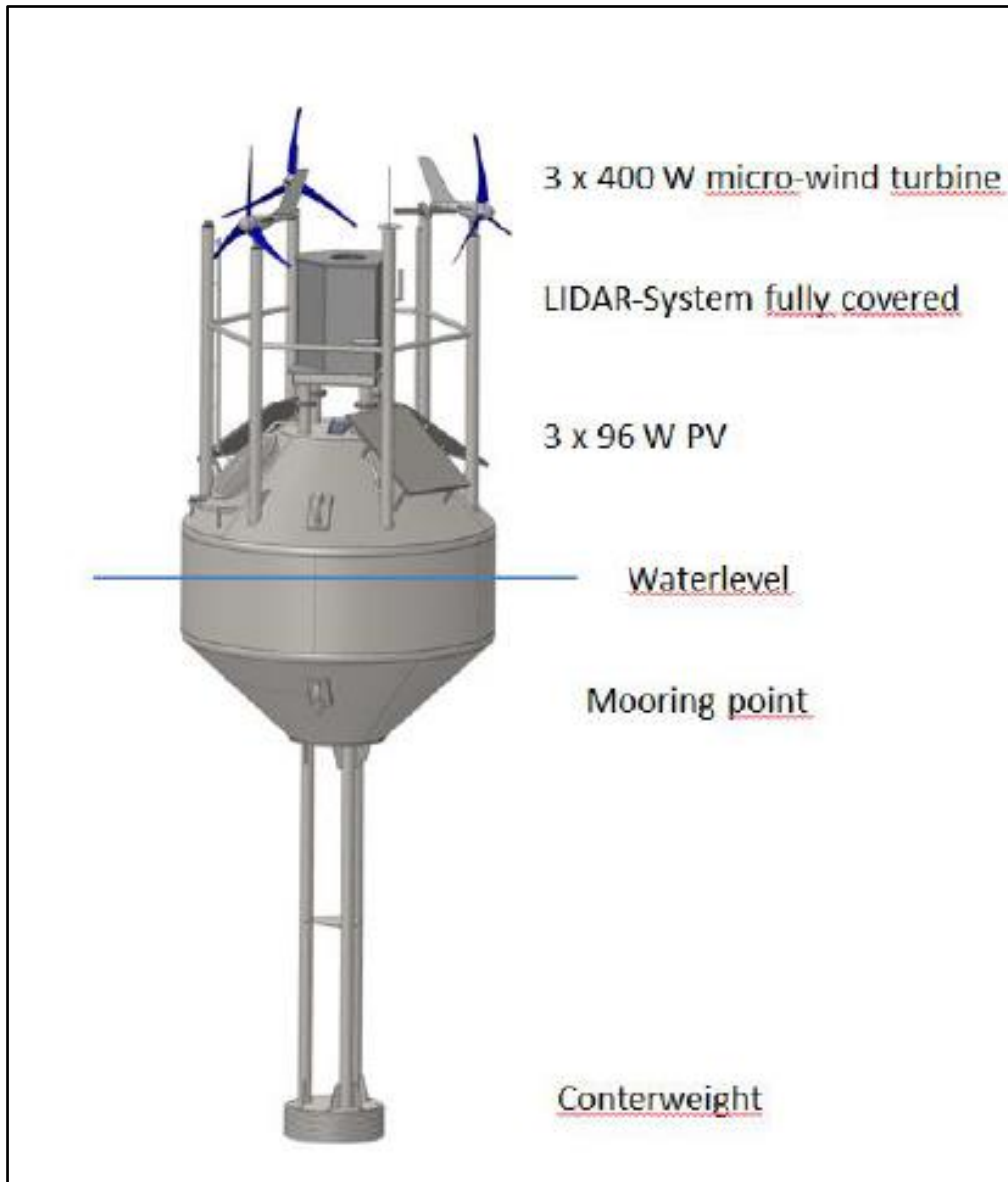


Figure 1: General schematic drawing of the floating LiDAR system.

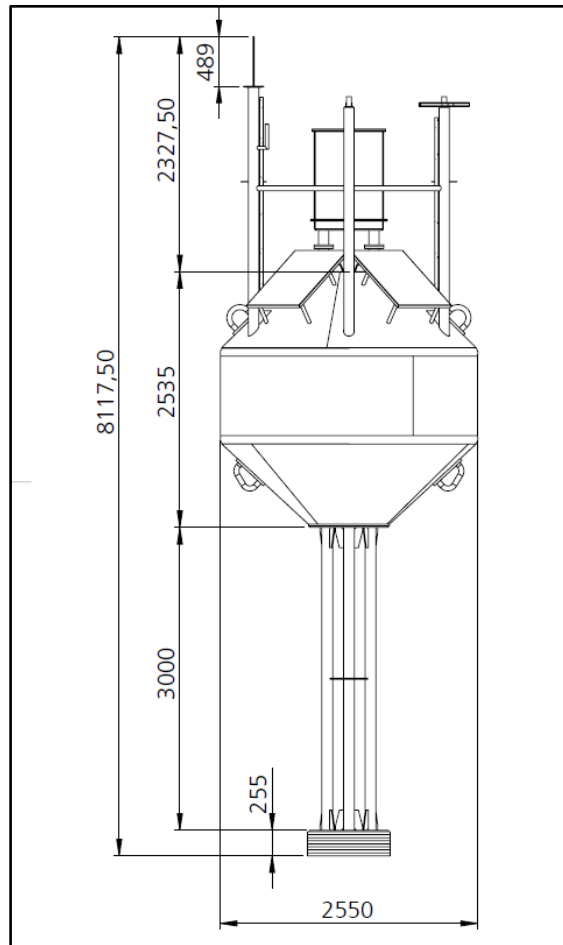


Figure 2: Dimensions (mm) of the floating LiDAR system

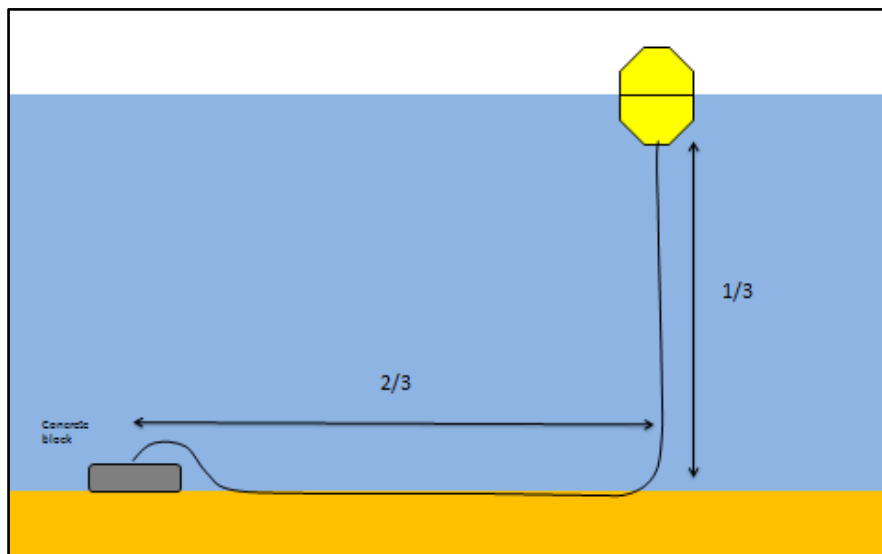


Figure 3: Typical mooring schematic for LiDAR system

(Assumed water depth 50m. Necessary mooring chain length 150m. Maximum excursion radius 141.4m)