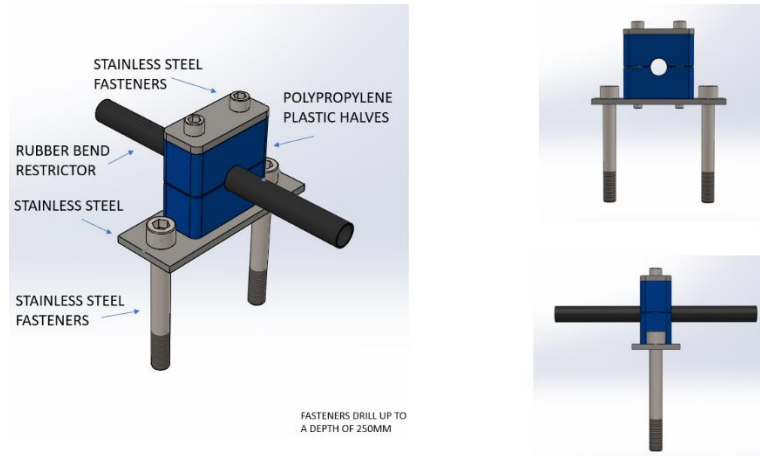


Shefa cable securing options 07-02-19

T/F: +44 (0) 1856 874 725
W: www.leaskmarine.com
E: info@leaskmarine.com

Stainless Steel Cable Clamp

Mobilising cable to the seabed to stop abrasion and damage.



Grout bag securing

To remove weight and movement to cable joint

The joint needs to be supported and mobilised.

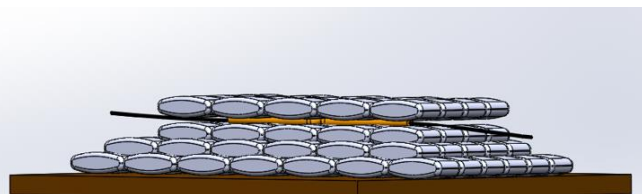
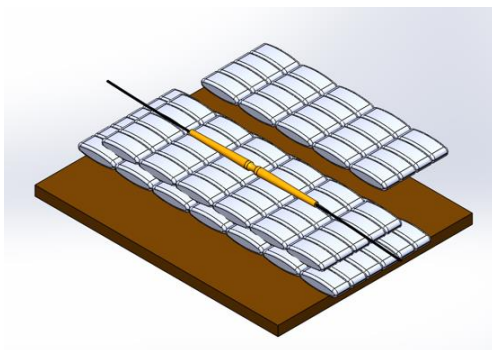
Drilled pins into seabed and resin fixed, grout bags stacked to required height (500mm)

Grout bags built around joint and one bag high over joint, all grout bags stapled together with steel pins. When grout cures (24 hrs) all bags, cable joint and seabed fixings will all be mobilised to the seabed.



Drilled pins for grout bag holding

Stacked grout bags and stapled together
Grout will cure securing all bags together
Grout bags will cover the cable mobilising the joint secure.



Making Marine Renewables Work

Registered in Scotland. No SC292116
Welsh Office:
First Floor, Pier house, Pier Road, Pembroke Dock,
Pembrokeshire, Wales, SA72 6TR

