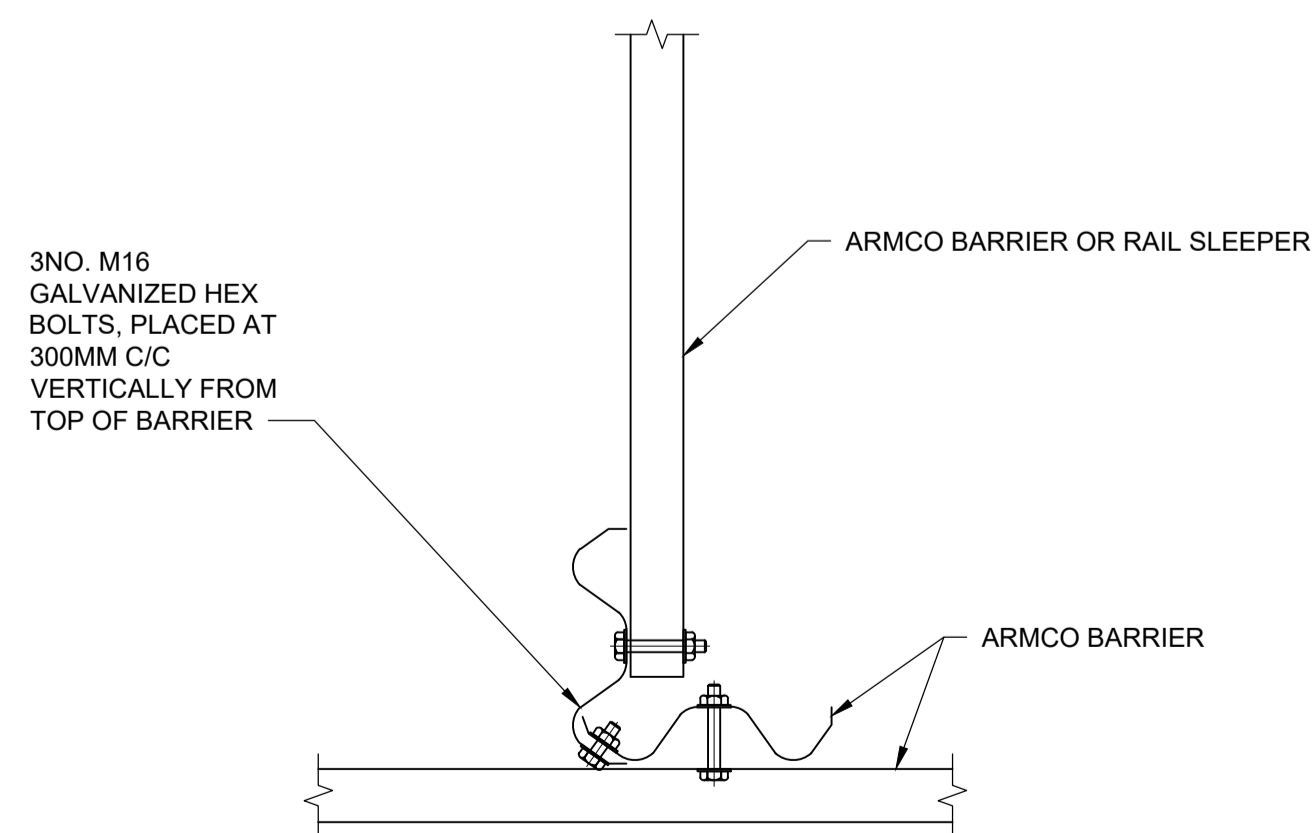
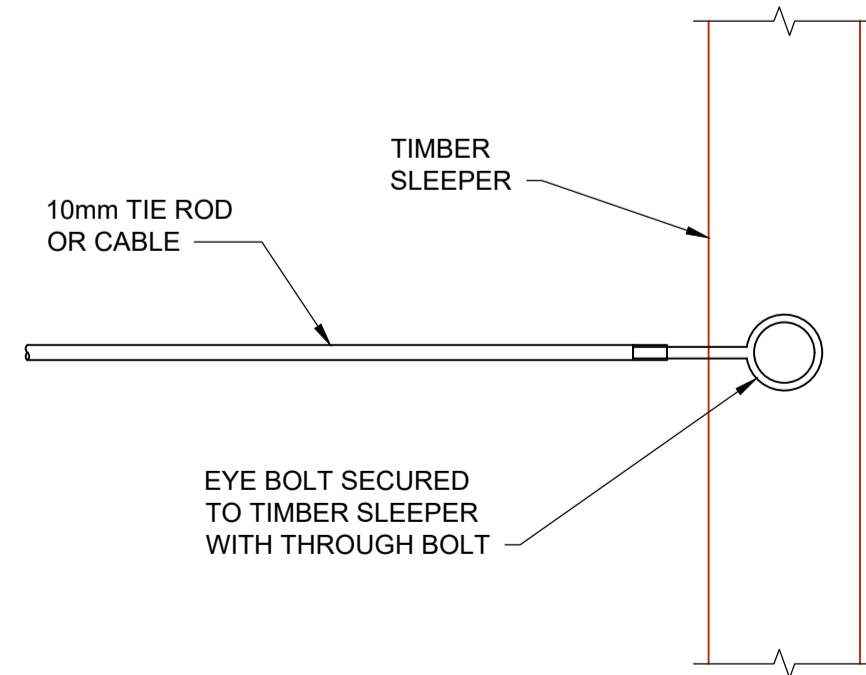


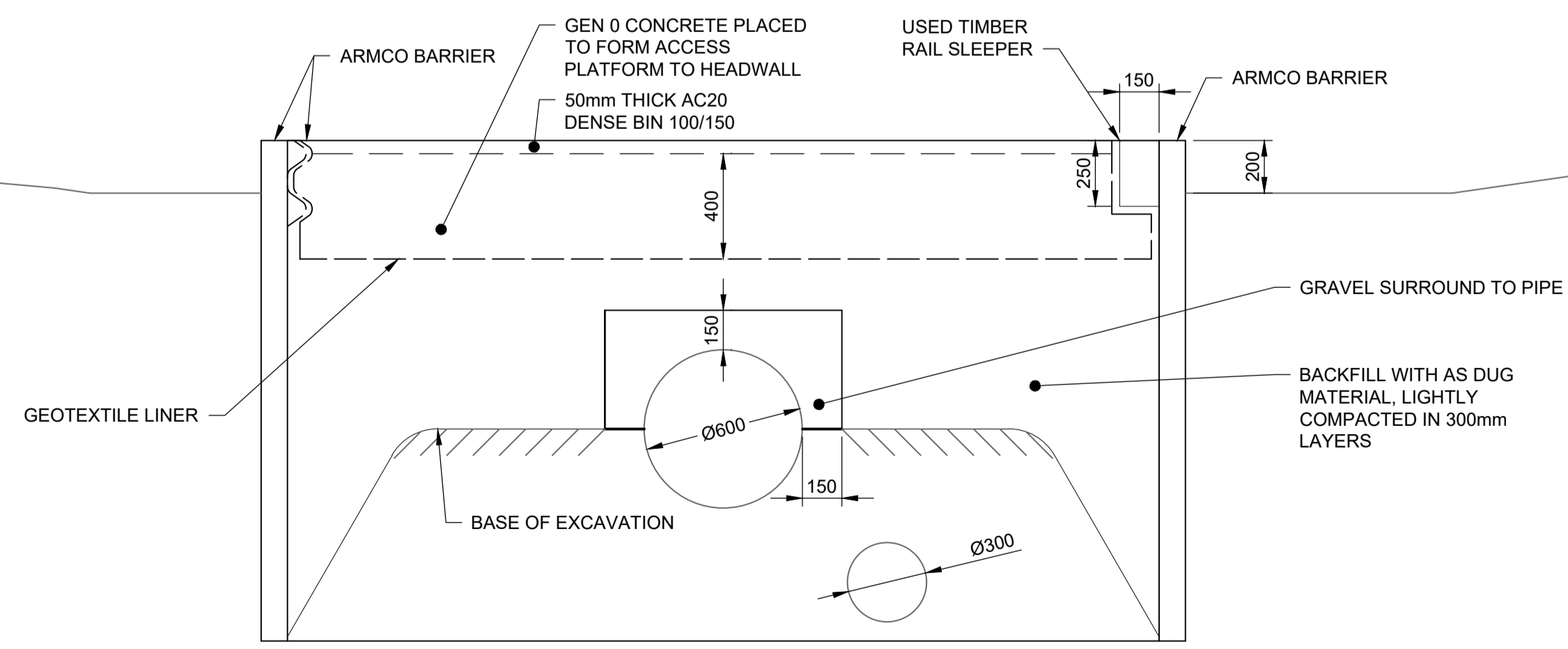
**DETAILED PLAN**  
1:20



**DETAIL 1**  
1:10



**DETAIL 2**  
1:5



**C SECTION**  
1:20

ISSUE/REVISION		
NO.	DATE	DESCRIPTION
D	27/01/2021	ISSUED FOR TENDER
C	26/06/2020	ISSUED FOR TENDER
B	06/03/2020	ISSUED FOR COMMENT
A	14/01/2020	DRAFT
I/R	DATE	DESCRIPTION

**KEY PLAN**

**PROJECT NUMBER**  
60602044

**SHEET TITLE**  
NEW HEADWALL & FLAP VALVES SECTIONS & DETAILS

**SHEET NUMBER**  
60602044-ACM-RS-XX-DR-CE-0003

This drawing has been prepared for the use of AECOM's client. It may not be used, modified, reproduced or relied upon by third parties, except as agreed by AECOM or as required by law. AECOM accepts no responsibility, and denies any liability, whatsoever, to any party that uses or relies on this drawing without AECOM's express written consent. Do not scale this document. All measurements must be obtained from the stated dimensions.