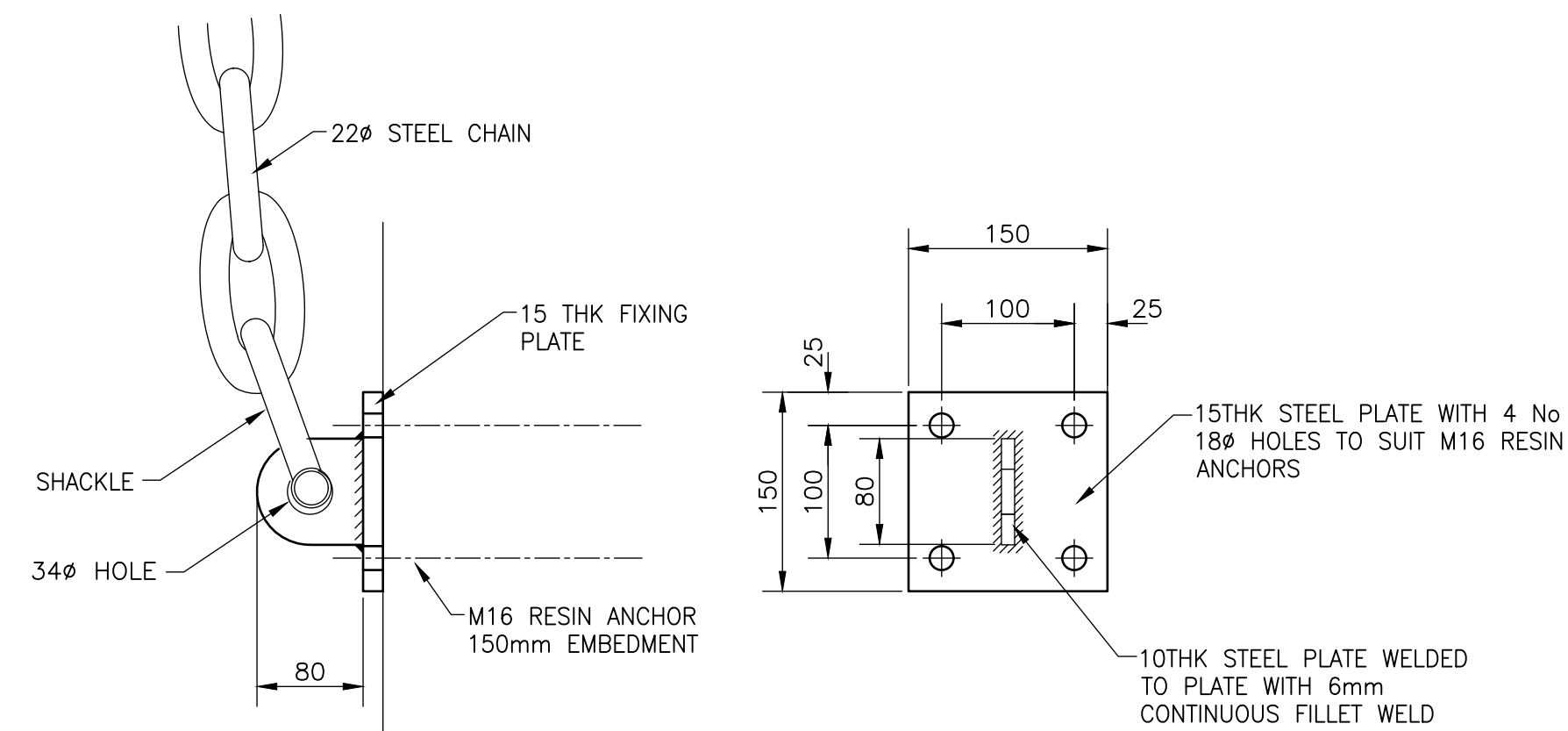


LADDER		
LADDER	QUAY LEVEL	BOTTOM RUNG LEVEL
L1	+3.845	+0.5
L2	+4.124	+0.5
L3	+3.952	+0.5
L4	+3.806	+0.5
L5	+3.930	+0.5
L6	+3.782	+0.5



GRAB CHAINS				
GRAB CHAIN	QUAY LEVEL	CHAIN TOP	BED LEVEL	CHAIN BOTTOM
G1	3.836	3.336	0.962	1.462
G2	4.082	3.582	0.252	0.752
G3	3.934	3.434	0.187	0.687
G4	3.786	3.286	0.626	1.126
G5	3.786	3.286	0.151	0.651
G6	3.919	3.419	-0.606	-0.106
G7	3.988	3.488	-0.432	0.068
G8	3.822	3.322	-0.087	0.413
G9	3.703	3.203	-1.054	-0.554
G10	3.693	3.193	-1.341	-0.841

GENERAL NOTES

- ALL LEVELS ARE IN METRES AND RELATE TO ORDANCE DATUM.
- ALL DIMENSIONS ARE IN MILLIMETRES UNLESS NOTED OTHERWISE.
- CHART DATUM IS 2.1m BELOW ORDANCE DATUM.
- |      |          |          |
|------|----------|----------|
| HAT  | +2.60mOD | +4.70mCD |
| MHWS | +2.00mOD | +4.10mCD |
| MHWN | +1.10mOD | +3.20mCD |
| MSL  | +0.31mOD | +2.41mCD |
| MLWN | -0.50mOD | +1.60mCD |
| MLWS | -1.40mOD | +0.70mCD |
| LAT  | -2.00mOD | +0.10mCD |
- RESIN ANCHOR BOLTS HAS ROD GRADE 8.8 GALVANISED STEEL. RESIN ANCHOR SYSTEM HILTI HIT RE500.
- ALL STEELWORK GRADE S355J0.
- ALL BOLTS, NUTS AND WASHERS GALVANISED GRADE 8.8 UNLESS NOTED OTHERWISE.
- ALL STEELWORK HOT DIP GALVANISED IN ACCORDANCE WITH THE SPECIFICATION. ALL GALVANISING TO BS EN ISO 1461 (140 MICRONS)
- ALL WELDS 8mm CONTINUOUS FILLET WELDS UNLESS NOTED OTHERWISE.

REV	DATE	DETAILS	DRAWN	CHK'D	APP'D
A	01.08.22	"THE CROWN ESTATE" AMENDED TO "CROWN ESTATE SCOTLAND"	JG	TR	TR

AMENDMENTS

CLIENT  
CROWN ESTATE SCOTLAND

PROJECT  
PORTGORDON HARBOUR MAINTENANCE AND REPAIRS

**Wallace Stone**  
Consulting Civil Engineers

GLASGOW 0141 554 8233 glosgow@wallacestone.co.uk  
DINGWALL 01349 866775 dingwall@wallacestone.co.uk

HEBRIDES 01851 612454 hebrides@wallacestone.co.uk

DRAWING TITLE

LADDER AND GRAB CHAIN DETAILS

DRAWN	CHECKED	APPROVED
JHG	NG	TR
DATE	DATE	DATE
11.07.22	28.07.22	28.07.22

SCALE (A1)	STAGE
AS SHOWN	TENDER
REVISION	
A	

PROJECT No.	DRAWING No.
2226	102