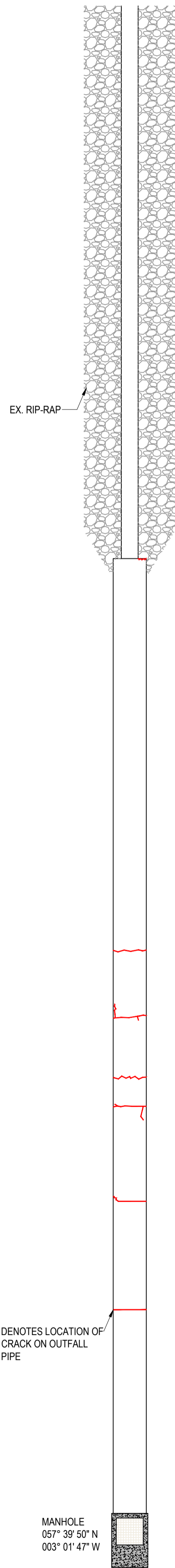
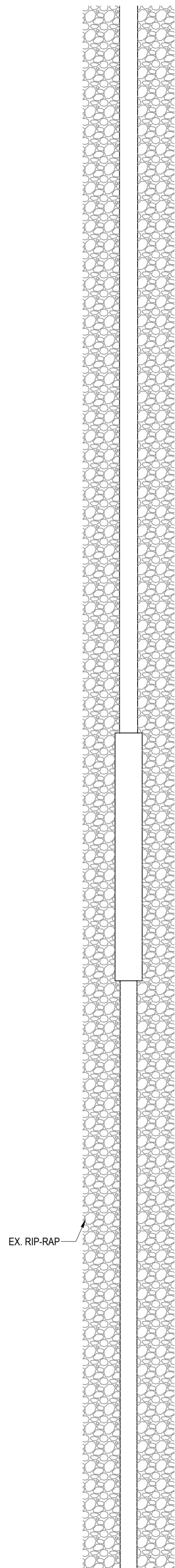


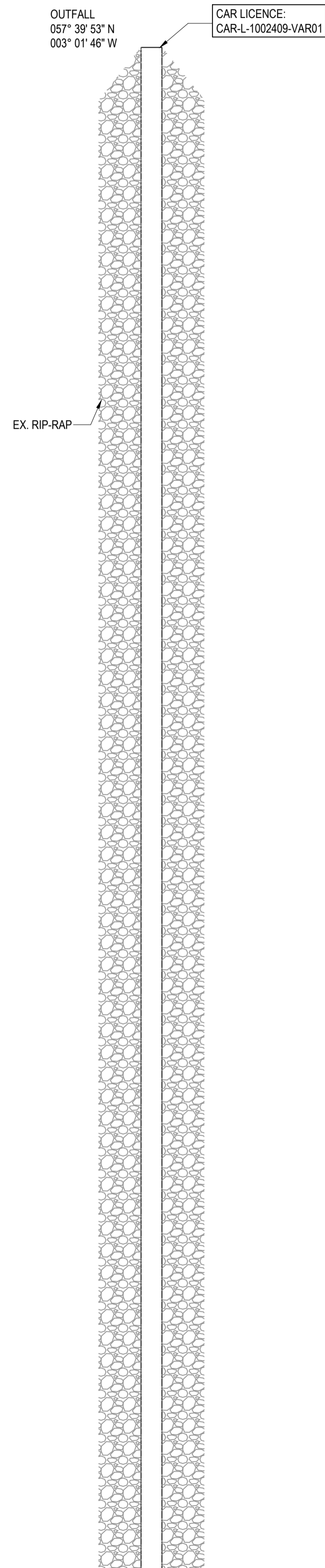
FULL PLAN VIEW
1:250



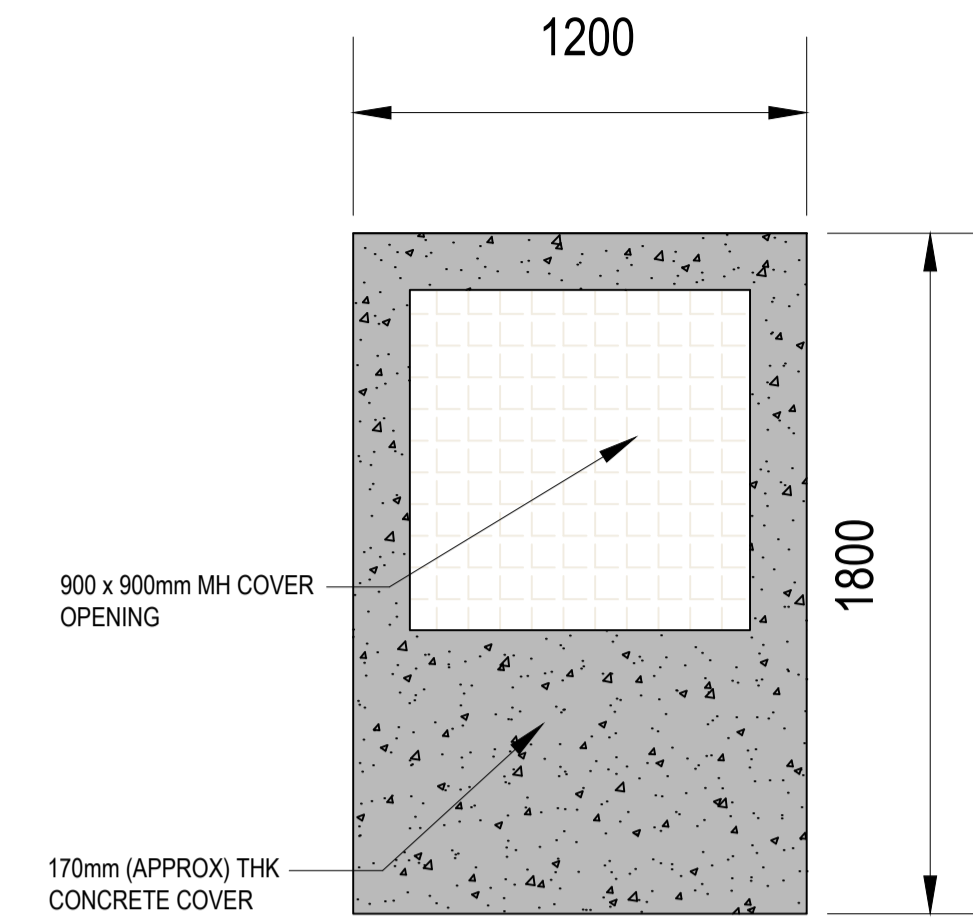
VIEWPORT A
1:100



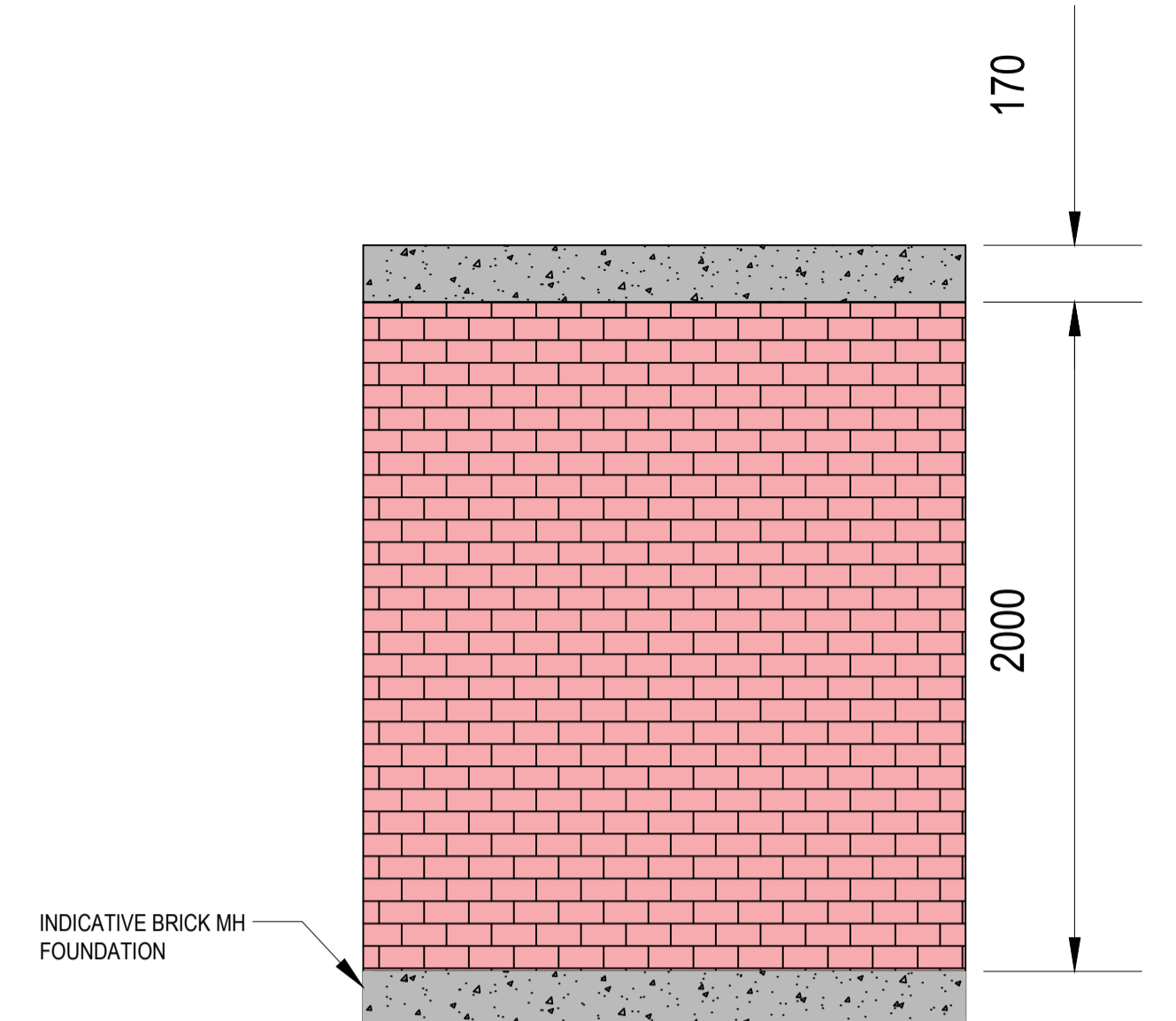
VIEWPORT B
1:100



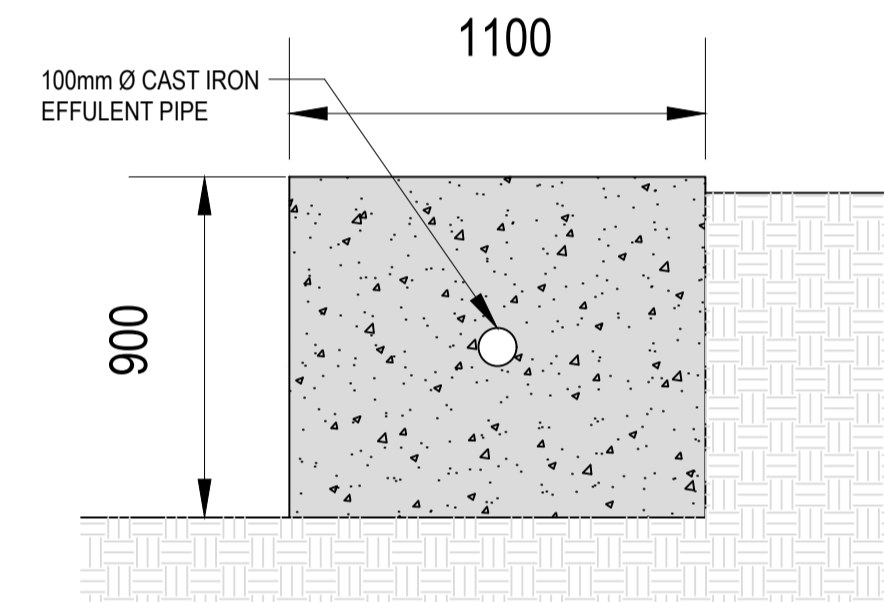
VIEWPORT C
1:100



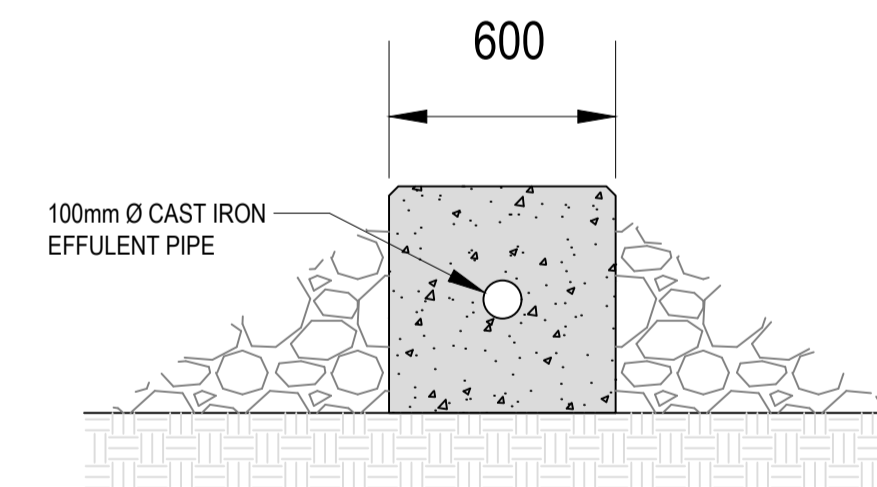
BRICK MH PLAN
1:20



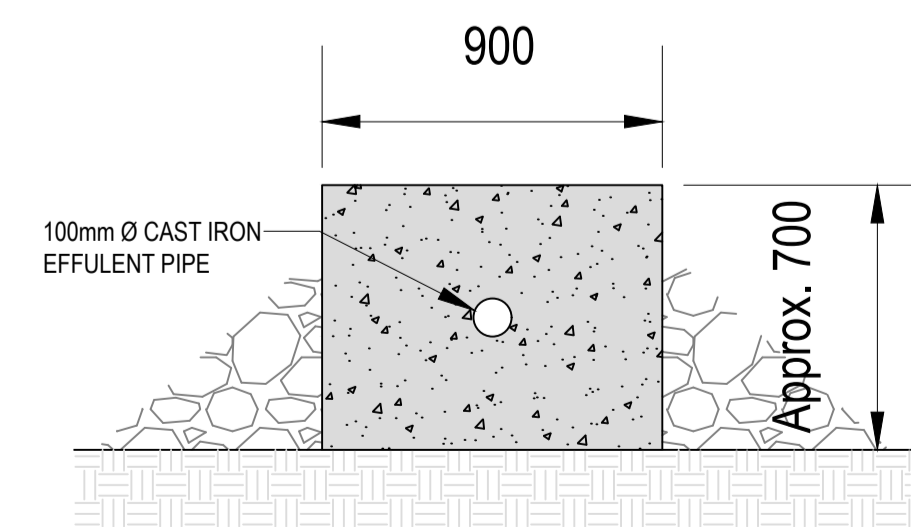
BRICK MH ELEVATION
1:20



SECTION A-A
1:20



SECTION B-B
1:20



SECTION C-C
1:20

Revisions	Date	Drn.
P01 FIRST ISSUE	19/01/2026	GB

**PRELIMINARY
DRAWING**

CRISP MALT

PORTGORDON SHORT
SEA OUTFALL

EXISTING OUTFALL PIPE
PLAN & SECTIONS

Drawn: GB	Ck'd: CNS	Scale: AS NOTED
Date: JAN.26	Date: JAN.26	DO NOT SCALE

BLYTH BLYTH
Suite 3/5, Skypark 1, 8 Elliot Place
Glasgow G3 8EP
Email: glasgow@blythandblyth.co.uk Telephone: 0141 566 2000
www.blythandblyth.co.uk Fax: 0141 566 2001

Drawing No.	Revision
GC23615-BLY-XX-XX-D2-CS-0003	P01