

HEADWALL CONSTRUCTION WORKS BOUNDARY  
 20m x 15m  
 COORDINATES:  
 56°27'55.94"N 2°55'47.21"W  
 56°27'55.95"N 2°55'45.92"W  
 56°27'55.47"N 2°55'45.89"W  
 56°27'55.47"N 2°55'47.05"W

PROPOSED OUTFALL: IL +2.692m AOD  
 MHSW: IL +2.700m AOD  
 STANDARD HEADWALL  
 56°27'55.65"N 2°55'46.49"W  
 SEE DETAILS BELOW

Do not scale from this drawing.

**SAFETY HEALTH AND ENVIRONMENTAL INFORMATION**

IN ADDITION TO THE HAZARD/RISKS NORMALLY ASSOCIATED WITH THE TYPES OF WORK DETAILED ON THIS DRAWING, NOTE THE FOLLOWING RISKS AND INFORMATION.

RISKS LISTED HERE ARE NOT EXHAUSTIVE. REFER TO DESIGN ASSESSMENT FORM NO.

**CONSTRUCTION**  
 WORKING ADJACENT TO LIVE ROADWAY.  
 WORKING AT HEIGHT.  
 WORKING IN DEEP EXCAVATIONS.  
 WORKING IN MADE GROUND, UNCHARTED SERVICES.

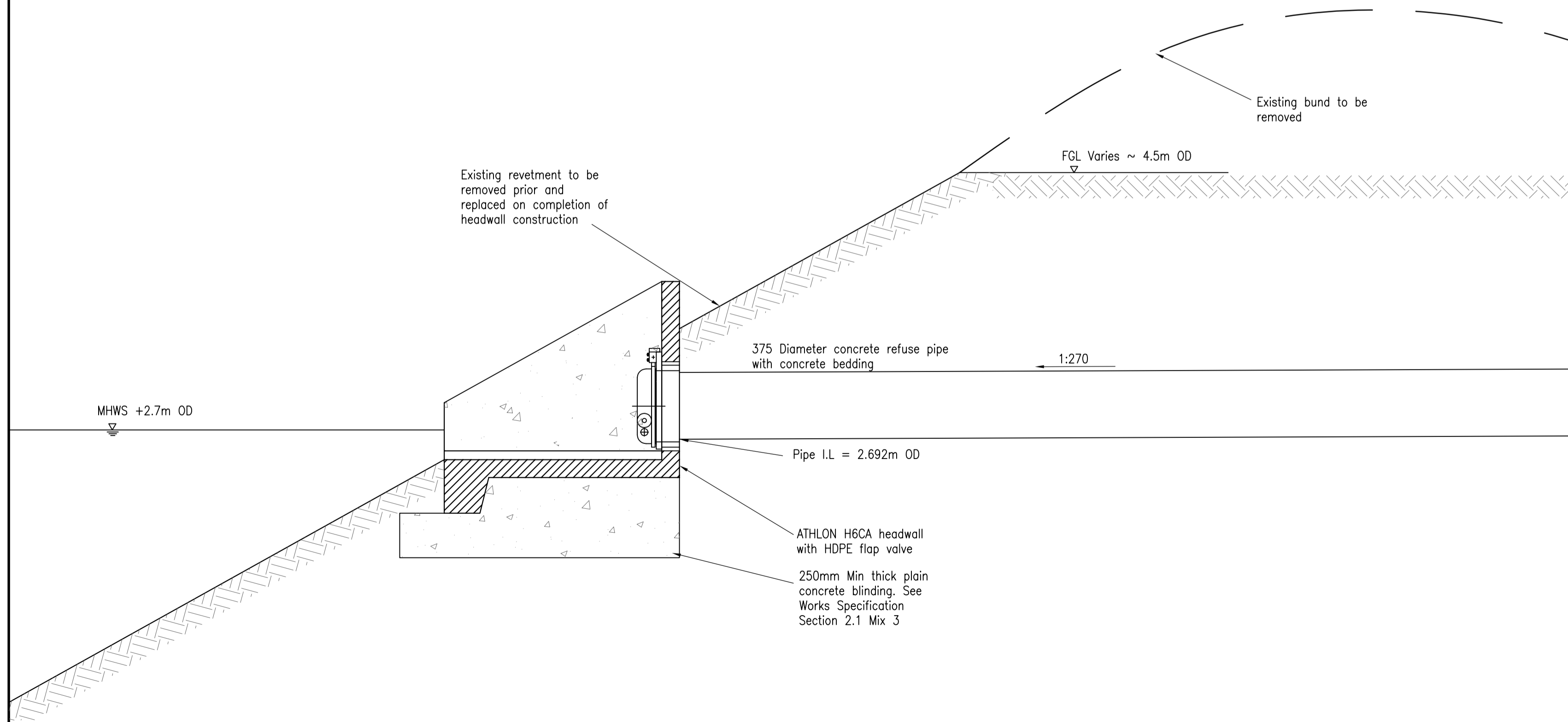
**DEMOLITION**

FOR INFORMATION RELATING TO USE, CLEANING AND MAINTENANCE SEE THE HEALTH AND SAFETY FILE

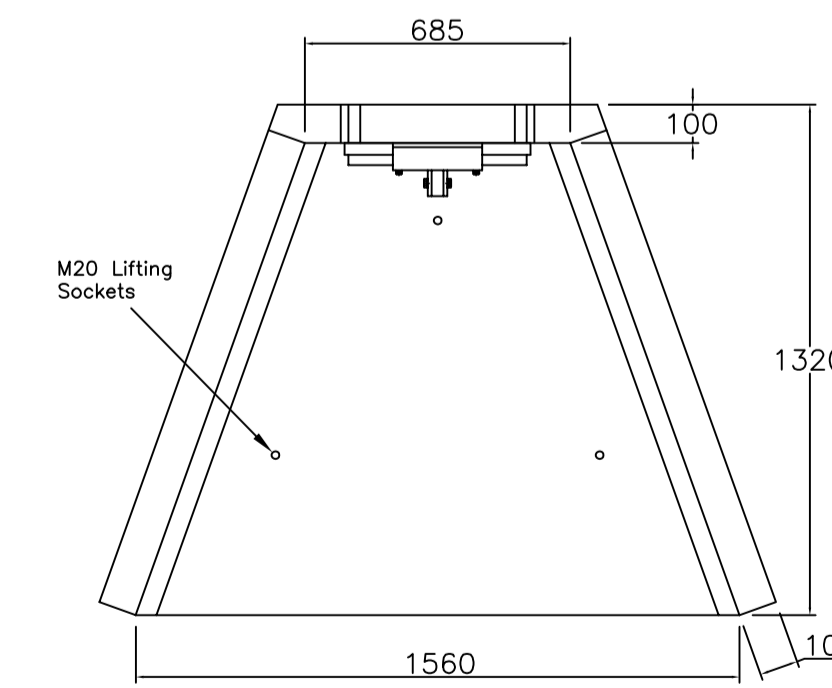
IT IS ASSUMED THAT ALL WORKS WILL BE CARRIED OUT BY A COMPETENT CONTRACTOR WORKING, WHERE APPROPRIATE, TO AN APPROVED METHOD STATEMENT.

**KEY**  
 — Surface water drains

PLAN  
 N.T.S.



SECTION A-A  
 N.T.S.



HEADWALL DETAIL PLAN  
 N.T.S.

Rev.	Date	Description	Drawn	Chkd.	Appd.
<b>FAIRHURST</b>					
1 Airgrave Court Barrack Road, Newcastle-upon-Tyne NE4 6DB Tel: 0191 221 0505 Fax: 0844 381 4412					

Project Title:  
**PORT OF DUNDEE  
 EAST REDEVELOPMENT**

Drawing Title:  
**METAL PROCESSING FACILITY,  
 INDICATIVE OUTFALL HEADWALL**

Scale of A1:		Status:	
AS SHOWN		For Information	
Drawn:	MD	Checked:	MC
Approved:	MC	Checked:	MC
Date:	29/04/20	Date:	29/04/20
Date:	29/04/20	Date:	29/04/20

Drawing No.: 130143/sk0009 Revision: -