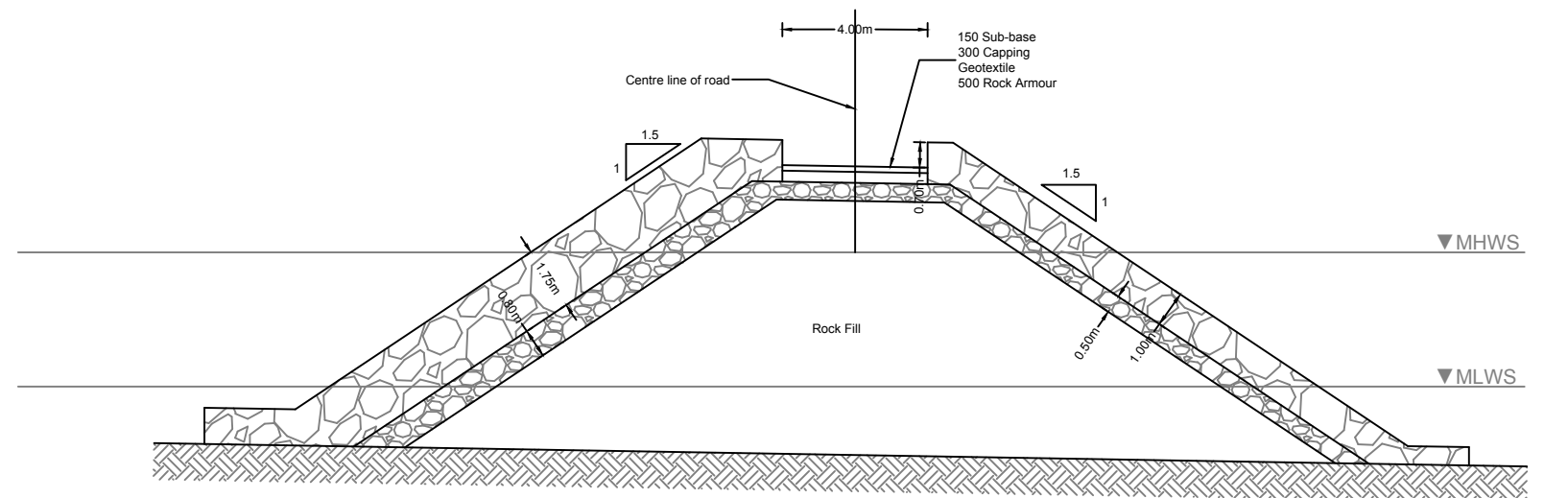
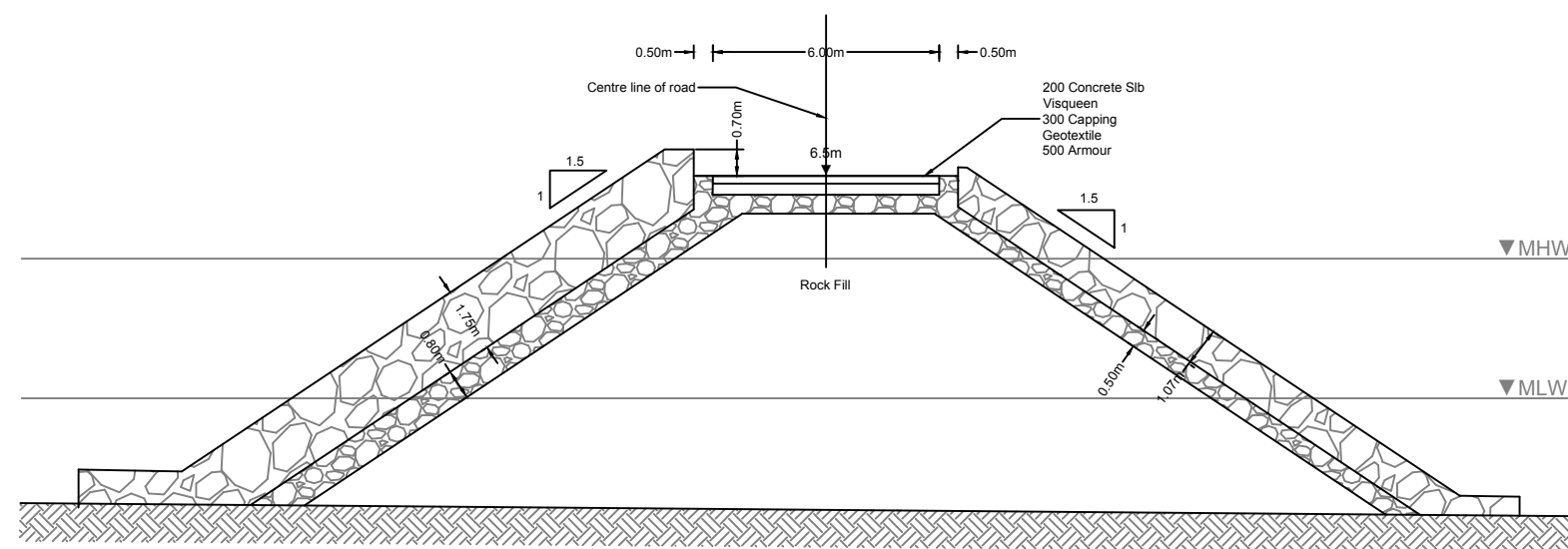


Notes:

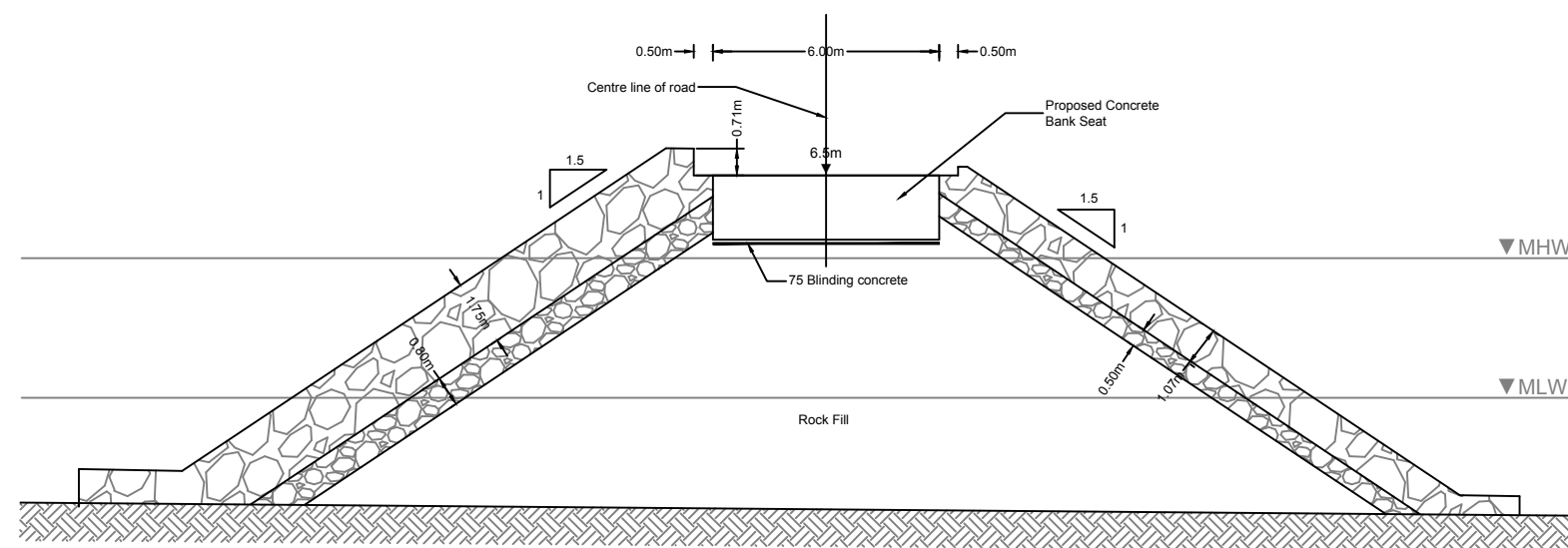
1. This drawing is to be read in conjunction with all relevant contract documentation, with any conflicting information to be brought to the attention of the Engineer in writing before commencing on site.
2. All dimensions are in millimetres unless stated otherwise.
3. Works to comply with Forestry Commission Forest and Water Guideline 5th Edition.
4. Forest road design and construction to comply with Forestry Commission Outline Specification.



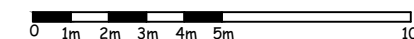
Chainage 0+30



Chainage 0+40




Chainage 0+50



Revision	Details	Date	Inis
-	-	-	-

Client

Client



**Arvikaconsult Ltd**  
 Arvika, Birchwood, Hilton of Embo  
 Dornoch, IV25 3PW

Phone 01862 810001  
 Mobile: 07774 285809  
 Email: frank.macculloch@arvikaconsult.co

Job Title

**ARDNAMURCHAN ESTATE  
GORTENEON PIER**

Drawing Title

**SECTIONS**

Drawn	JCS	Chkd	FMC	Date	07/06/2020
Drawing No.	20-01/05	Rev.	-	Scales	1:200 at A3