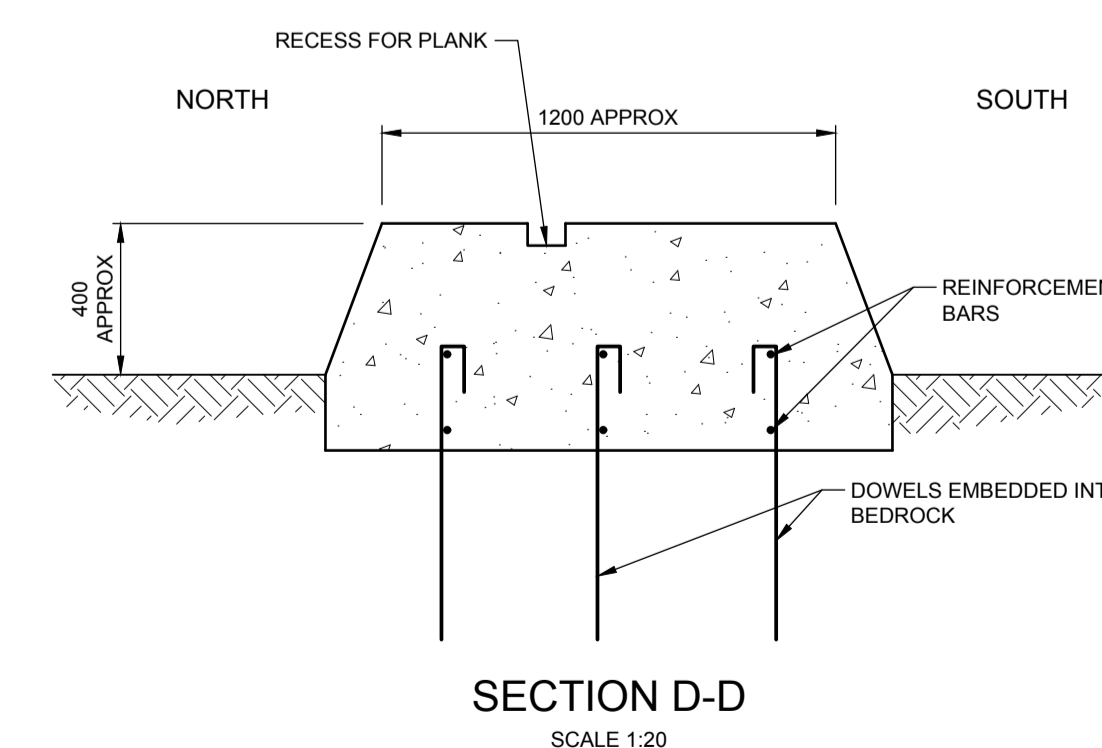
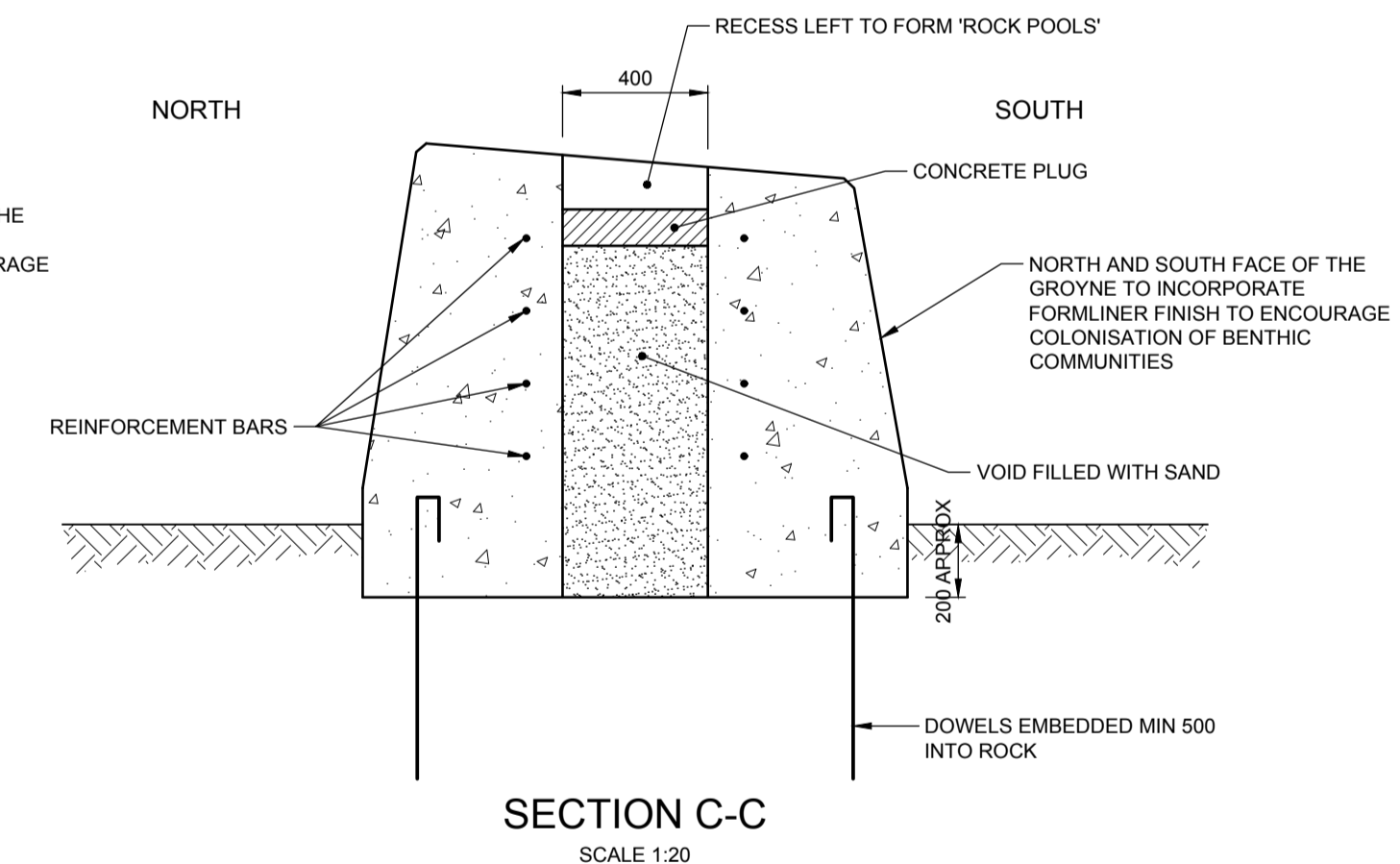
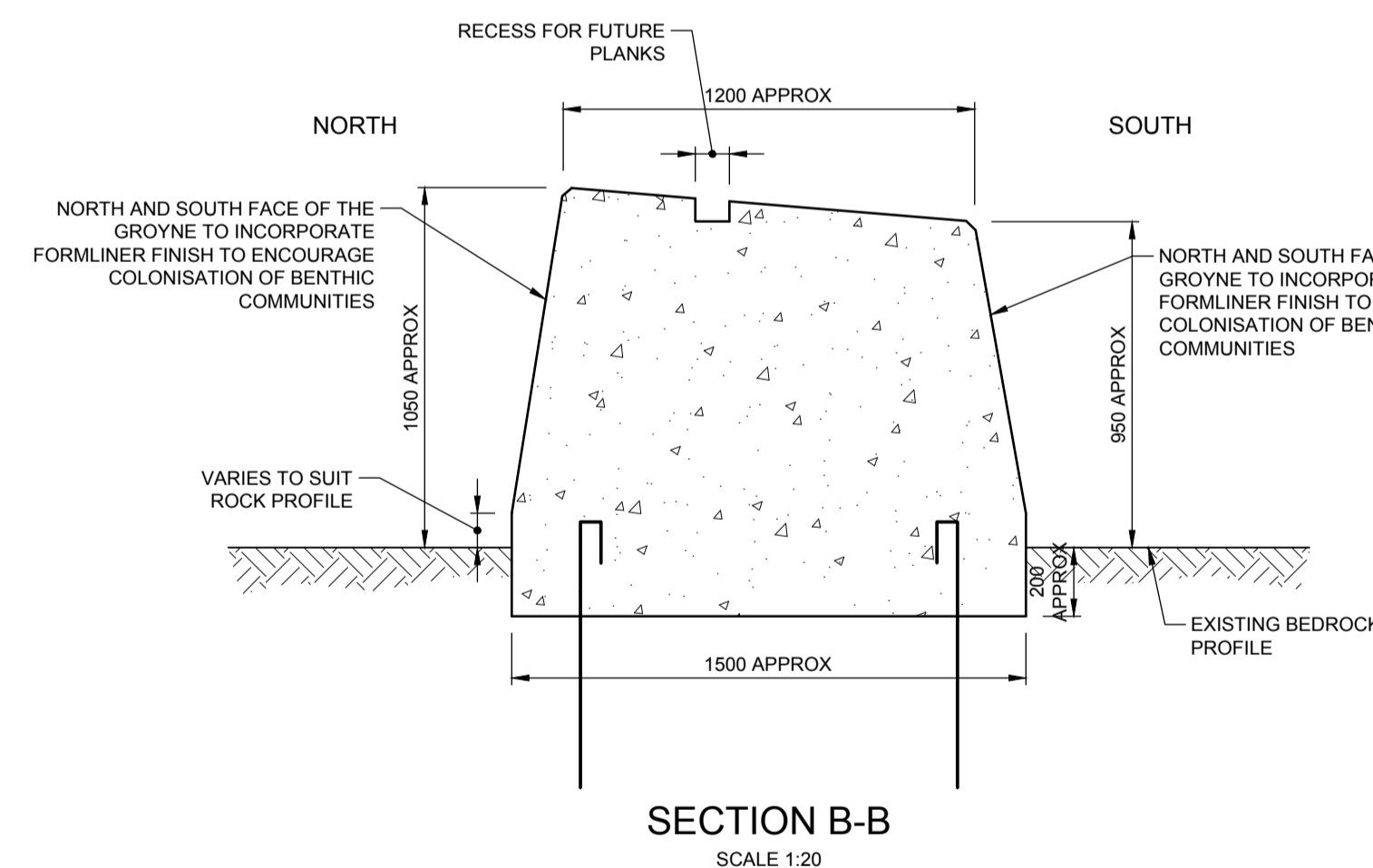
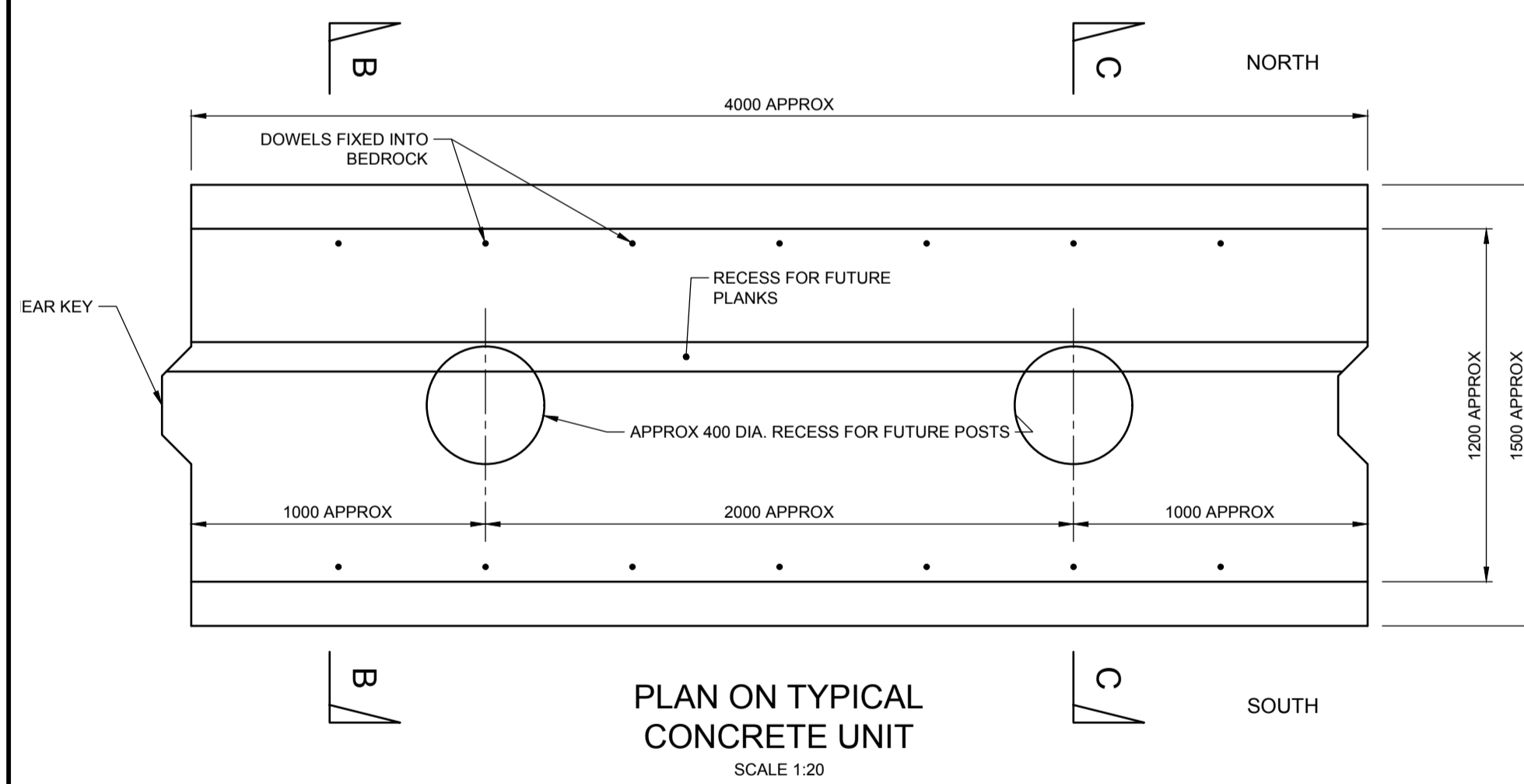
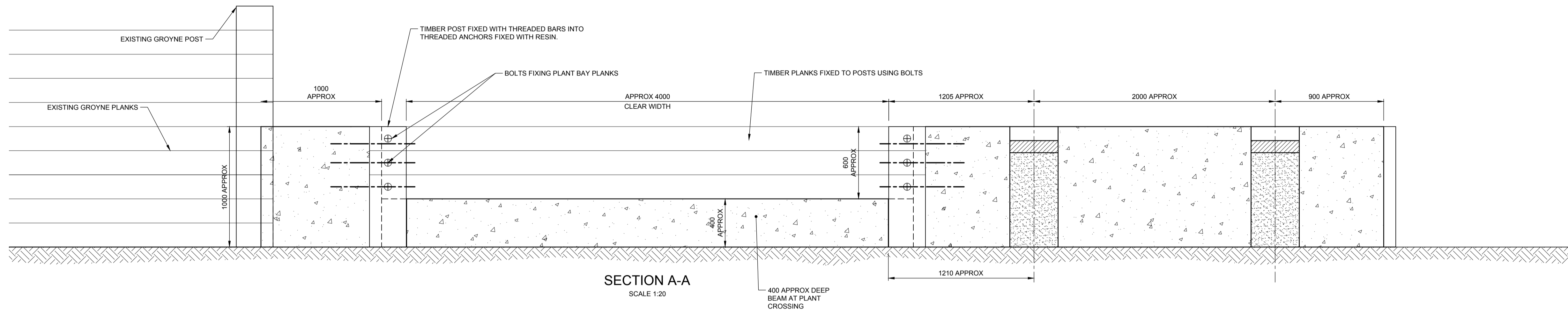
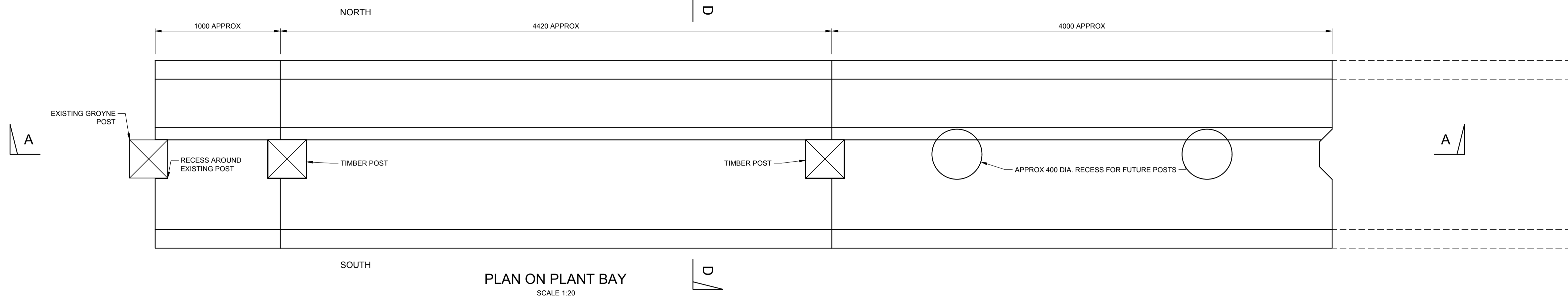


NOTES

1. ALL DIMENSIONS ARE IN MILLIMETRES UNLESS NOTED OTHERWISE.
2. ALL LEVELS ARE IN METRES RELATIVE TO ORDANCE DATUM UNLESS NOTED OTHERWISE.



NOT FOR CONSTRUCTION

P1	2012/18	PLANNING SUBMISSION	MJP	MJP	SB
REV	DATE	DESCRIPTION	BY	CHK	APP

REVISIONS

CLIENT



Dunbar Shore and Harbour Neighbourhood Group

PROJECT

DUNBAR EAST BEACH SEAWALL DEFENCE PROJECT

TITLE

CONCRETE GROUYNE DETAILS (PHASE 1)



74 / 2 Commercial Quay
Commercial Street
Edinburgh, EH6 6LX
Tel +44(0)131 5550906
Email info@roval.com
Website www.rovalhaskoningdhv.com

