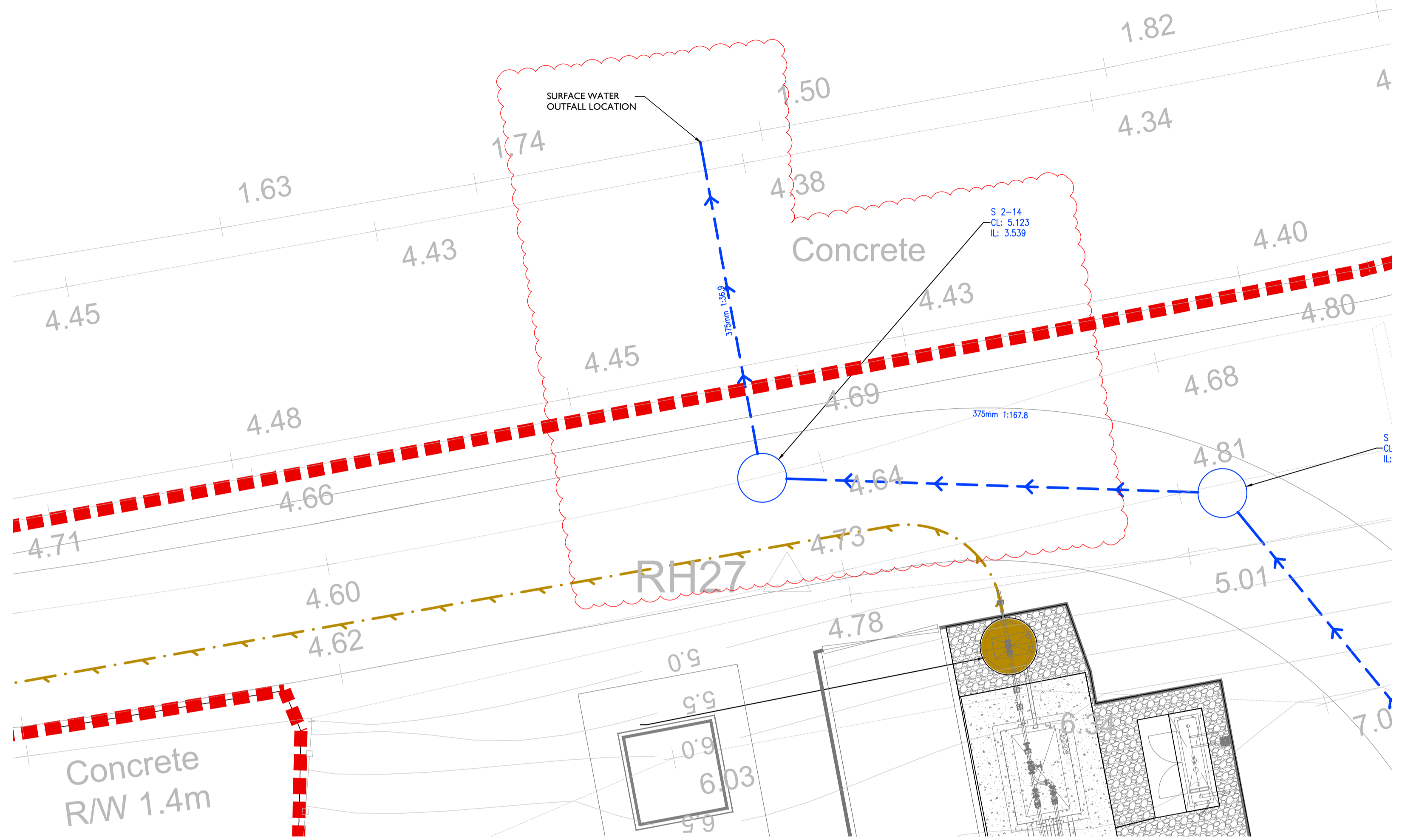
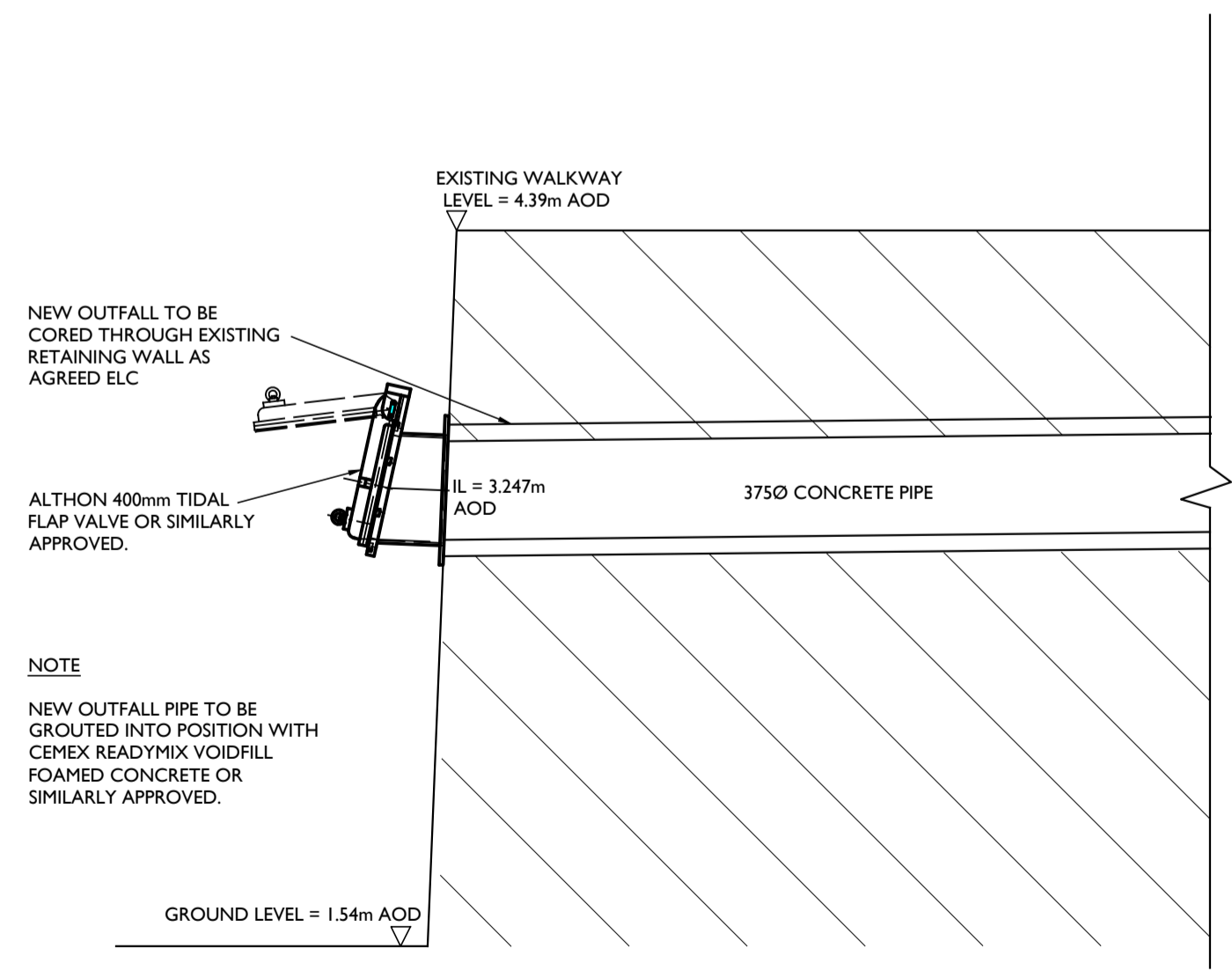


NOTES

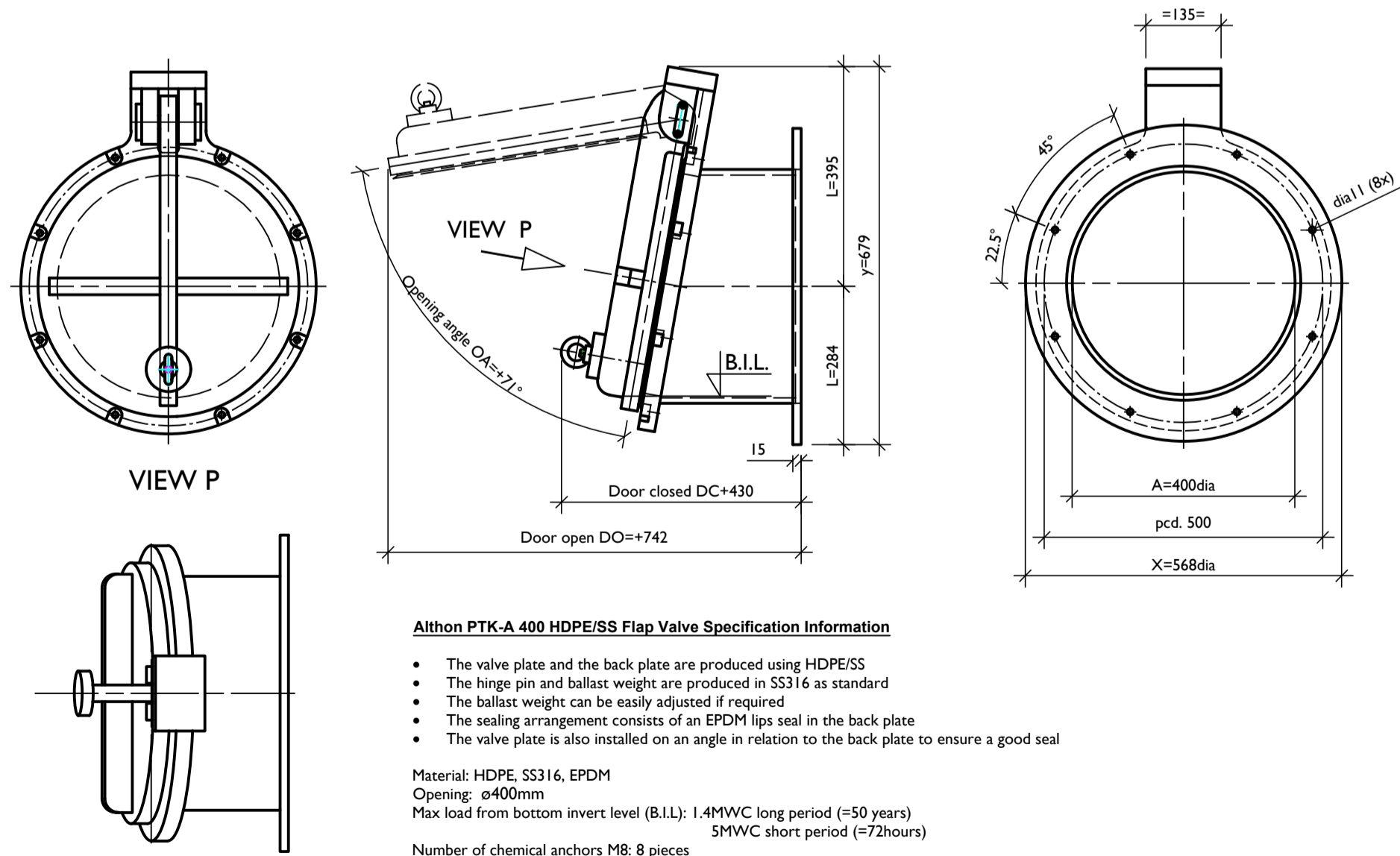
- FOR DRAINAGE NOTES REFER TO DRAWING DUNGC-GOO-XX-XX-DR-D-0507.



○ OUTFALL LOCATION PLAN (SCALE 1:100)



○ OUTFALL DETAIL (SCALE 1:25)



Althon PTK-A 400 HDPE/SS Flap Valve Specification Information

- The valve plate and the back plate are produced using HDPE/SS
- The hinge pin and ballast weights are produced in SS316 as standard
- The ballast weight can be easily adjusted if required
- The sealing arrangement consists of an EPDM lips seal in the back plate
- The valve plate is also installed on an angle in relation to the back plate to ensure a good seal

Material: HDPE, SS316, EPDM
 Opening: ø400mm
 Max load from bottom invert level (B.I.L.): 1.4MWC long period (=50 years)
 5MWC short period (=72hours)
 Number of chemical anchors MB: 8 pieces
 All dimensions in mm

○ FLAP VALVE DETAIL (SCALE 1:10)

REV.	DATE	REVISION	BY	CHK.
-	-	FIRST ISSUE.	MP	ST
P02	28.08.24	ALTHON TIDAL FLAP VALVE DETAIL ADDED.	MP	ST
P03	29.07.24	UPDATED TO SHOW LATEST DRAINAGE ARRANGEMENTS FOR SF2-11 TO SF2-13	MP	ST
P04	23.10.25	SURFACE WATER OUTFALL LOCATION MOVED TO SUIT NEW FOUL RISING MAIN ROUTE.	MP	ST

CALA Management Ltd
 DUNBAR GOLF CLUB
 DUNBAR
 North Site
 Surface Water Outfall Detail

Goodson Associates
 Consulting Civil, Structural & Transportation Engineers
 53 Melville Street, Edinburgh, EH3 7HL
 Also at Aberdeen, Glasgow and Leeds.

Tel: +44 (0)131 226 2044
 Fax: +44 (0)131 226 3107
 Email: edinburgh@goodsons.com
 Web: www.goodsons.com

STATUS	APPROVAL		SUITABILITY
ORIGINATOR'S JOB No:	13561		
DATE CREATED:	OCT 23	SCALE:	AS NOTED @ A1
DRAWING No:	DUNGC-GOO-XX-XX-DR-D-0526		REV: P04