

MONOPOLY STRUCTURE

APPLICATION FOR A LICENCE FOR
 *MARINE CONSTRUCTION WORKS / ~~LAND RECLAMATION / BEACH REPLENISHMENT~~
 *Delete as appropriate

FOOD AND ENVIRONMENT PROTECTION ACT 1985, PART II DEPOSITS IN THE SEA
 (AS AMENDED)

Notes: Please read these carefully before you complete the form.

- Licences are issued under the Food and Environment Protection Act 1985, Part II Deposits in the Sea. These notes should be read in conjunction with the Act and the Deposits in the Sea (Exemption Order 1985) (SI 1985 No 1699).
- Four copies of this form should be submitted to the above address at least two months before the licence is required. All applications must be accompanied by four copies of the site plans and sectional drawings with items to be deposited below Mean High Water Springs (MHWS) clearly indicated.

If a shorter period for consideration of the application is unavoidable please give a full explanation. A two month period takes account of the volume of applications received and is designed to ensure that, except when significant problems arise, licences are issued by the date required by the applicant.
- All the boxes should be completed. If any information is not available at the time of application please indicate at the appropriate section, giving reasons in a covering letter, and submit the details separately as soon as possible. Any delay in forwarding details may result in the licensing decision being delayed.
- Licences cannot be backdated. Licences are normally issued for a period of 12 months or the expected duration of a phase of the work.
- The licence covers the temporary deposit of material (generated from construction work) to be used as backfill/beach replenishment, as appropriate.
- Separate applications must be completed for each phase of construction work as appropriate. It is the responsibility of the applicant to obtain any consents or authorisations which may be required under any other legislation.
- The licence application should be accompanied by the appropriate fee. The application will not be processed until the payment is received. Any delay in forwarding payment may result in the licensing decision being delayed. Cheques should be crossed NOT TRANSFERABLE and made payable to THE SCOTTISH EXECUTIVE.

1. (a) Details of applicant

| Name and address | Details of contact |
|--|---|
| Offshore Energy Resources Ltd./Solway Offshore Ltd., 1 Fleet Place, LONDON EC4M 7MR | Name <input type="text"/> Status PROJECT MANAGER Tel no <input type="text"/> Fax no <input type="text"/> |
| (b) Details of agent (if any) | Name _____ Status _____ Tel no _____ Fax no _____ |

2. Period of validity (commencement/expiry) date:

Start ON ISSUE OF LICENCE
 Finish 3 YEARS AFTER ISSUE OF LICENCE

3. Location and geographical coordinates of proposed works

PLEASE SEE LOCATION MAP - ANNEX A - AND LIST OF LONGITUDINAL AND LATITUDINAL COORDINATES - ANNEX B (BOTH ATTACHED).

Please tick appropriate box

4. Have studies been made of the effect of the proposed work on the marine environment

| YES | NO |
|-------------------------------------|--------------------------|
| <input checked="" type="checkbox"/> | <input type="checkbox"/> |

If YES, are these studies available to the Marine Laboratory?

| YES | NO |
|-------------------------------------|--------------------------|
| <input checked="" type="checkbox"/> | <input type="checkbox"/> |

5. (a) Description of materials to be deposited below MHWS (please tick appropriate box)

Timber Steel Concrete Sand Gravel Iron Stone/Rock Other

If OTHER, please describe:

1. CLAY AND SAND AUGERED DURING STEEL PILE INSTALLATION
2. MONOPILE FOUNDATIONS FOR 60 WIND TURBINES
3. OFFSHORE SUB-STATION

(b) Does the work involve beach replenishment or land reclamation?

| YES | NO |
|--------------------------|-------------------------------------|
| <input type="checkbox"/> | <input checked="" type="checkbox"/> |

If YES, please provide the following information:

- the source of the material _____
- the nature of the material _____
- the particle sizes _____

6. Method of construction and volumes (m³) of all materials to be used (steelwork in tonnes)

WIND TURBINE FOUNDATIONS COMPRISING STEEL MONOPILE (APPROXIMATELY 30,000 TONNES TOTAL WEIGHT FOR 60 TURBINES). PLEASE SEE ANNEX D FOR DETAILS OF PROPOSED FOUNDATION TYPE. OFFSHORE SUB-STATION - SEE ANNEX E FOR DETAILS OF PROPOSED SUB-STATION.

Please tick appropriate box

7. Will a site be required for temporary deposit in the sea?

| YES | NO |
|--------------------------|-------------------------------------|
| <input type="checkbox"/> | <input checked="" type="checkbox"/> |

If YES, please give the location:

DECLARATION

I declare to the best of my knowledge and belief that the information given in this form and related papers is true.

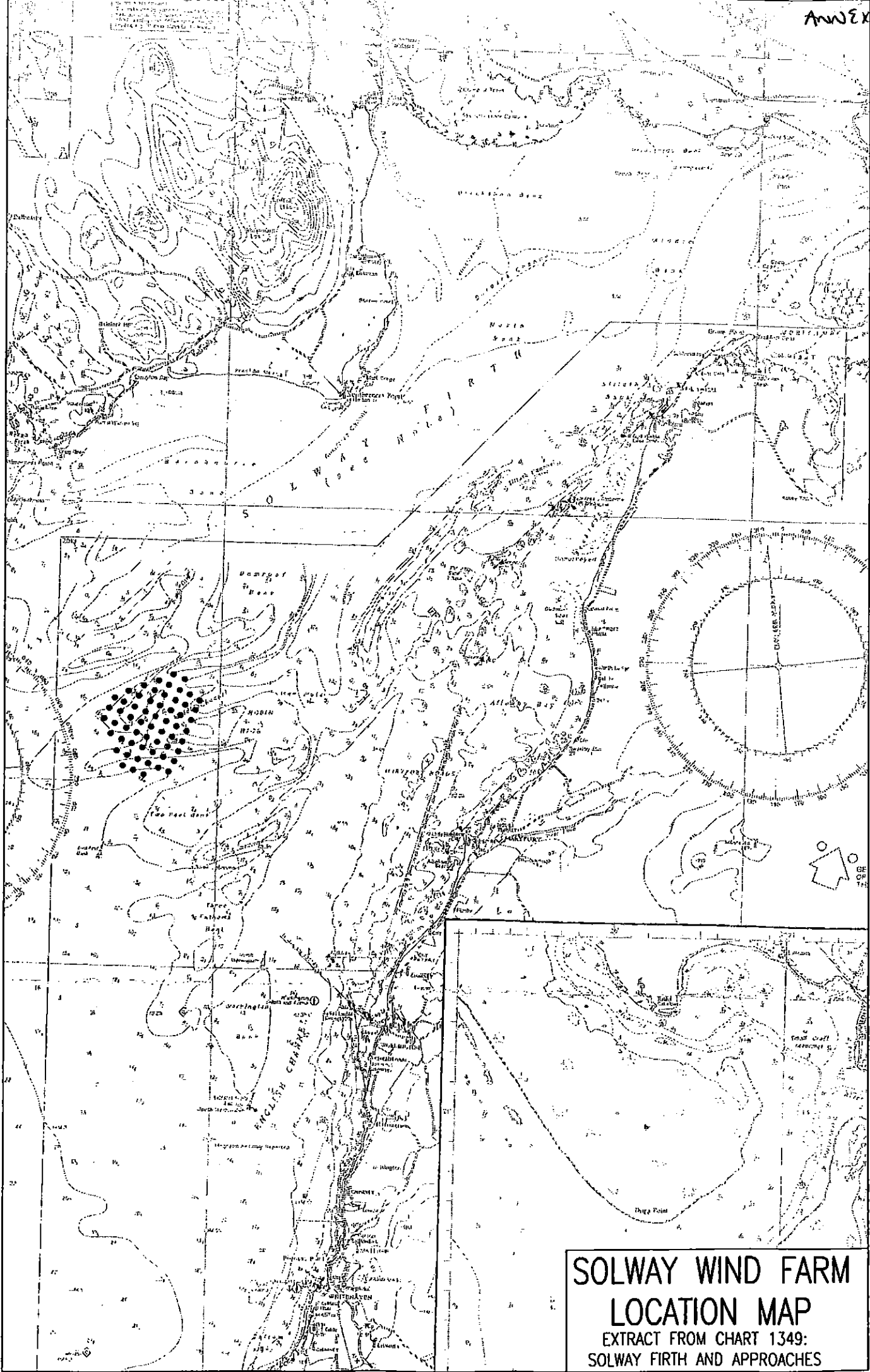
WARNING: It is an offence to knowingly make a false statement for the purpose of obtaining a licence.

Signature _____ [Redacted] _____ Date 12 July 2022

Name in BLOCK LETTERS _____ [Redacted] _____

Status in Company _____ SOLICITORS ACTING FOR JOINT APPLICANTS _____

Please check carefully the information you have given and that all enclosures have been included



**SOLWAY WIND FARM
LOCATION MAP**
EXTRACT FROM CHART 1349:
SOLWAY FIRTH AND APPROACHES

| Solway Offshore Wind Farm | | |
|----------------------------------|--------------------|---------------------|
| Turbine co-ordinates | | |
| Turbine | Easting (m) | Northing (m) |
| A1 | 290703 | 543168 |
| A2 | 291153 | 542982 |
| B1 | 290130 | 542923 |
| B2 | 290524 | 542739 |
| B3 | 290962 | 542541 |
| B4 | 291367 | 542368 |
| B5 | 291753 | 542132 |
| C1 | 289517 | 542725 |
| C2 | 289955 | 542530 |
| C3 | 290352 | 542343 |
| C4 | 290789 | 542134 |
| C5 | 291181 | 541954 |
| C6 | 291592 | 541751 |
| D1 | 288897 | 542509 |
| D2 | 289324 | 542311 |
| D3 | 289777 | 542101 |
| D4 | 290174 | 541915 |
| D5 | 290602 | 541720 |
| D6 | 290996 | 541539 |
| D7 | 291424 | 541341 |
| E1 | 288346 | 542239 |
| E2 | 288711 | 542068 |
| E3 | 289150 | 541873 |
| E4 | 289583 | 541672 |
| E5 | 289989 | 541489 |
| E6 | 290416 | 541299 |
| E7 | 290826 | 541088 |
| E8 | 291237 | 540902 |
| F1 | 288118 | 541830 |
| F2 | 288560 | 541691 |
| F3 | 288985 | 541449 |
| F4 | 289405 | 541259 |
| F5 | 289810 | 541075 |
| F6 | 290246 | 540875 |
| F7 | 290649 | 540678 |
| F8 | 291067 | 540490 |
| G1 | 287916 | 541413 |
| G2 | 288343 | 541214 |
| G3 | 288806 | 541024 |
| G4 | 289227 | 540846 |
| G5 | 289628 | 540661 |
| G6 | 290060 | 540474 |
| G7 | 290471 | 540285 |
| G8 | 290901 | 540099 |
| H1 | 288175 | 540806 |
| H2 | 288621 | 540590 |
| H3 | 289032 | 540418 |
| H4 | 289453 | 540247 |
| H5 | 289874 | 540061 |
| H6 | 290303 | 539874 |
| H7 | 290733 | 539706 |
| J1 | 288425 | 540126 |
| J2 | 288846 | 539948 |
| J3 | 289267 | 539786 |
| J4 | 289688 | 539616 |
| J5 | 290109 | 539438 |
| J6 | 290505 | 539284 |
| K1 | 288660 | 539527 |
| K2 | 289089 | 539349 |
| K3 | 289502 | 539171 |
| Sub-station platform | 291150 | 540380 |
| Met. Mast | 288514 | 539284 |

Project:
Proposed Offshore Wind
Farm, Solway Firth

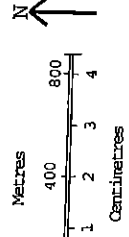
Figure 1.2: Site Layout

Key:

| | |
|--|--|
| | Wind Turbine |
| | 33 kV Cable Route |
| | 125m Cable Corridor (including vertebrae) |
| | Turbine Exclusion Zone surrounding Microwave Links |
| | Offshore Mounted Substation & Helipad |
| | 132 kV Cable Route (2 cables) |
| | Central line of Indicative 132 kV Cable Route Corridor |
| | Scotland - England border |
| | Depth of Seabed below Chart Datum <small>Chart datum approx. 4.1m below M.S.L. (Mean High Water Spring)</small> |
| | Site of Underwater Wreck or Other Anomaly |
| | Anemometry Mast |
| | Boundary for Exclusion of Vessels during Construction |
| | Operational Period Draw Exclusion Zone |
| | Proposed Location of New Buoys during Construction Phase <small>These buoys are subject to change upon completion of construction</small> |

Scale: 1: 20,000

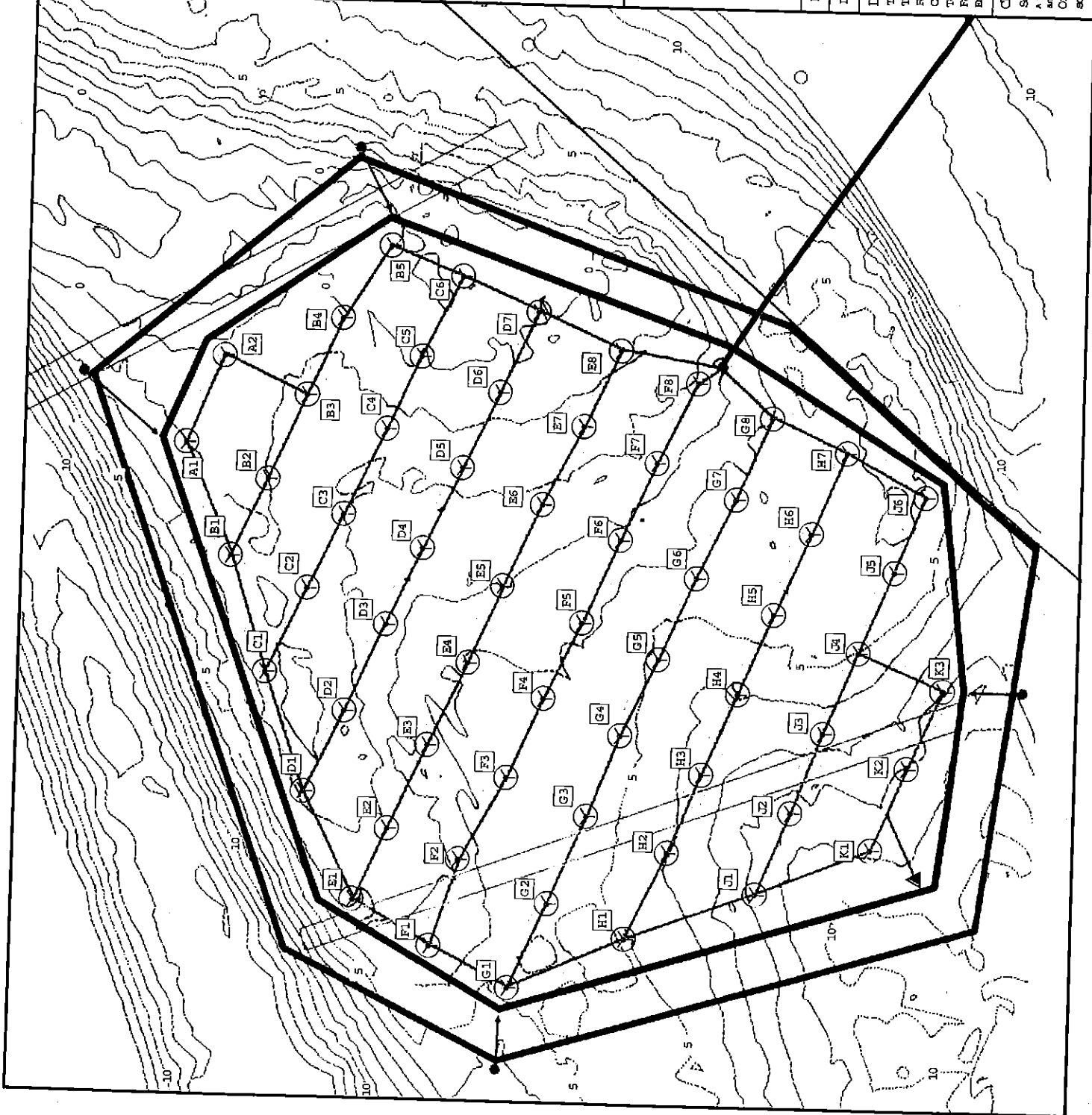
Based upon the Ordnance Survey Digitally Derived Data, with the permission of the Controller of Her Majesty's Stationary Office, © Crown Copyright. Licence No. AL 10020683.

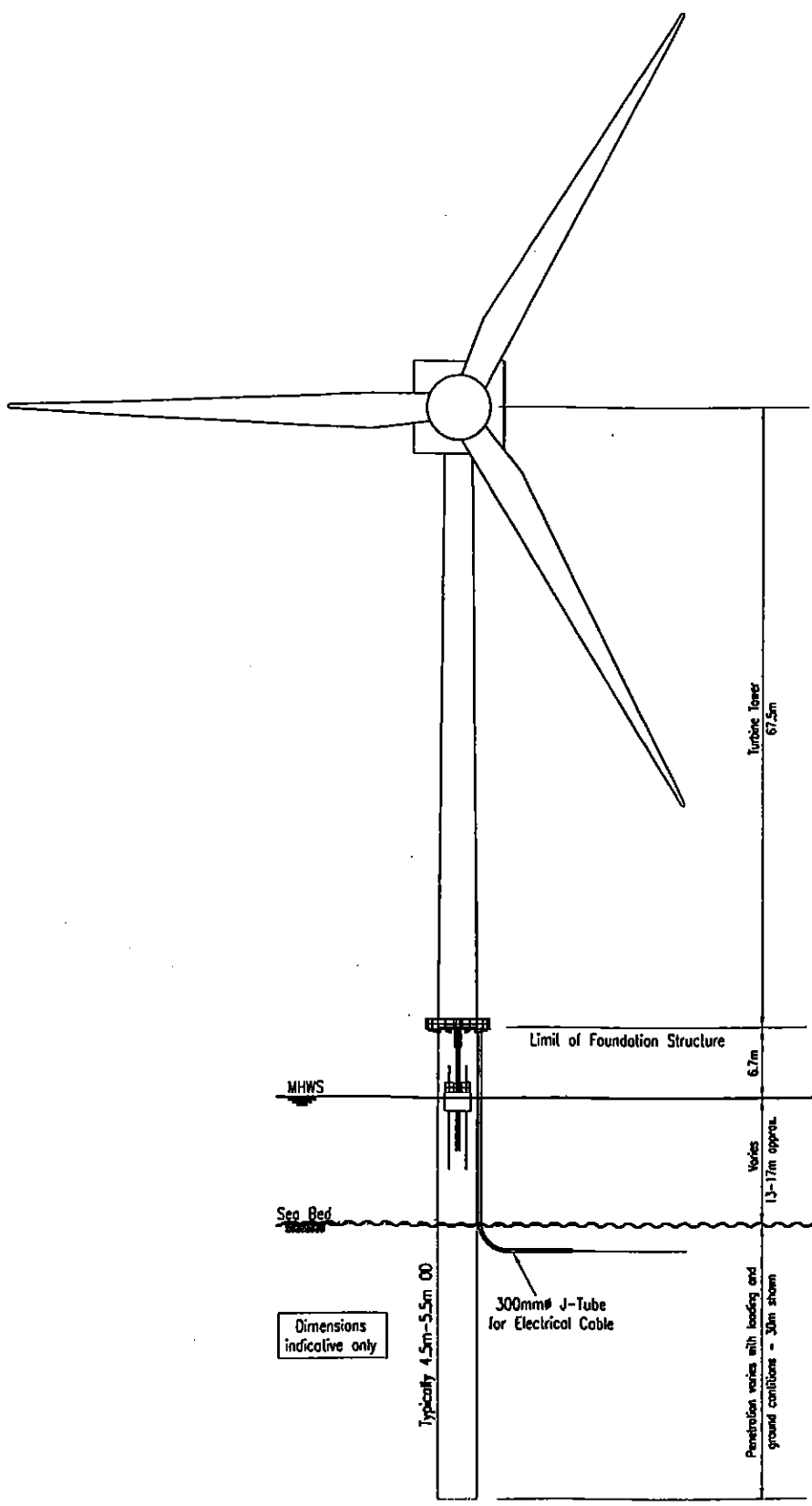


Date: 28-05-02
Drawing No: SOL_layout000.tif
Prepared by: DH
Checked by: JS

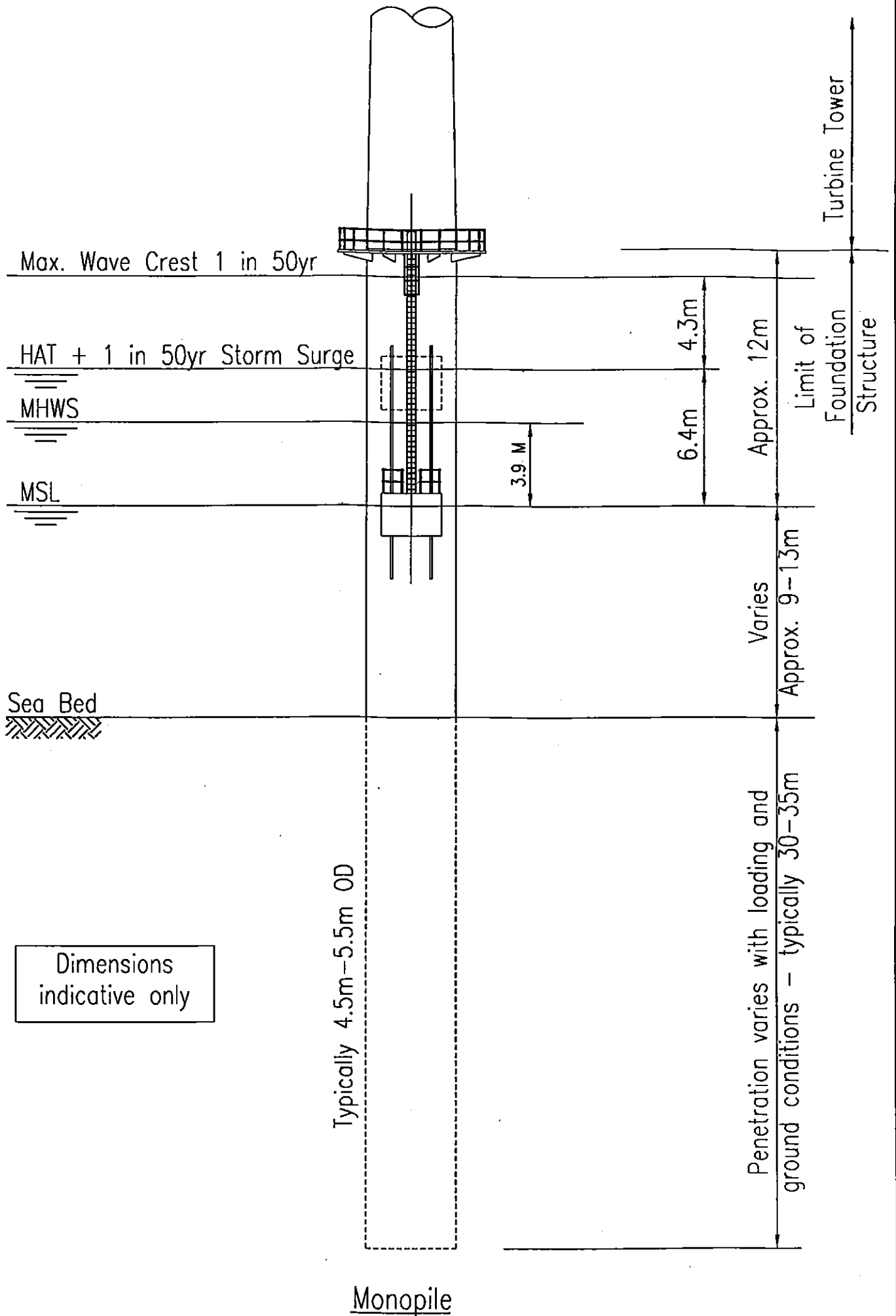
Drawing by:
The Natural Power Consultants Ltd
The Green House
Farness House, Dalry
Castle Douglas, DG7 3NS, UK
Tel: +44 (0) 1644 430008
Fax: +44 (0) 1644 430009
Email: post@naturalpower.com
natural power

Client:
Solway Offshore Ltd
A TXU Europe Company
and
Offshore Energy Resources Ltd.





Solway Firth Wind Farm
Turbine Tower with Mono Pile Foundation



Dimensions
indicative only

Typically 4.5m-5.5m OD

Monopile

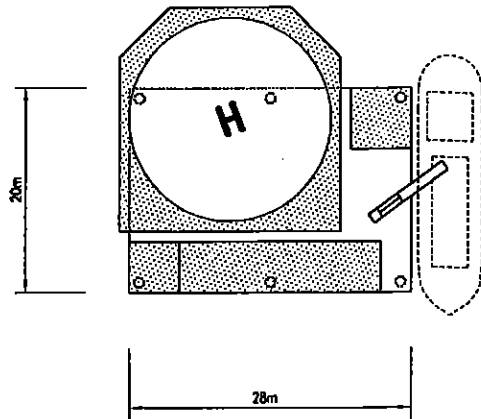
Penetration varies with loading and
ground conditions - typically 30-35m

Varies
Approx. 9-13m

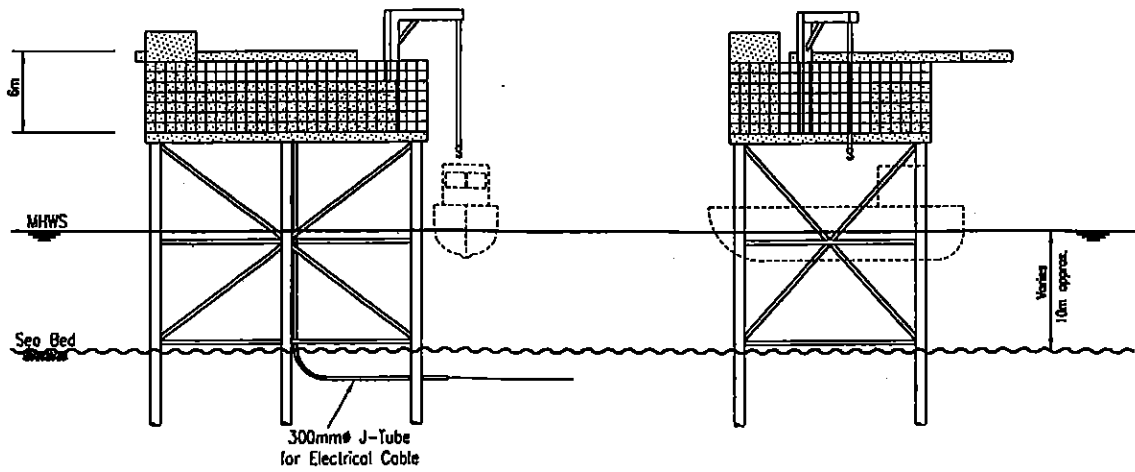
Approx. 12m

Limit of
Foundation
Structure

Turbine Tower



Plan of Transformer Platform



Elevation

Side Elevation

Solway Firth Wind Farm
Details of Sub Station