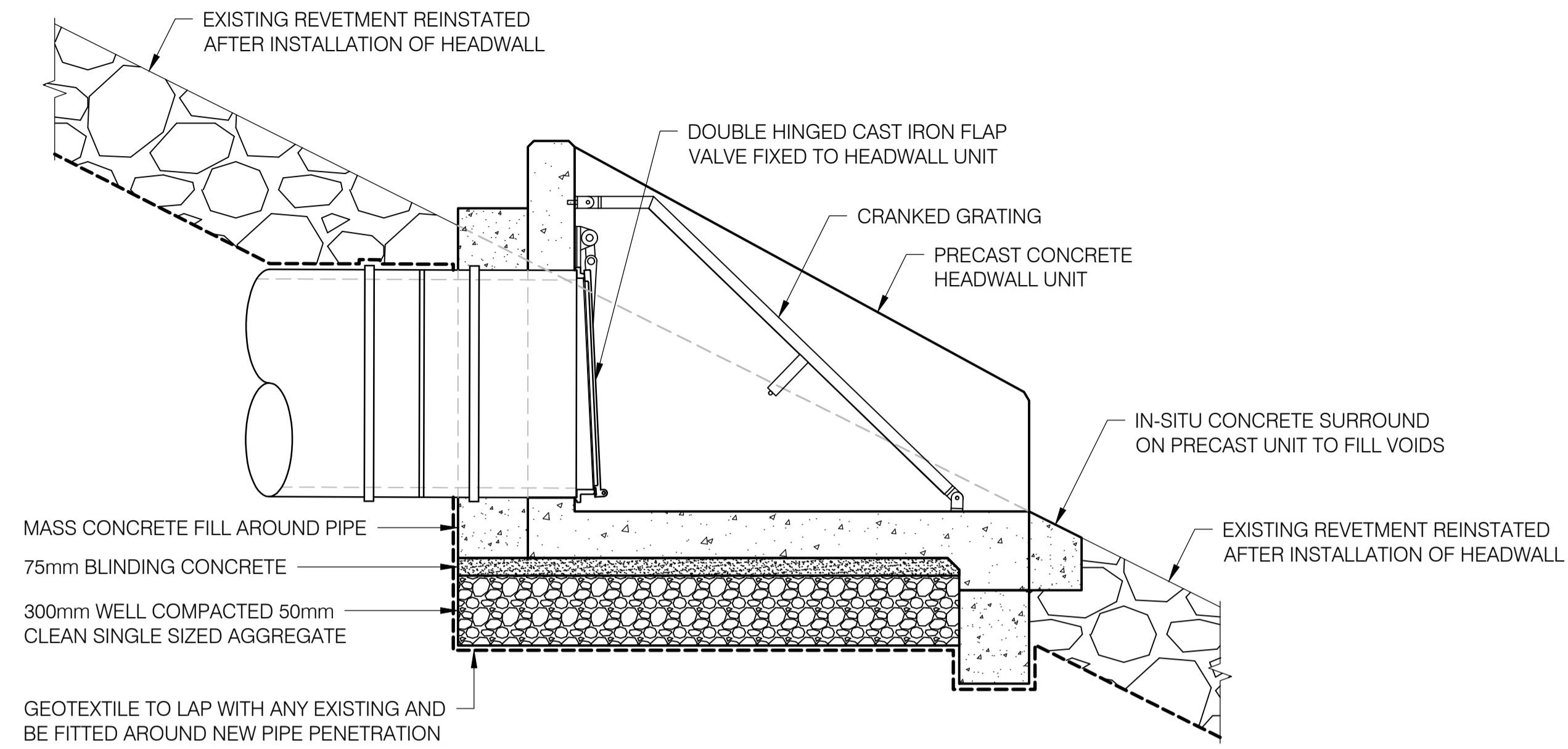


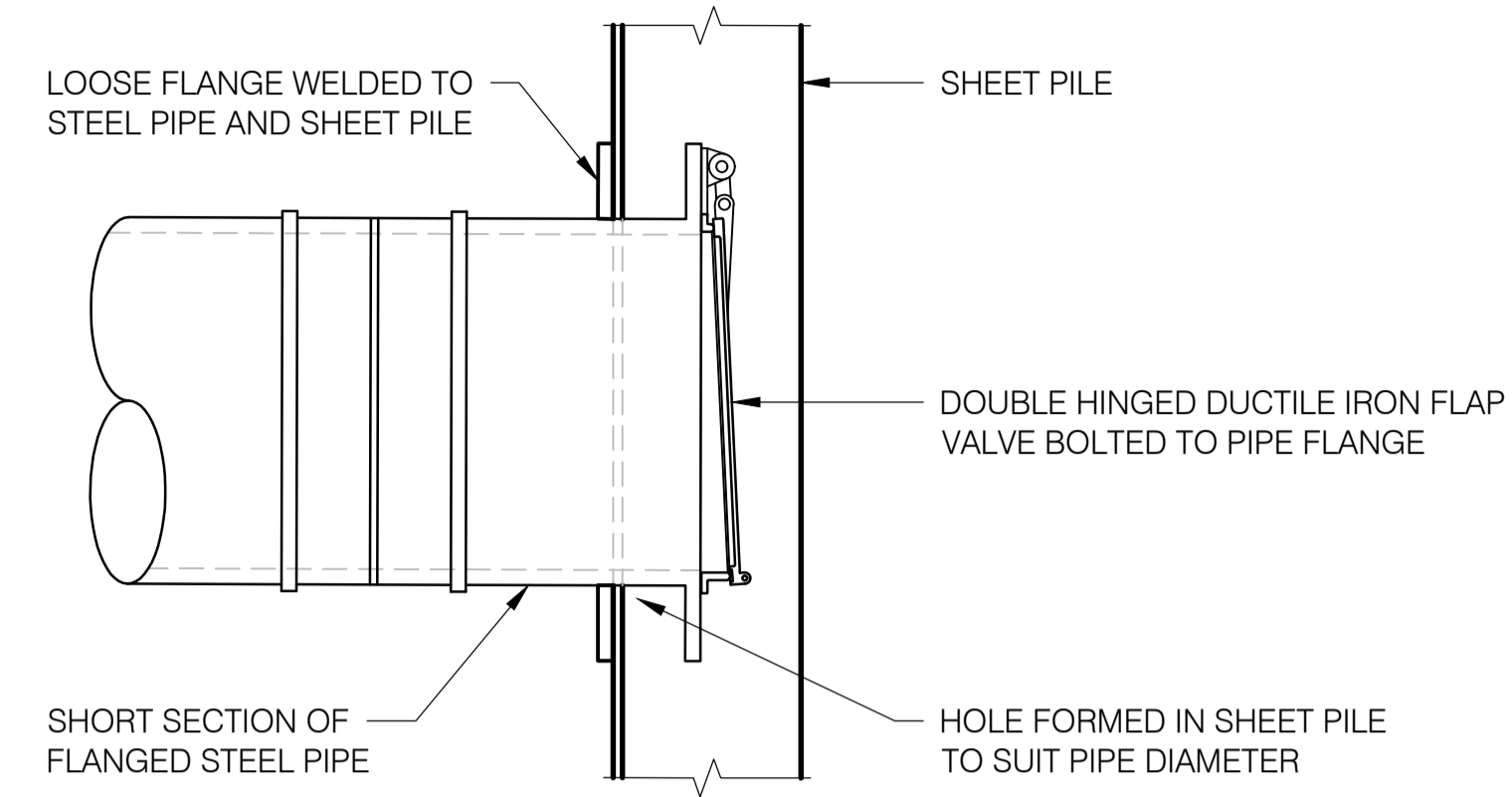
INFORMATION ONLY

NOTES

1. ALL DIMENSIONS IN MILLIMETRES UNLESS NOTED OTHERWISE.
2. ALL LEVELS ARE RELATIVE TO CHART DATUM.
3. THIS DRAWING TO BE READ IN CONJUNCTION WITH ALL RELEVANT DRAWINGS SPECIFICATIONS.



TYPICAL HEADWALL DETAIL
1:20



TYPICAL SHEET PILE DETAIL
1:20

P01	23.05.2024	ISSUED FOR MARINE CONSTRUCTION LICENCE APPLICATION	AH	KM
REV	DATE	REVISION DESCRIPTION	DRN	VER

THIS DRAWING IS COPYRIGHT . DO NOT SCALE FROM THIS DRAWING.

Arch Henderson
1919

Civil Engineers
Structural Engineers
Principal Designers
Architects
Geotechnical services
Environmental services

142 St. Vincent Street, Glasgow G2 5LA
Tel : 0141 227 3060 - Fax : 0141 248 9542
www.arch-henderson.co.uk - email : glasgow@arch-henderson.co.uk

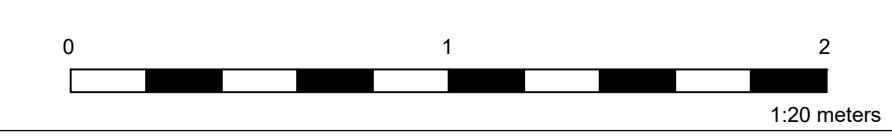
Offices in: Aberdeen, Dundee, Falkland Islands, Glasgow, Inverness, Lewick, Southampton, Stromness and Thurso

PROJECT :
**CLYDEPORT OPERATIONS LTD
HUNTERSTON CONSTRUCTION YARD**

TITLE :
**DRAINAGE OUTFALLS
TYPICAL DETAILS**

DRAWN : AH	DATE : 22.05.2024	VERIFIED : MS	APPROVED : KM
SCALE : (A1) 1:20		DRAWING STATUS : S0	

DRAWING No: **HMY-AHN-00-00-DR-C-9213** REV: **P01**



DO NOT SCALE