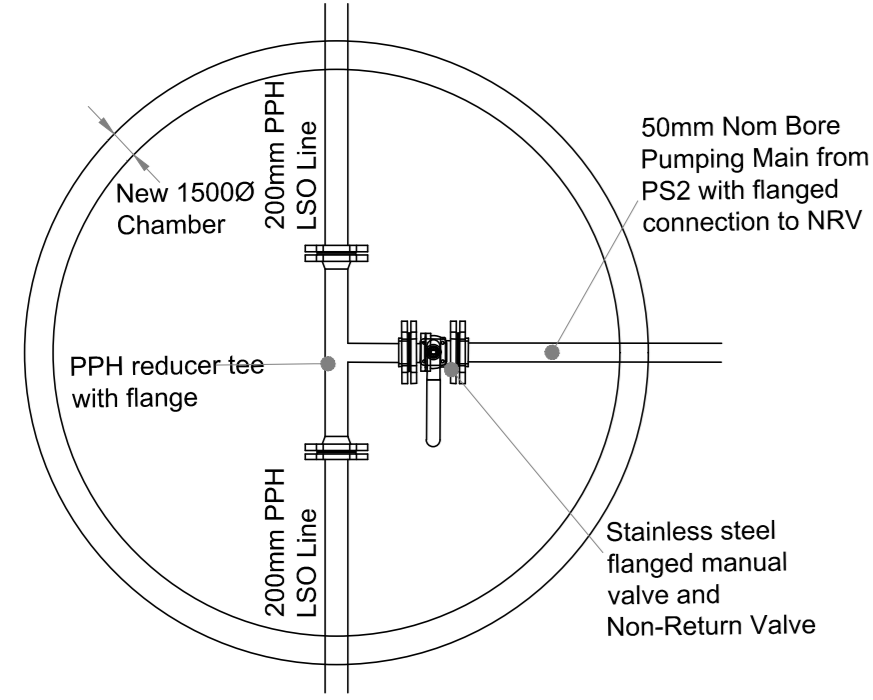
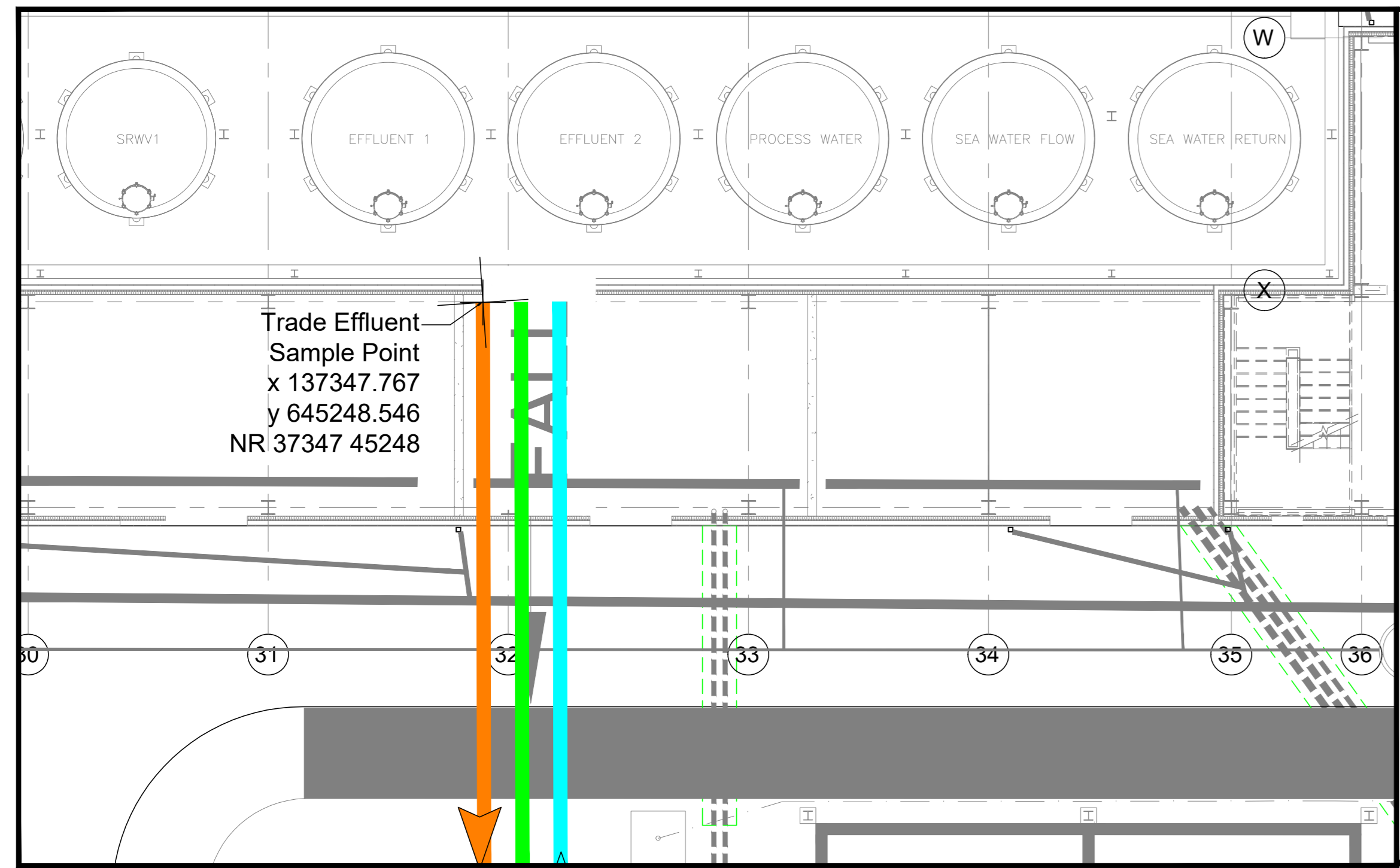
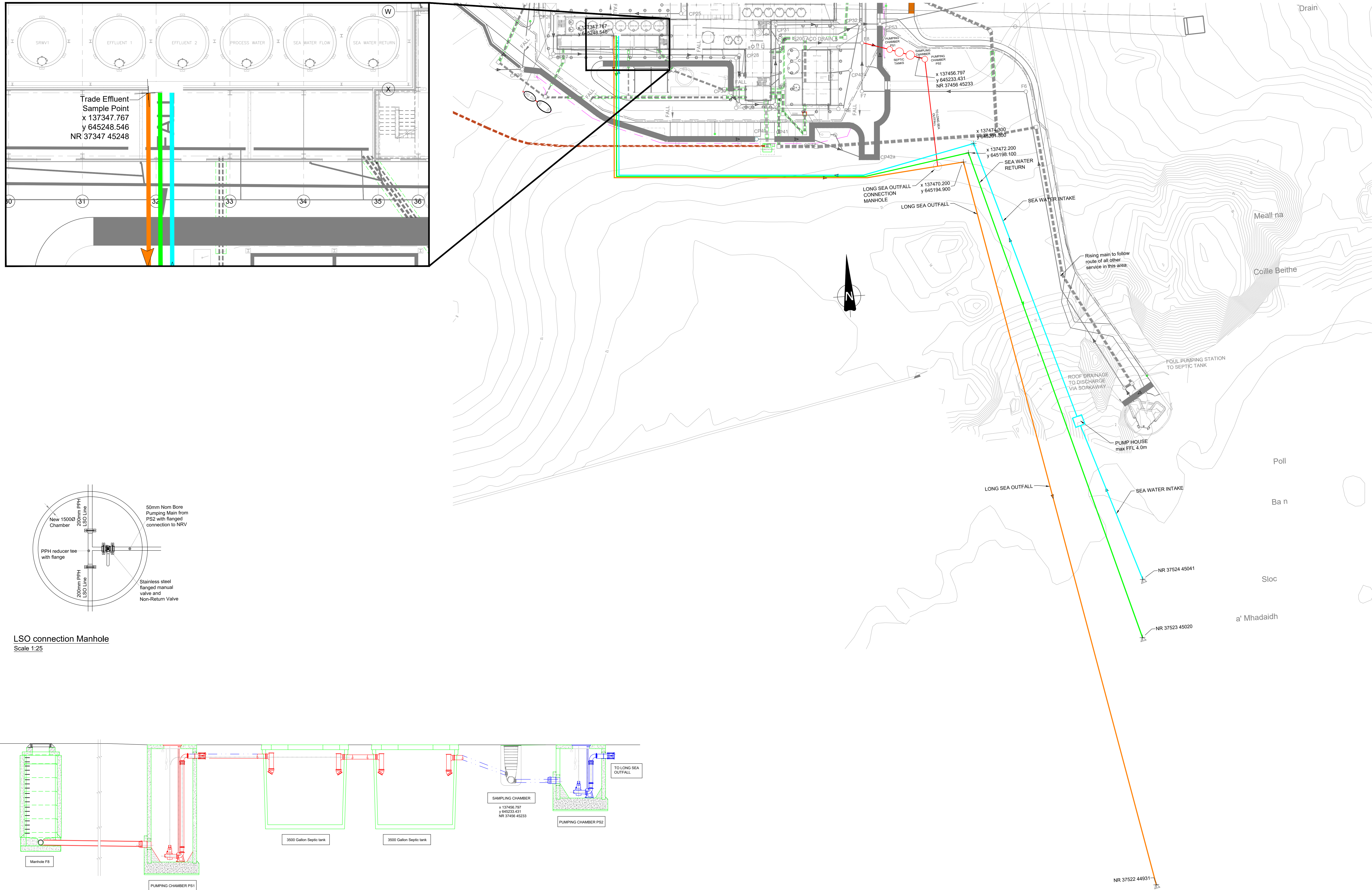
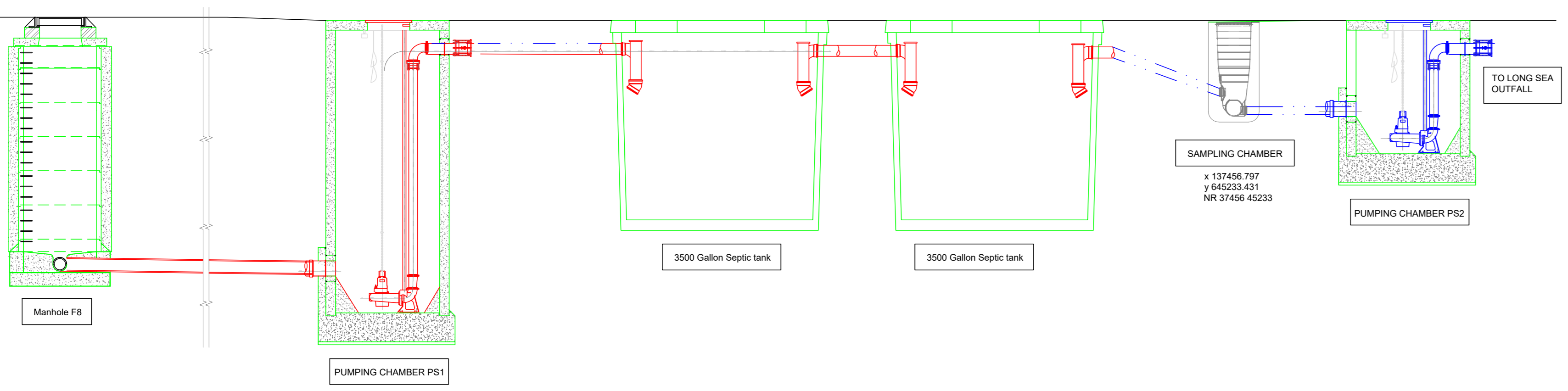


1. For layout & details of Surface/Foul/Effluent drainage refer to the S2 Series
2. For the Fireman layouts refer to 96 003 & 96 120 series
3. For the Watermain layouts refer to 96 003 & 96 120 series
4. For the Outfall & Sea Water Intake layouts refer to the 130 series
5. For underground LVH Services layouts refer to the 140 series
6. For details of Combined Underground Services refer to drawing no. EC2131766 110, 111
7. For layout & details of the External Works refer to the 90 Series



LSO connection Manhole
Scale 1:25



Revisions	Date	Drn

FOR LICENSING

SPECIALITY DRINKS Ltd

Elixir Distillery, Islay

Sea Water Cooling, Trade effluent & Domestic Foul LSO SEPA Application

Drawn: STH	CK'd: JT	Scale: 1:500@A3
Date: Jun'24	Date: Jun'24	DO NOT SCALE

BLYTH&BLYTH
Cornerstone, 60 South Gyle Crescent
Edinburgh EH12 9EB
Email: info@blythandblyth.co.uk
www.blythandblyth.co.uk Telephone: 0131 474 2700

Drawing No. EC21317:52:005	Revision
----------------------------	----------