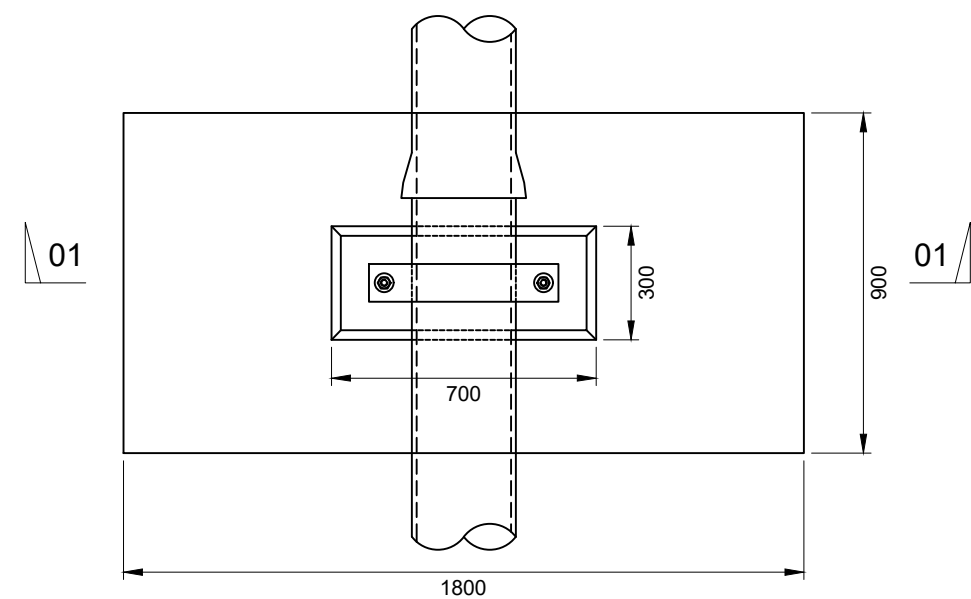
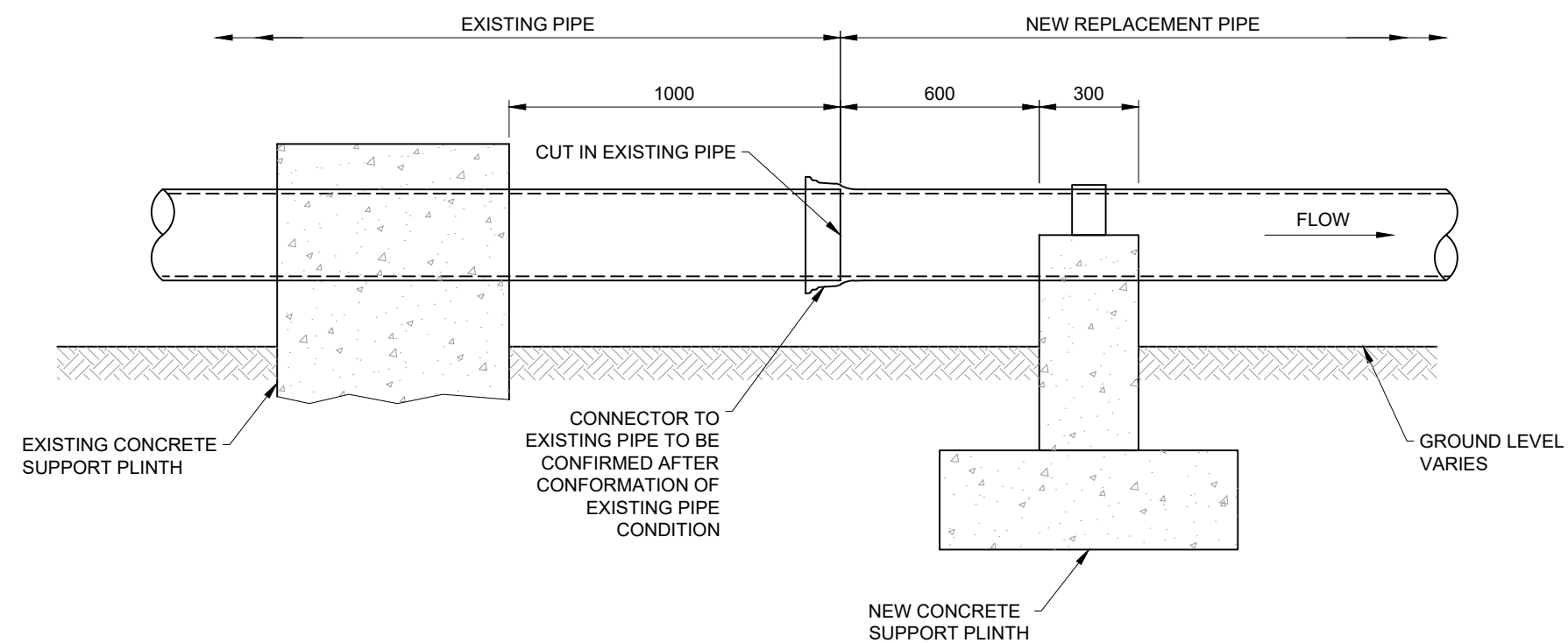


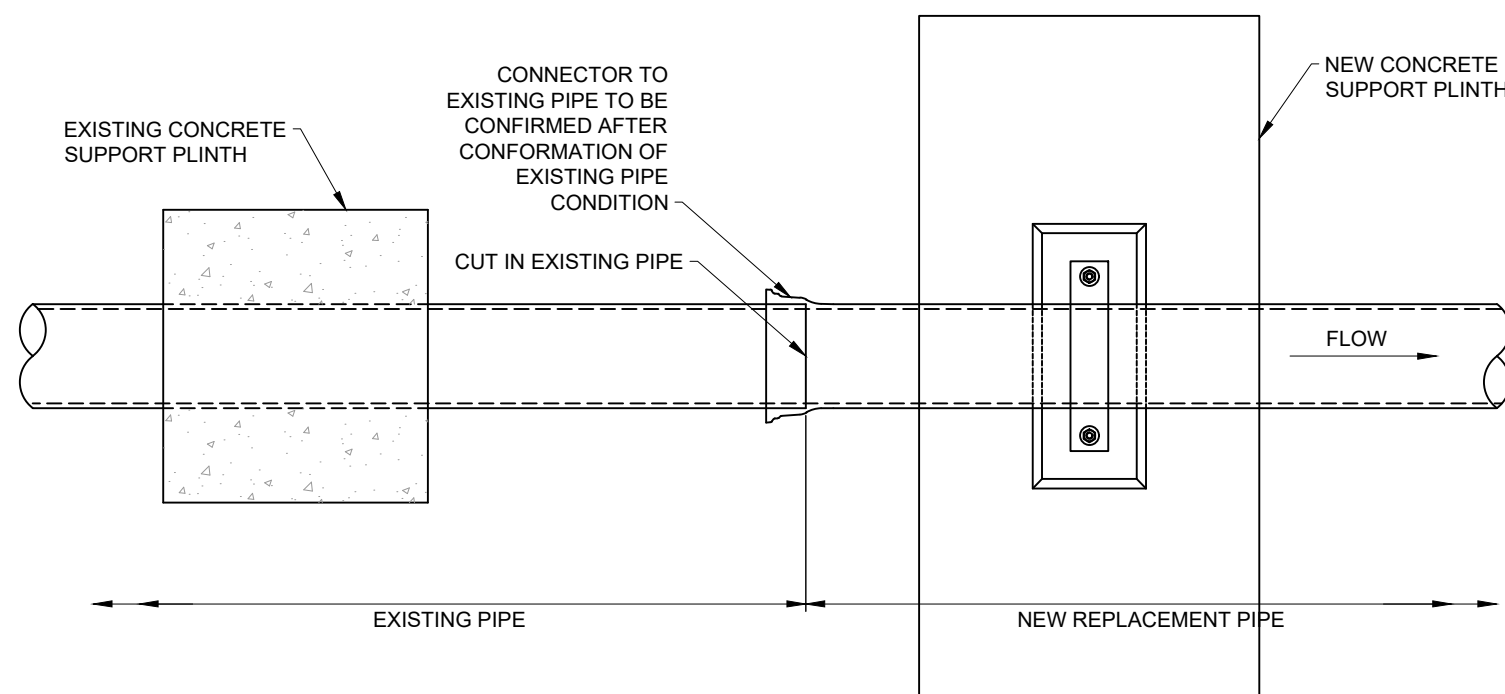
SECTION 01-01
SCALE 1:20



PLAN ON PLINTH
SCALE 1:20



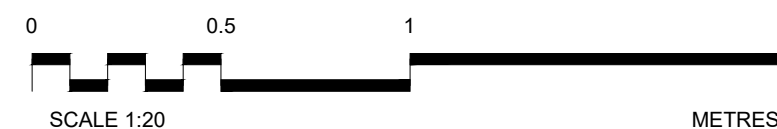
CONNECTION DETAIL BETWEEN EXISTING & NEW PIPE
SCALE 1:20



PLAN ON CONNECTION BETWEEN EXISTING & NEW PIPE
SCALE 1:20

NOTES:-

1. ALL DIMENSIONS ARE IN MILLIMETRES
2. ALL LEVELS ARE METRES ABOVE AOD
3. EXISTING PIPE CONDITION TO BE CHECKED BEFORE EXACT POSITION OF CUT IN EXISTING OUTFALL CONFIRMED
5. REFER TO DRAWING 5214230000-AGO-ZZ-XX-DR-C-0001 FOR LOCATION & SITE PLANS
6. REFER TO DRAWING 5214230000-AGO-ZZ-XX-DR-C-0002 FOR LONGITUDINAL SECTION & DETAILED PLAN



Notes:
ALLEN GORDON REFERENCES
ALLEN GORDON JOB No. - 603657
ALLEN GORDON CLIENT - MORRISON CONSTRUCTION

SCOTTISH WATER
HEALTH AND SAFETY INFORMATION
IN ADDITION TO THE HAZARDS NORMALLY ASSOCIATED WITH THE TYPES OF WORK DETAILED ON THIS DRAWING, PLEASE NOTE THE FOLLOWING:
(SEE FULL DESIGN RISK ASSESSMENT FOR DETAILS)

CONSTRUCTION PHASE	
RESIDUAL RISK THAT COULD NOT BE OBVIOUS TO A 'COMPETENT CONTRACTOR': - Not applicable.	ACTION REQUIRED TO CONTROL RESIDUAL RISK: - Not applicable.
SW OPs ACCESS - HORIZONTAL, VERTICAL, PEDESTRIAN, VEHICLE/PLANT	
POINTS REQUIRING ACCESS: - Not applicable.	METHOD OF ACCESS: - Not applicable.
SW OPs HANDLING / LIFTING STRATEGY	
ITEMS REQUIRING HANDLING: - Not applicable.	METHOD OF HANDLING: - Not applicable.

IT IS ASSUMED THAT ALL WORKS WILL BE CARRIED OUT BY A COMPETENT PERSON WORKING, WHERE APPROPRIATE, TO AN APPROVED SAFE SYSTEM OF WORK.

Rev	Description	Drawn	Chk'd	Rev'd	App'd	Date
P01	FIRST ISSUE	EH	SW	SW	GJD	27.02.23

This drawing is the property of Scottish Water and must not be copied or used for any purpose other than that for which it is supplied without the written consent of Scottish Water.
Copyright © Scottish Water.

Scottish Water
Trusted to serve Scotland

SCOTTISH WATER
CASTLE HOUSE
6 CASTLE DRIVE
CARNEGIE CAMPUS
DUNFERMLINE
FIFE KY11 8GG
TEL: 0800 0778778

Morrison Construction

Scale	Status	Suitability
AS SHOWN	S1	FOR APPROVAL

Project Title
BALMERINO
OUTFALL REPAIR WORK

Drawing Title
OUTFALL PIPE PLINTH SUPPORT DETAILS

Ellipse Equipment No. xx

Ellipse Plant No. xx Autocode No. 521423

Drawing No. 5214230000-AGO-ZZ-XX-DR-C-0003

REV.
P01