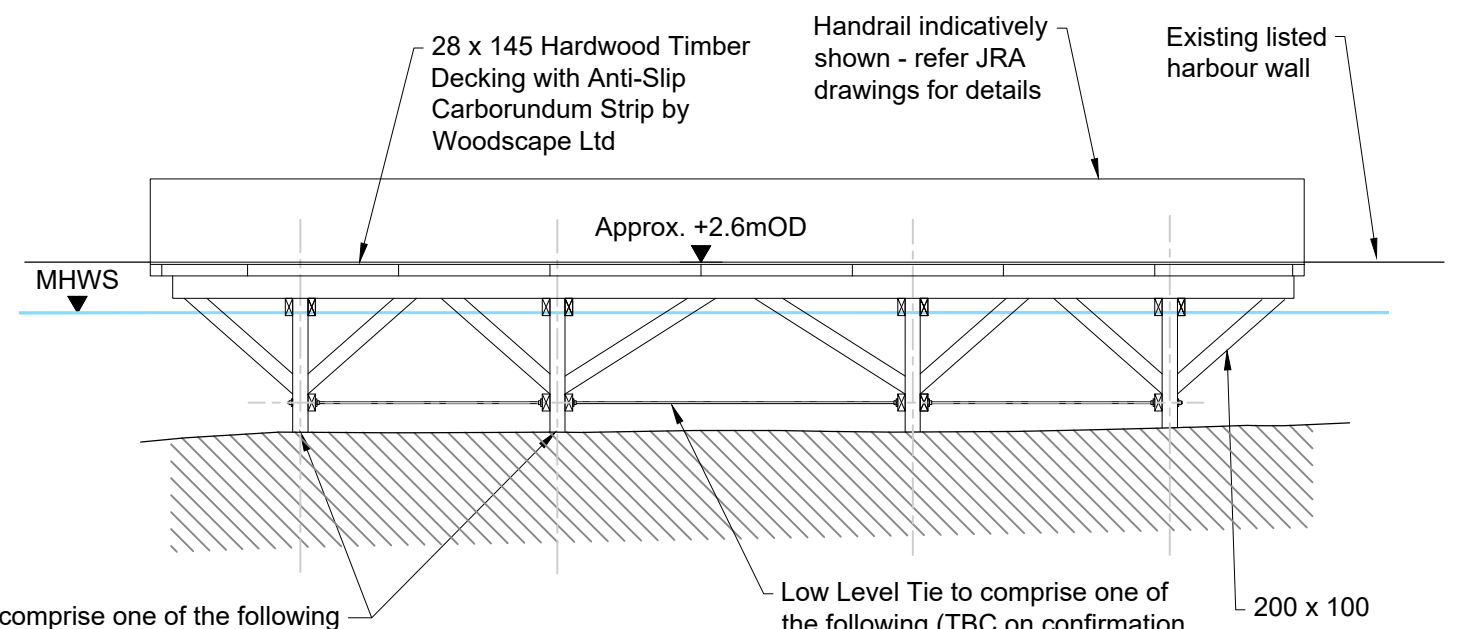
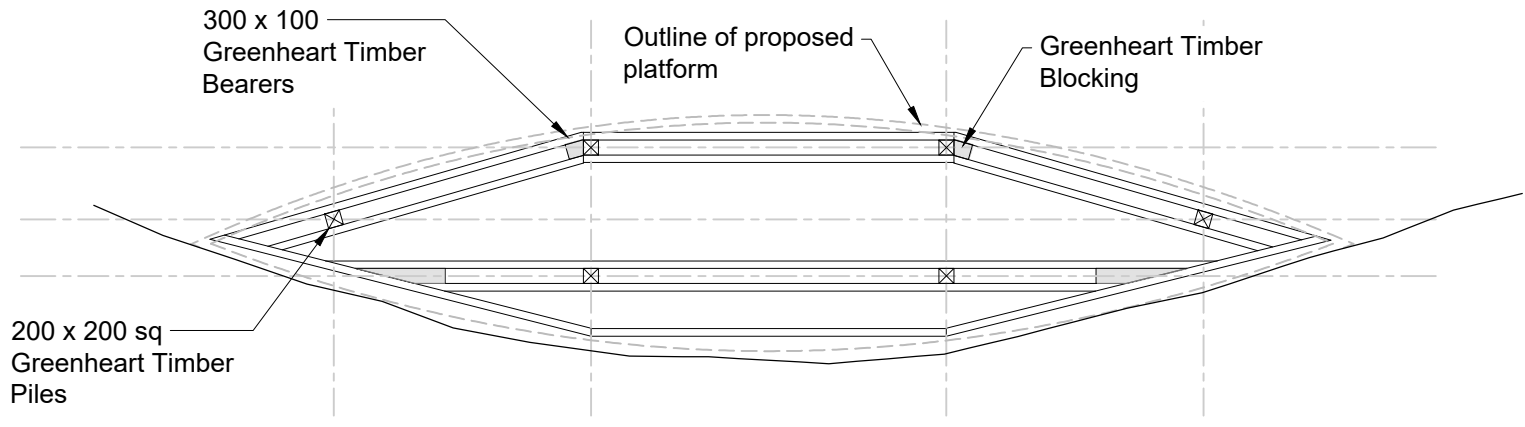


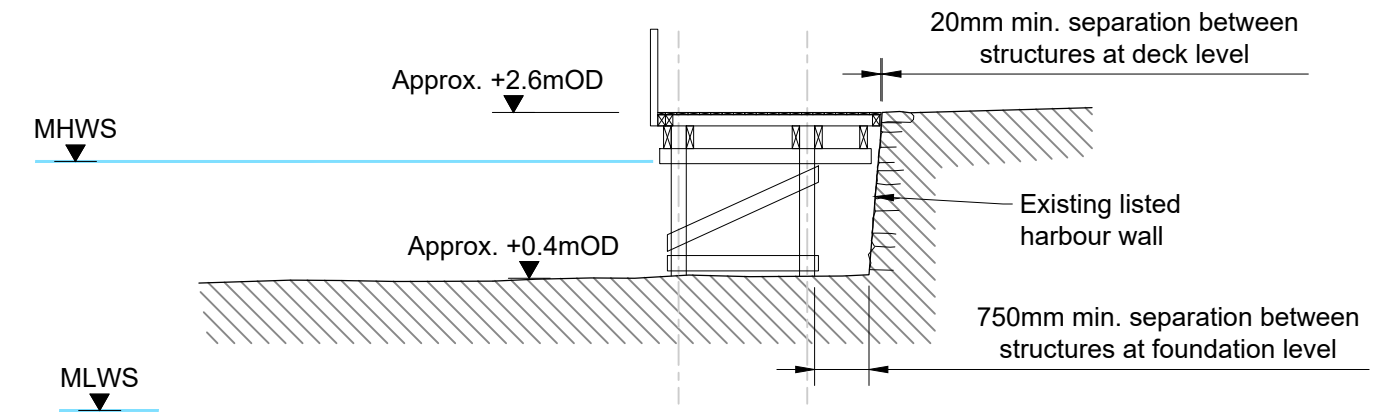
**Pile/Foundation Layout**  
Scale 1:100



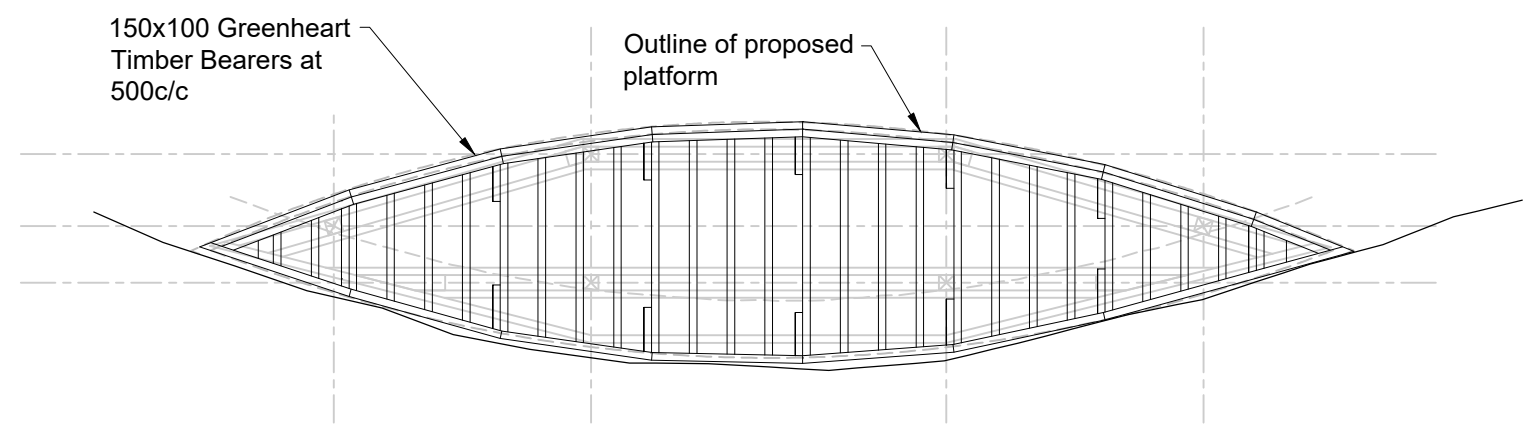
**Seaward Elevation**  
Scale 1:100



**Plan on Primary Members**  
Scale 1:100

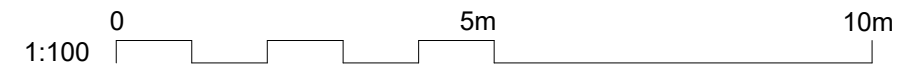


**Section A-A**  
Scale 1:100



**Plan on Secondary Members**  
Scale 1:100

- Notes:**
- Topographic survey March 2024.
  - All levels to Ordnance Datum.
  - All dimensions are in mm unless noted otherwise.



Project <b>Tarbert Harbour Regeneration</b>	Project Ref. 107065	Drawing Number 107065-MMD-01-XX-DR-C-1001	Revision P02
Client Tarbert (Loch Fyne) Harbour Authority	Date 20/05/2024	Status SKETCH	Scale 1:100@A3
			Drawn by LM